



VN	VIETNAM
----	---------

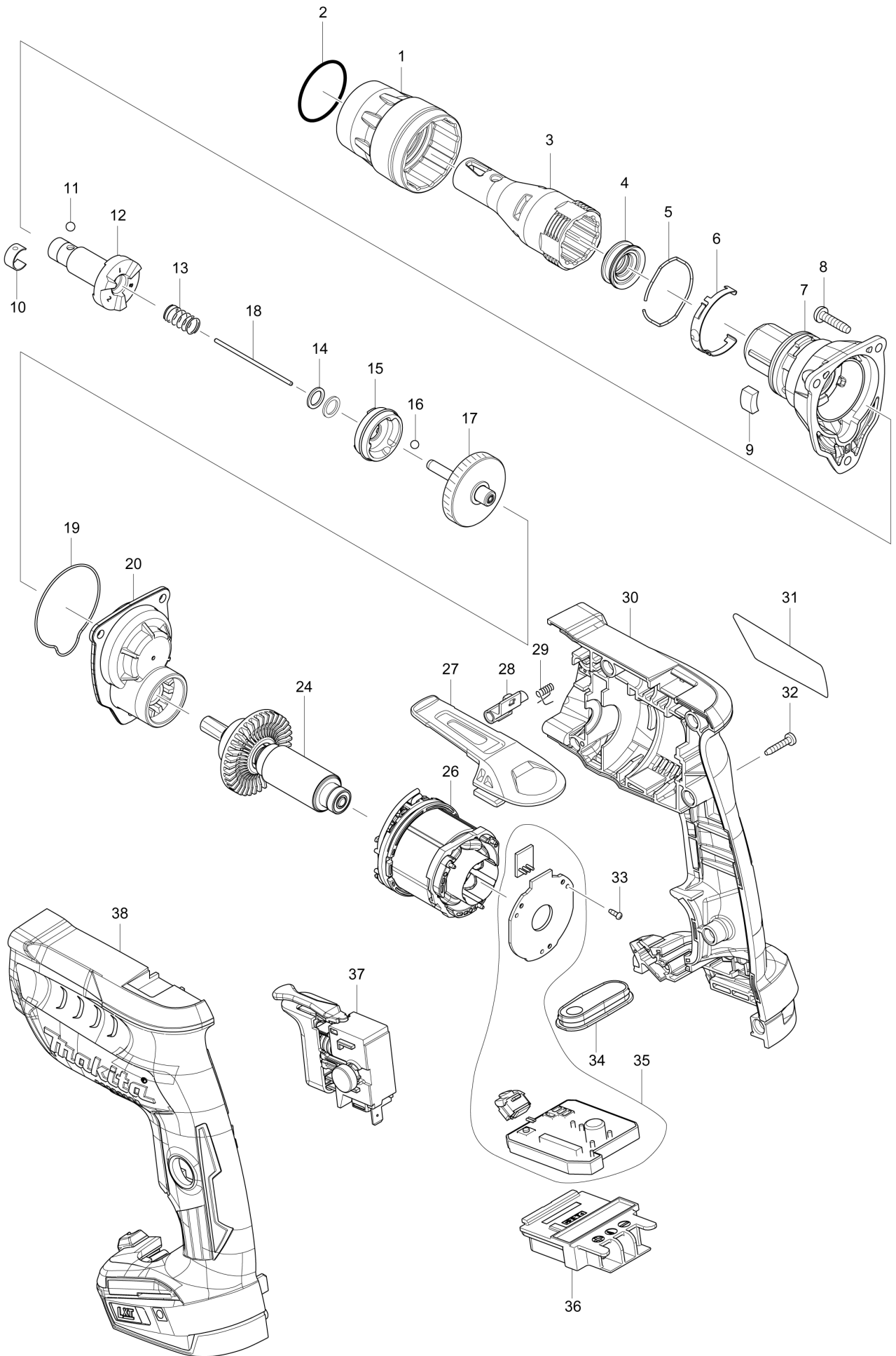
Diagram / Parts List

DFS452

CORDLESS SCREWDRIVER



(VN) DFS452 / CORDLESS SCREWDRIVER



VN	VIETNAM
-----------	----------------

DFS452 / CORDLESS SCREWDRIVER

Item	Sub	Parts No.	Parts Description	Qty	I/C	E/C No.	Close No.	Remark
001		455591-0	LOCK RING	1				
002		424235-3	SEAL RING 30	1				
003		158876-0	LOCATOR L COMPLETE	1				
004		424665-8	DUST SEAL SLEEVE	1				
005		234348-0	RING SPRING 30	1				
006		232245-4	LEAF SPRING	1				
007		142902-5	GEAR HOUSING COMPLETE	1				
	C10	213796-6	OIL SEAL 11	1				
008		265995-6	TAPPING SCREW 4X18	3			C7193	
008-1		265A48-7	TAPPING SCREW 4X18	3	O	C7193		
009		423413-2	RUBBER PLATE	1				
010		232050-9	LEAF SPRING	1				
011		216001-0	STEEL BALL 3.5	1				
012		142903-3	SPINDLE 125S COMPLETE	1				
013		234121-8	COMPRESSION SPRING 8	1				
014		267202-3	FLAT WASHER 8	2				
015		223181-5	CLUTCH CAM 125S	1				
016		216008-6	STEEL BALL 4	3				
017		142904-1	GEAR COMPLETE	1				
	C10	424663-2	SEAL	1				
018		268325-0	ROD 2	1				
019		424664-0	SEAL RING	1				
020		142909-1	GEAR HOUSING COVER COMPLETE	1				
024		519355-7	ROTOR ASS'Y	1			D4336	
024-1		510472-6	ROTOR ASS'Y	1	O	D4336	D5555	
024-2		519664-4	ROTOR ASS'Y	1	O	D5555		
026		629135-4	STATOR	1				
027		162272-6	HOOK	1				
028		142908-3	LEVER COMPLETE	1			C7675	
028-1		140M84-5	LEVER COMPLETE	1	<	C7675		
029		233619-2	TORSION SPRING 3	1				
030		187993-9	HOUSING SET	1				
	C10	263005-3	RUBBER PIN 6	2				
	D10		INC. 38					
031		850H34-9	DFS452 NAME PLATE	1				
032		266130-9	TAPPING SCREW BIND PT 3X16	7				
033		266490-9	TAPPING SCREW PT 2X6	3				
034		142905-9	SWITCH PLATE COMPLETE	1				
035		620349-8	CONTROLLER	1			Y07276	
035-1		620360-0	CONTROLLER COMPLETE	1	S	Y07276		
	D10		INC. 36			Y07276		
036		643860-3	TERMINAL	1			Y07276	
036-1		643860-3	TERMINAL	1	O	Y07276		
037		650733-3	SWITCH C3JW-4B-2L	1				
038		187993-9	HOUSING SET	1				
	C10	263005-3	RUBBER PIN 6	2				
	D10		INC. 30					
039		850H36-5	DFS452 SERIAL NO. LABEL	1				
A01		266622-8	+ TRUSS HEAD SCREW M4X12	1				
A02		346317-0	HOOK	1				
A03		784261-7	+BIT 2-25	2				
A04		784812-6	MAGNETIC BIT HOLDER 6.35-76	1				
A05B		450128-8	BATTERY COVER	1				
A05C		450128-8	BATTERY COVER	1				
A06B		***DC18RC	DC18RC FAST CHARGER	1				
A06C		***DC18RC	DC18RC FAST CHARGER	1				
A07B		194204-5	BATTERY BL1830 SET	2			A5588	
A07-1B		194204-5	BATTERY BL1830 SET	2	O	A5588	B2535	
A07-1C		196399-0	BATTERY BL1840 SET	2				
A07-2B		197600-6	BATTERY BL1830B SET	2	<	B2535	C4176	
A07-3B		197600-6	BATTERY BL1830B SET	2	O	C4176		
A08B		821645-9	PLASTIC CARRYING CASE	1				
	C10	162315-4	LATCH	2				
	C20	452137-3	HANDLE	1				
A08C		821645-9	PLASTIC CARRYING CASE	1				

B:DFS452RFE(H)
C:DFS452RME(H)

Interchange
O : Yes
X : No
< : the new part can be substituted for the current.
> : the current part can be substituted for the new.
S : Interchangeable as a set.

