



VN	VIETNAM
----	---------

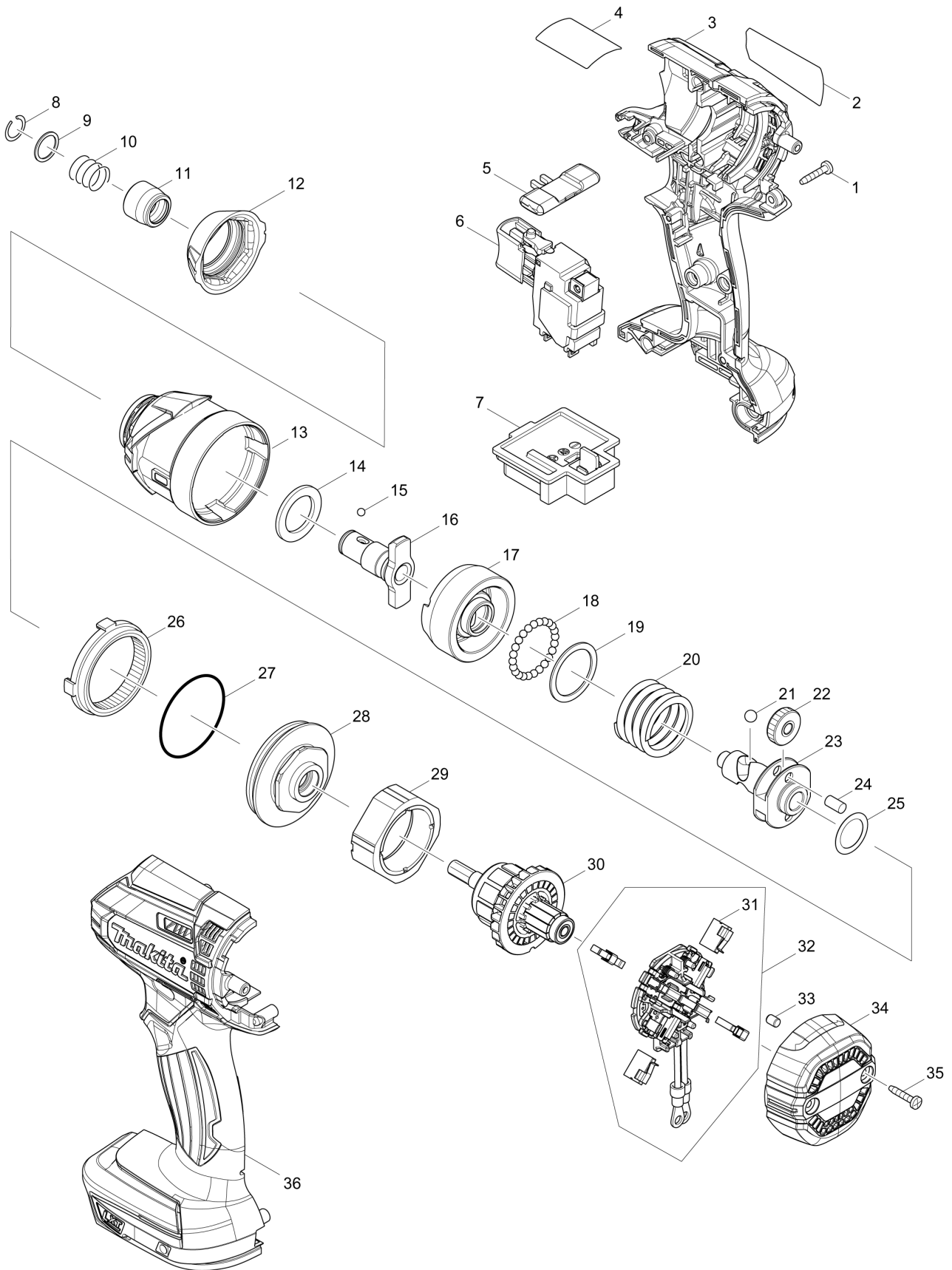
Diagram / Parts List

DTD152

CORDLESS IMPACT DRIVER



(VN) DTD152 / CORDLESS IMPACT DRIVER



VN	VIETNAM
-----------	----------------

DTD152 / CORDLESS IMPACT DRIVER

Item	Sub	Parts No.	Parts Description	Qty	I/C	E/C No.	Close No.	Remark
001		266429-2	TAPPING SCREW 3X16	8				
002		851E29-7	DTD152 NAME PLATE	1				
003		183B63-4	HOUSING SET	1				
	C10	263005-3	RUBBER PIN 6	2				
	D10		INC. 36					
005		455053-8	F/R CHANGE LEVER	1				
006		650751-1	SWITCH TG573FSB-8V	1				
	C10	620445-2	LED CIRCUIT	1				
007		643852-2	TERMINAL	1				
008		231951-8	RING SPRING 11	1				
009		267085-1	FLAT WASHER 12	1				
010		233005-7	COMPRESSION SPRING 13	1				
011		326072-0	BIT SLEEVE	1				
012		424738-7	BUMPER	1				
013		143299-5	HAMMER CASE COMPLETE	1				
014		261151-6	NYLON WASHER 19	1				
015		216040-0	STEEL BALL 3.5	2				
016		326576-2	ANVIL N	1				
017		326564-9	HAMMER	1				
018		216040-0	STEEL BALL 3.5	24				
019		267175-0	FLAT WASHER 24	1				
020		234251-5	COMPRESSION SPRING 25	1				
021		216041-8	STEEL BALL 5.6	2				
022		227362-3	SPUR GEAR 22	2				
023		326562-3	SPINDLE	1				
024		256253-1	PIN 5	2				
025		253314-8	THIN WASHER 15	1				
026		227378-8	INTERNAL GEAR 51	1				
027		213507-9	O RING 40	1				
028		143298-7	BEARING BOX COMPLETE	1				
029		638396-5	YOKE UNIT	1			B8922	
029-1		632F93-1	YOKE UNIT	1	<	B8922		
030		619377-8	ARMATURE	1				
031		196855-0	CARBON BRUSH CB-448	2				
032A		632F25-8	BRUSH HOLDER COMPLETE	1			A9981	
	C10	688172-7	LINE FILTER	1			A9981	
	C20	654037-5	INSULATED TERM. FT1.25-M3	2			A9981	
	D10		INC. 31				A9981	
032B		632F25-8	BRUSH HOLDER COMPLETE	1			A9981	
	C10	688172-7	LINE FILTER	1			A9981	
	C20	654037-5	INSULATED TERM. FT1.25-M3	2			A9981	
	D10		INC. 31				A9981	
032C		632F25-8	BRUSH HOLDER COMPLETE	1			A9981	
	C10	688172-7	LINE FILTER	1			A9981	
	C20	654037-5	INSULATED TERM. FT1.25-M3	2			A9981	
	D10		INC. 31				A9981	
032-1A		632F23-2	BRUSH HOLDER COMPLETE	1	X	A9981		
	D10		INC. 31			A9981		
032-1B		632F23-2	BRUSH HOLDER COMPLETE	1	X	A9981		
	D10		INC. 31			A9981		
032-1C		632F23-2	BRUSH HOLDER COMPLETE	1	X	A9981		
	D10		INC. 31			A9981		
032-1D		632F23-2	BRUSH HOLDER COMPLETE	1				
	D10		INC. 31					
033		263032-0	RUBBER PIN 4	4				
034		456044-2	REAR COVER	1				
035		266429-2	TAPPING SCREW 3X16	2				
036		183B63-4	HOUSING SET	1				
	C10	263005-3	RUBBER PIN 6	2				
	D10		INC. 3					
A01A		346317-0	HOOK	1				
A01B		346317-0	HOOK	1				
A01C		346449-3	HOOK	1				
A01D		346317-0	HOOK	1				
A02		266622-8	+ TRUSS HEAD SCREW M4X12	1				

A:DTD152RME(H)
 B:DTD152Z(N)
 C:DTD152RAE(H)
 D:DTD152RFE(H)

Interchange
 O : Yes
 X : No
 < : the new part can be substituted for the current.
 > : the current part can be substituted for the new.
 S : Interchangeable as a set.

