



| | |
|----|---------|
| VN | VIETNAM |
|----|---------|

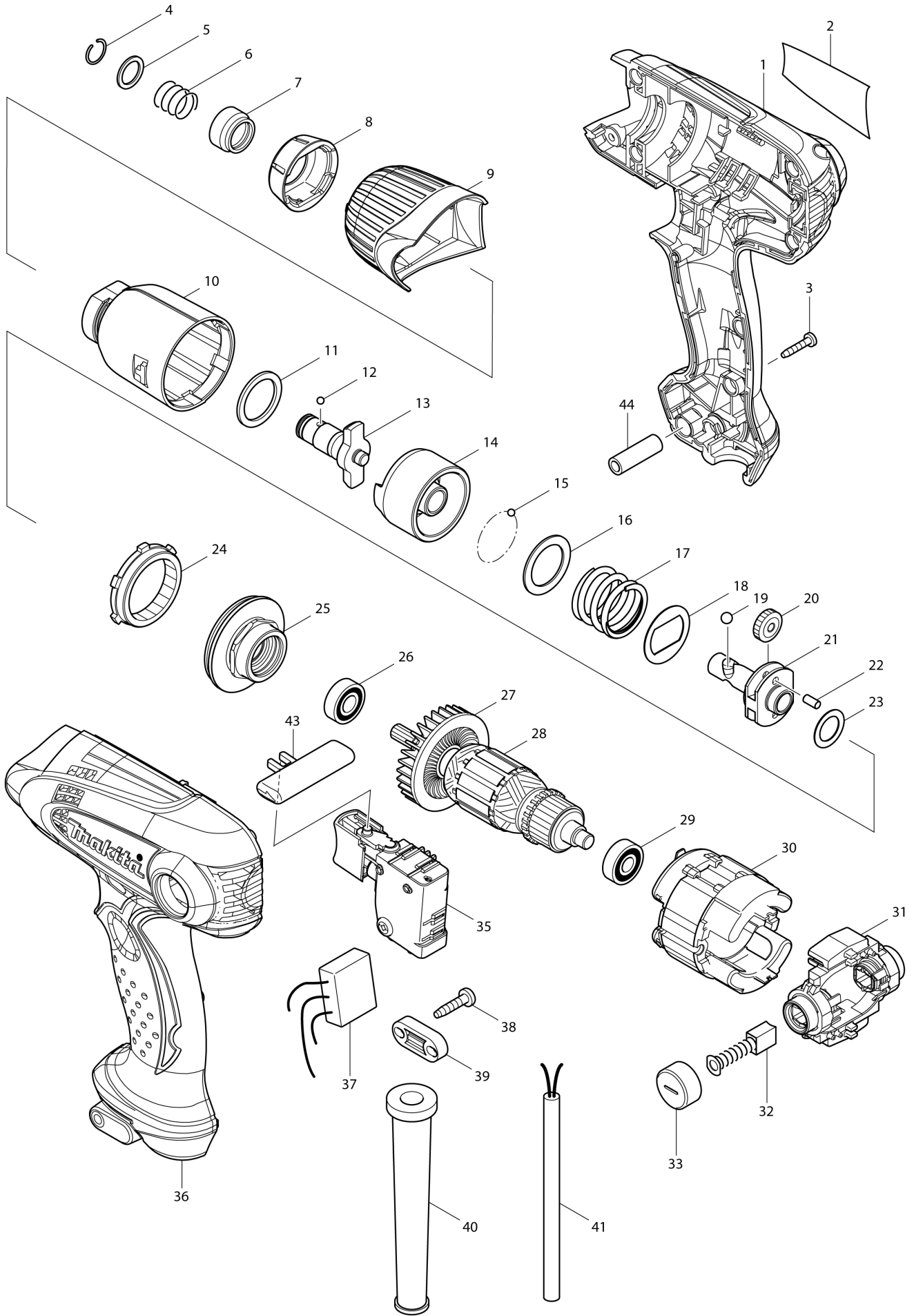
Diagram / Parts List

TD0101

IMPACT DRIVER



(VN) TD0101 / IMPACT DRIVER



| | |
|-----------|----------------|
| VN | VIETNAM |
|-----------|----------------|

TD0101 / IMPACT DRIVER

| Item | Sub | Parts No. | Parts Description | Qty | I/C | E/C No. | Close No. | Remark |
|-------|-----|-----------|------------------------------|-----|-----|---------|-----------|--------|
| 001 | | 188662-5 | HOUSING SET | 1 | | | | |
| | C10 | 263002-9 | RUBBER PIN 4 | 4 | | | | |
| | D10 | | INC. 36 | | | | | |
| 002 | | 866402-8 | TD0101 NAME PLATE | 1 | | | | |
| 003 | | 266429-2 | TAPPING SCREW 3X16 | 8 | | | | |
| 004 | | 231965-7 | RING SPRING 10 | 1 | | | | |
| 005 | | 267143-3 | FLAT WASHER 11 | 1 | | | | |
| 006 | | 233005-7 | COMPRESSION SPRING 13 | 1 | | | | |
| 007 | | 324711-6 | BIT SLEEVE | 1 | | | | |
| 008 | | 424184-4 | BUMPER | 1 | | | 89230 | |
| 008-1 | | 424376-5 | BUMPER | 1 | S | 89230 | | |
| 009 | | 450976-5 | HAMMER CASE COVER | 1 | | | 89230 | |
| 009-1 | | 452440-2 | HAMMER CASE COVER | 1 | S | 89230 | | |
| 010 | | 158898-0 | HAMMER CASE COMPLETE | 1 | | | | |
| | C10 | 213166-9 | O RING 12.5 | 1 | | | | |
| | C20 | 253798-0 | FLAT WASHER 13 | 1 | | | | |
| | C30 | 257776-2 | SLEEVE 12 | 1 | | | | |
| 011 | | 261140-1 | NYLON WASHER 20 | 1 | | | | |
| 012 | | 216019-1 | STEEL BALL 3 | 2 | | | | |
| 013 | | 325618-9 | ANVIL N | 1 | | | A8679 | |
| 013-1 | | 326629-7 | ANVIL N | 1 | O | A8679 | | |
| 014 | | 324894-2 | HAMMER | 1 | | | | |
| 015 | | 216019-1 | STEEL BALL 3 | 24 | | | | |
| 016 | | 267380-9 | FLAT WASHER 20 | 1 | | | | |
| 017 | | 234096-1 | COMPRESSION SPRING 21 | 1 | | | | |
| 018 | | 267813-4 | WASHER 21 | 1 | | | | |
| 019 | | 216002-8 | STEEL BALL 4.8 | 2 | | | | |
| 020 | | 227213-0 | SPUR GEAR 17 | 2 | | | | |
| 021 | | 324897-6 | SPINDLE | 1 | | | | |
| 022 | | 268217-3 | PIN 3.5 | 2 | | | | |
| 023 | | 253052-2 | FLAT WASHER 12 | 1 | | | | |
| 024 | | 227215-6 | INTERNAL GEAR 43 | 1 | | | | |
| 025 | | 158899-8 | BEARING BOX COMPLETE | 1 | | | | |
| | C10 | 210112-3 | BALL BEARING 6801LLB | 1 | | | D4206 | |
| | C11 | 210242-0 | BALL BEARING 6801LLB | 1 | O | D4206 | | |
| | C20 | 213325-5 | O RING 19 | 1 | | | | |
| 026 | | 210013-5 | BALL BEARING 698VV | 1 | | | | |
| 027 | | 240046-6 | FAN 46 | 1 | | | | |
| 028 | | 517653-3 | ARMATURE ASSY 220V | 1 | | | | |
| | D10 | | INC. 26,27,29 | | | | | |
| 029 | | 210062-2 | BALL BEARING 607ZZ | 1 | | | | |
| 030 | | 635108-7 | FIELD 220V | 1 | | | | |
| 031 | | 638643-4 | HOLDER ARM COMPLETE | 1 | | | | |
| | C10 | 643981-1 | BRUSH HOLDER 6X9 | 2 | | | | |
| 032 | | B-80167 | CARBON BRUSH SET CB-411A | 1 | | | 85070 | |
| 032-1 | | B-80391 | CARBON BRUSH SET CB-411A | 1 | < | 85070 | | |
| 033 | | 643928-5 | BRUSH HOLDER CAP | 2 | | | | |
| 035 | | 650613-3 | SWITCH C3TA | 1 | | | | |
| 036 | | 188662-5 | HOUSING SET | 1 | | | | |
| | C10 | 263002-9 | RUBBER PIN 4 | 4 | | | | |
| | D10 | | INC. 1 | | | | | |
| 038 | | 266326-2 | TAPPING SCREW 4X18 | 2 | | | | |
| 039 | | 687124-5 | STRAIN RELIEF | 1 | | | | |
| 040 | | 682559-5 | CORD GUARD 8 | 1 | | | | |
| 041 | | 691065-9 | POWER SUPPLY CORD 0.75-2-2.5 | 1 | | | | |
| 043 | | 419250-0 | F/R CHANGE LEVER | 1 | | | | |
| 044 | | 262560-2 | SLEEVE 5 | 1 | | | | |
| A01 | | 784203-1 | PHILLIPS BIT 2-65 | 1 | | | 89859 | |
| A01-1 | | 784203-1 | PHILLIPS BIT 2-65 | 1 | O | 89859 | | |

Interchange
O : Yes
X : No
< : the new part can be substituted for the current.
> : the current part can be substituted for the new.
S : Interchangeable as a set.