



Meson Downlight

59447 MESON 090 5.5W 30K WH recessed TR

The Recessed Meson downlight offers complete range in terms of lumen output and sizes with reliable performance. Available in seven cutout sizes with three CCT options to suit different applications.

Product data

General Information	
Light source color	830 warm white
Light source replaceable	No
Number of gear units	1 unit
Driver/power unit/transformer	Power supply unit
Driver included	Yes
Optic type	Wide beam
Luminaire light beam spread	110°
Cable	Cable without plug 2-pole
Protection class IEC	Safety class II
Glow-wire test	Temperature 650 °C, duration 30 s
Flammability mark	For mounting on normally flammable surfaces
CE mark	CE mark
Warranty period	1 years
Constant light output	No
EU RoHS compliant	Yes
Operating and Electrical	
Input Voltage	220 to 240 V
Input Frequency	50 or 60 Hz
Inrush time	0.3 ms
Power Factor (Min)	0.5

Controls and Dimming	
Dimmable	No
Mechanical and Housing	
Housing Material	Plastic
Reflector material	-
Optic material	Polycarbonate
Optical cover/lens material	Polycarbonate
Fixation material	Steel
Optical cover/lens finish	Opal
Overall height	45.5 mm
Overall diameter	105 mm
Color	White
Dimensions (Height x Width x Depth)	46 x NaN x NaN mm (1.8 x NaN x NaN in)
Approval and Application	
Ingress protection code	IP20 [Finger-protected]
Mech. impact protection code	IK03 [0.3 J]
Initial Performance (IEC Compliant)	
Initial luminous flux (system flux)	350 lm
Luminous flux tolerance	+/-10%
Initial LED luminaire efficacy	63.00 lm/W
Init. Corr. Color Temperature	3000 K

Meson Downlight

Init. Color Rendering Index	80
Initial chromaticity	(IEC3000K, 0.44, 0.403) 6
Initial input power	5.5 W
Power consumption tolerance	+/-10%

Over Time Performance (IEC Compliant)

Median useful life L70B50	15000 h
---------------------------	---------

Application Conditions

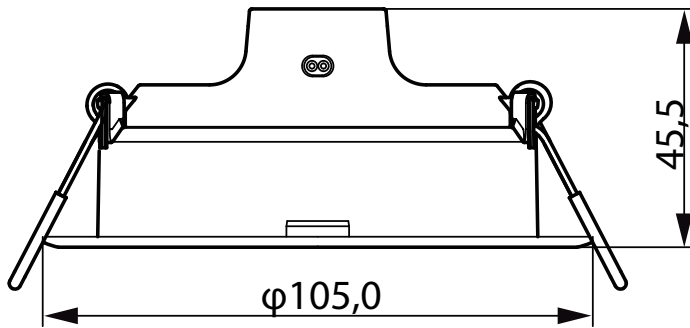
Ambient temperature range	-20 to +40 °C
Suitable for random switching	Not applicable

Product Data

Full product code	871951441469300
Order product name	59447 MESON 090 5.5W 30K WH recessed TR
EAN/UPC - Product	8719514414693
Order code	929003192102
Numerator - Quantity Per Pack	1
Numerator - Packs per outer box	12
Material Nr. (12NC)	929003192102
Net Weight (Piece)	0.057 kg

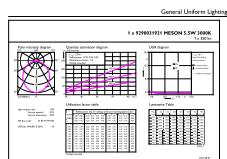


Dimensional drawing

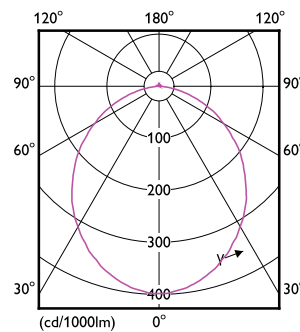


59447 MESON 090 5W 30K SLR TR

Photometric data



© 2021 Philips Lighting B.V. All rights reserved. Page 1 of 10



Downlight 59447 MESON 090 30K WH Recessed TR-GUL

Downlight 59447 MESON 090 30K WH Recessed TR-LDD

Meson Downlight

