

DAM3-96

Digital Threephase Ammeter

General Description

The DAM3 meter is designed to monitor three phase currents of 3P network at the same time. It helps to check three phase current status and find unbalance currents between phases.

Measurement

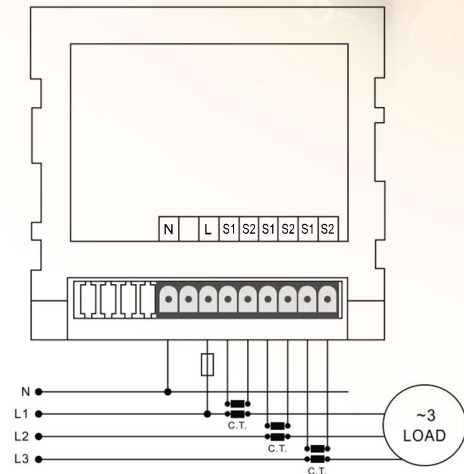
| | |
|---------------------|---|
| Measuring Range | |
| Current Meas. Range | 100mA ~ 5.5A AC; 10/5A ~ 9995/5A (... x5) |

Specifications

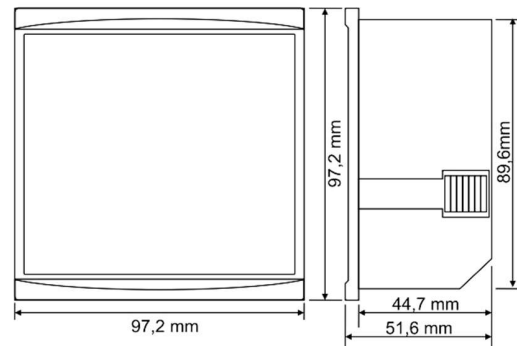
| | |
|-----------------------|--------------------------|
| Operating Voltage(Un) | 150V ~ 270V AC or 110VAC |
| Operating Frequency | 50/60Hz. |
| Operating Power | <6VA |
| Operating Temperature | -20°C ~ 55°C |
| Current Meas. Range | 100mA ~ 5.5A AC |
| Current Transformer | 5/5A ~ 9995/5A (...x5) |
| Measurement Precision | ±%1 |
| Display | 3x4 digit 14mm display |
| Connection Type | Plug-in Terminal |
| Cable Diameter | 1.5mm ² |
| Weight | <220gr. |
| Panel Hole Sizes | 91mm x 91mm |
| Mounting | Front panel mounted. |
| Operating Altitude | <2000 meter |



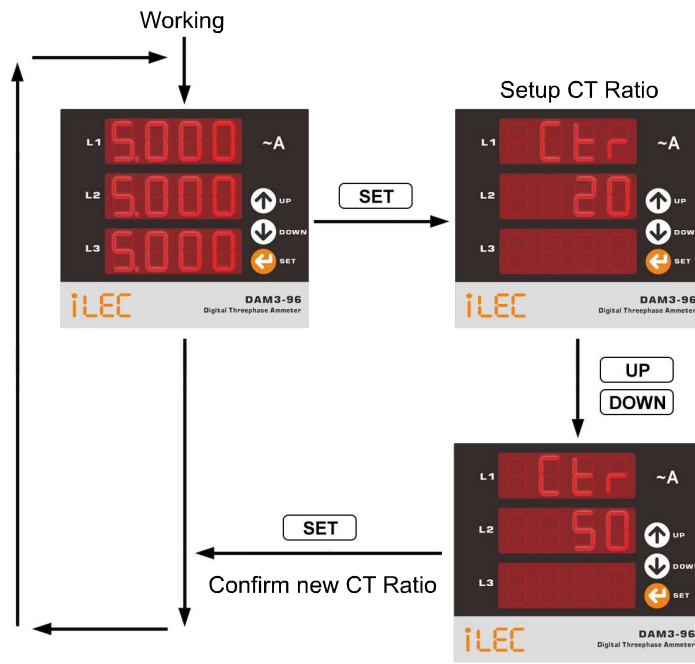
Connection diagram



Dimension



Setup CT Ratio



50 for 50/5A

