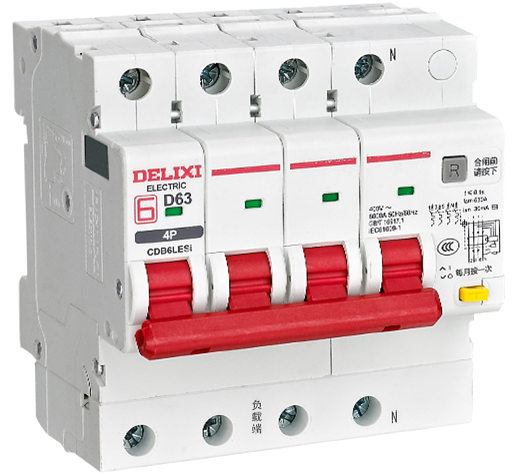
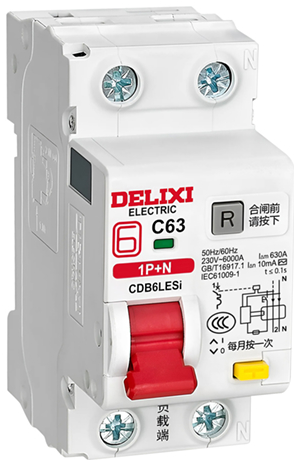


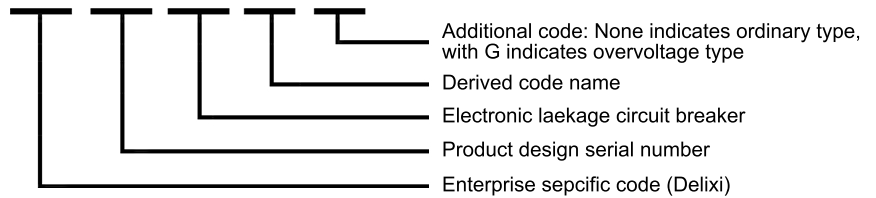
FUNCTION and FEATURES

CDB6LESi Small leakage protection circuit breaker



Product code detail - RCBO model CDB6LESi

CD B6 LE Si □



| Product name | Breaking capacity | Incoming line method | Number of poles | Trip type | Rated current | Residual current | Other functions |
|--------------|---------------------------|-------------------------|--|--|--|--|---|
| CDB6LESi | □ | □ | 1 | C | 6 | □ | □ |
| CDB6LESi | Default : 6kA H : 10kA | Default : Top line | 1 : 1P+N 2 : 2P 3 : 3P 4 : 4P 6 : 3P+N | B : B type C : C type D : D type | 6 : 6A 10 : 10A 16 : 16A 20 : 20A 25 : 25A 32 : 32A 40 : 40A 50 : 50A 63 : 63A | Default : 30mA R10 : 10mA R50 : 50mA R75 : 75mA R100 : 100mA R300 : 300mA | Default : AC leakage protection, No overvoltage protection A : A Type leakage protection, no overvoltage protection G : AC Leakage protection, overvoltage protection S : Delay |
| CDB6LESi | | X : Lower incoming line | 1 : 1P+N 2 : 2P | | | | |

Comply with standard

GB/T 16917.1 IEC61009-1

Comply with certification

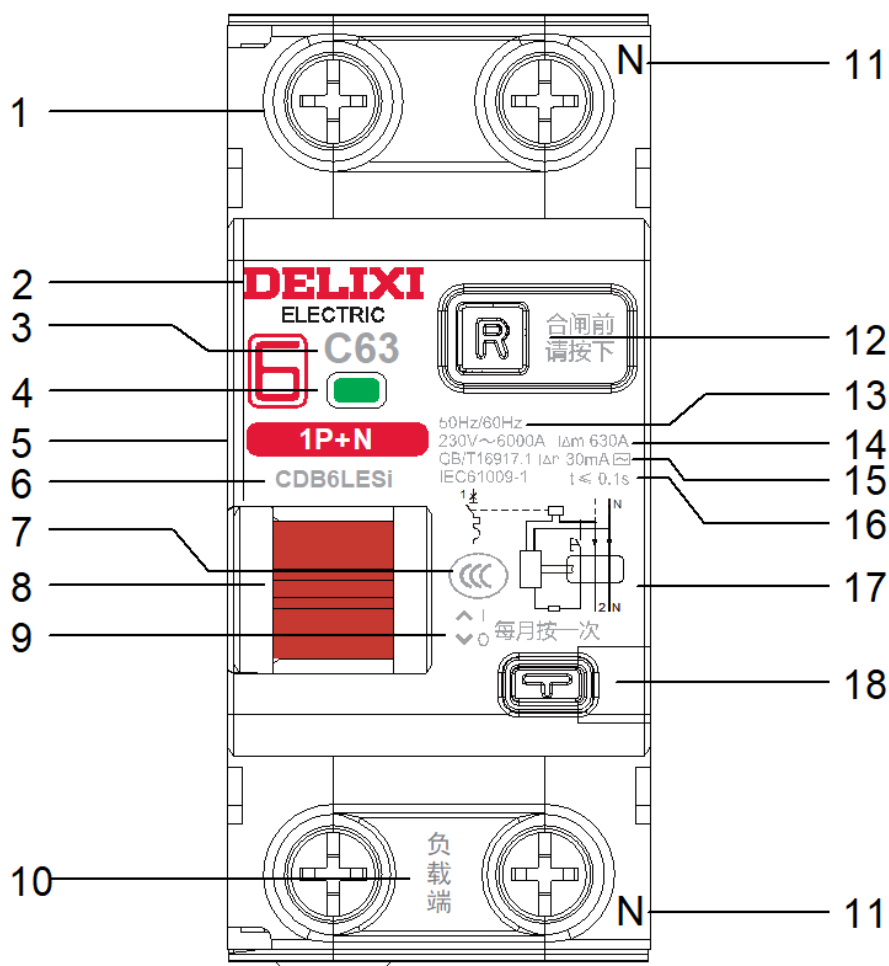


Note : CE certification is only for 2P, 3P, 4P

FUNCTION and FEATURES

CDB6LESi Small leakage protection circuit breaker

Panel introduction



illustrate:

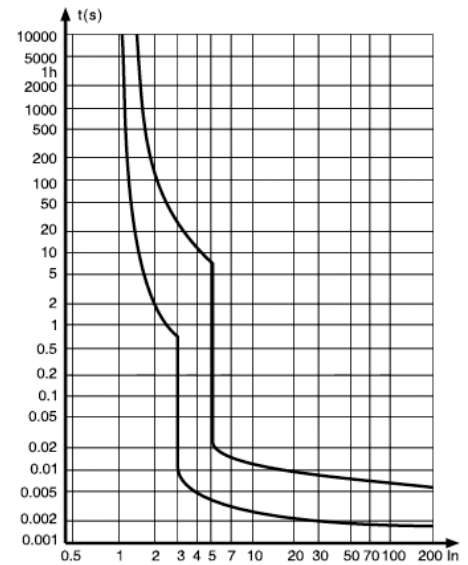
1. Incoming line terminal
2. Company trademark
3. Trip curve and rated current (see Table 1)
4. Closing and opening indicator window
5. Product specifications Rated voltage (see Table 1)
6. Product model (overvoltage model is CDB6LESi G)
7. Certification mark reference standard
8. Opening and closing handle
9. Opening and closing logo
10. Load end logo, outlet terminal
11. N pole logo
12. Reset button
13. Rated frequency
14. Rated voltage, breaking capacity (see Table 1),
rated residual making and breaking capacity
15. Comply with standards, rated residual action Current
16. Rated action time,
(overvoltage protection parameter is $U_{vo} = (280 \pm 5\%)V$)
17. Wiring diagram
18. Test button

FUNCTION and FEATURES

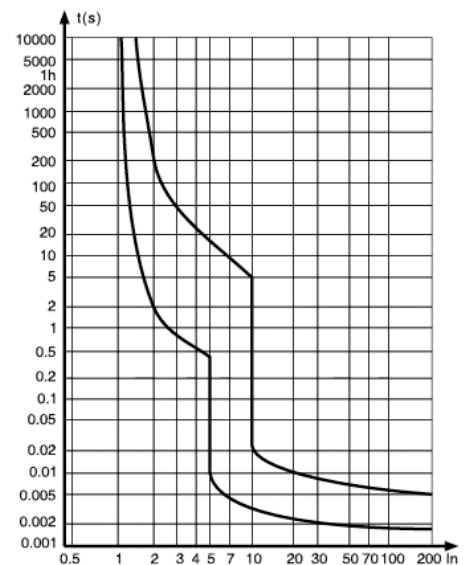
CDB6LESi Small leakage protection circuit breaker

The protection characteristic curve

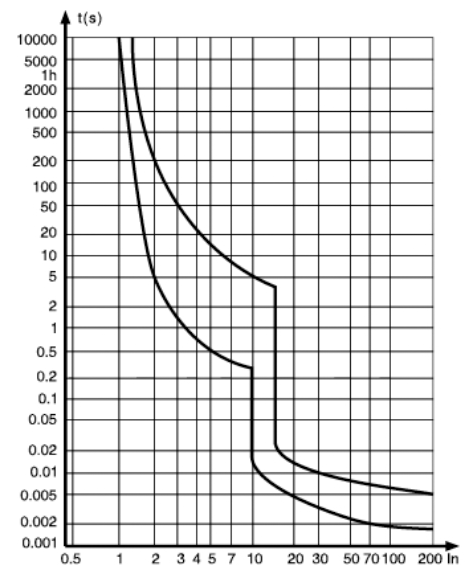
- Figure 1 Type B thermal/electromagnetic tripping characteristic curve



- Figure 2 Type C thermal/electromagnetic tripping characteristic curve



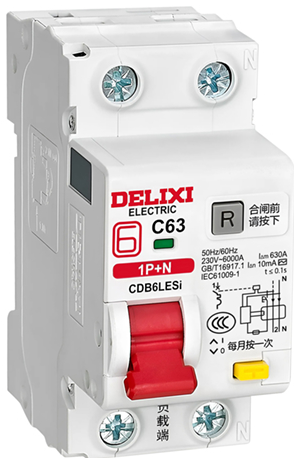
- Figure 3 Type D thermal/electromagnetic tripping characteristic curve



The protection characteristic curves of the circuit breaker are shown in Figure 1, 2, 3

FUNCTION and FEATURES

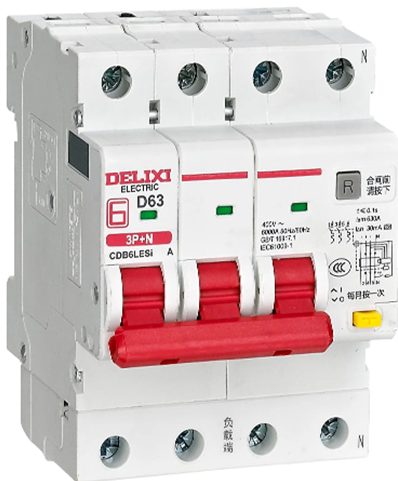
CDB6LESi Small leakage protection circuit breaker



CDB6LESi Small Leakage Protection Circuit Breaker

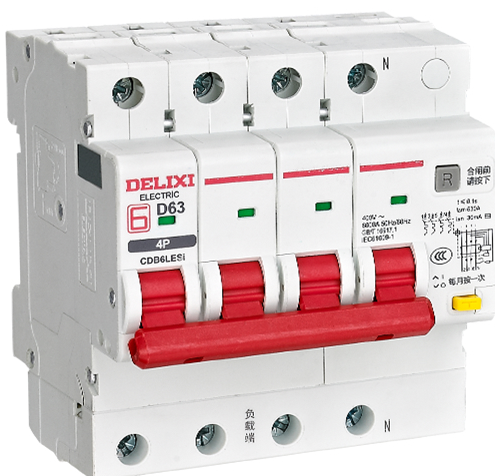
CDB6LESi Small leakage protection circuit breaker has the following functions

- Overload protection
- Leakage protection function
- Overvoltage protection (only for overvoltage models)
- Isolation function



Main Features

| | |
|---------------------------------------|--|
| Rated working voltage (V) | 1P+N,2P : 230 AC 3P,3P+N,4P : 400 AC |
| Rated current (A) | General type : 6~63 S type (Delay type) : 32~63 |
| Rated frequency (Hz) | 50/60 |
| Number of poles | 1P+N,2P,3P,3P+N,4P |
| Breaking capacity (kA) | 6, 10 |
| Rated residual operating current (mA) | General type : 10(1P+N、2P),30,50,75,100,300 S type (delay type) : 50,75,100,300 |
| Leakage protection type | A, AC type |
| Overvoltage protection function (V) | (280±14) VAC (only applicable to 1P+N, 2P) |



Comply with standard

GB/T 16917.1 IEC61009-1

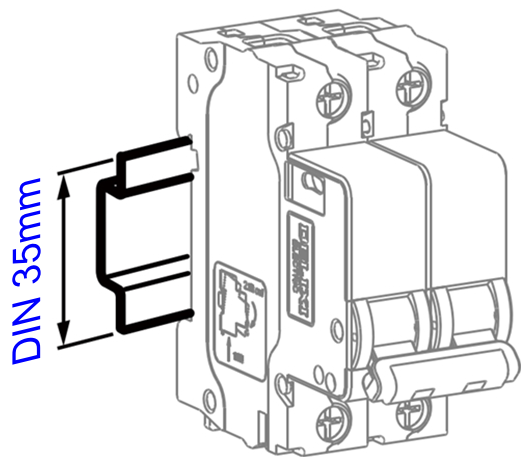
Comply with certification



Note : CE certification is only for 2P, 3P, 4P

FUNCTION and FEATURES

CDB6LESi Small leakage protection circuit breaker



Installed on 35mm standard rail

Electrical characteristics

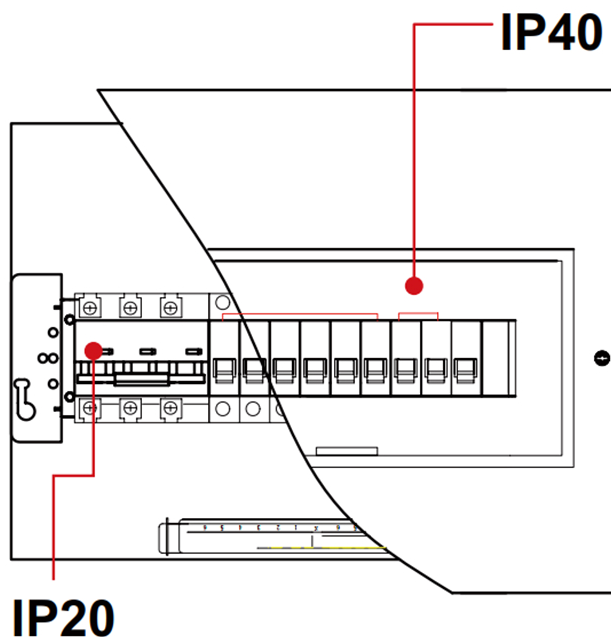
| | |
|--|--|
| Rated insulation voltage U_i (V) | 500 |
| Rated operating voltage U_e (V) | 1P+N,2P: 230 AC 3P,3P+N,4P: 400 AC |
| Rated short circuit capacity I_{cn} (kA) | 6, 10 |
| Rated impulse withstand voltage U_{imp} | 4 |
| Dielectric test voltage | 2kV (50/60Hz,1 minute) |
| Isolation function | Available (1P+N, 3P+N Not available) |
| Leakage protection type | A, AC type |
| Pollution level | 2 |
| Trip form Thermal magnetic | Tripping |

Thermal magnetic tripping characteristic:

| | |
|---------------------------------------|---|
| Type B curve ($3I_n \sim 5I_n$) | ■ |
| C-shaped curve ($5I_n \sim 10I_n$) | ■ |
| D-shaped curve ($10I_n \sim 14I_n$) | ■ |
| Electrical and mechanical accessories | ■ |

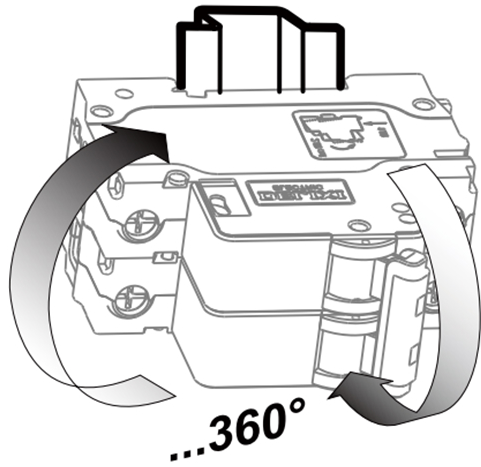
Mechanical properties

| | |
|-------------------------|--|
| Trip indication | * Trip indication CDB6LESi There is a residual current action trip indication on the CDB6LESi. The reset button pops up, which is a leakage trip. |
| Handle | * Red |
| Mechanical life(times) | * 20000 |
| Electrical life (times) | * 10000 |
| Protection level | Installed in distribution box: IP40 Direct installation: IP20 |



FUNCTION and FEATURES

CDB6LESi Small leakage protection circuit breaker



Flexible installation
direction

Heat and moisture resistance (IEC 60068-2)

| | |
|--|--|
| Mechanical shock resistance | 30g, 3 impacts, duration 11ms (where there is no significant vibration or impact) |
| Vibration resistance (IEC/EN 60068-2-6) | Where there is no significant vibration and shock |
| Heat and moisture resistance (IEC 60068-2) | Category 2 , 28 cycles |
| Damp heat (°C/RH) | * When the temperature 55°C, the relative humidity is 90% ~ 96% * When the temperature 25°C , the relative humidity is 95% ~ 100% |
| Reference ambient temperature | 30°C |
| Operating environment temperature (daily average temperature +35°C) | -35°C ~ +70°C |
| Storage temperature | -40°C ~ +85°C |

Installation features

| | |
|-----------------------------|--|
| Terminal form | U Terminal |
| Maximum wiring capacity (A) | 25mm ² |
| Maximum ultimate torque (A) | 2.5 N.m |
| Tool | Phillips screwdriver or slotted screwdriver |
| Install | Mounts on standard DIN rail (35mm) |
| Incoming line method | Upline (all pole numbers) Lower incoming cable (only 1P+N/2P specification products) |

Selection

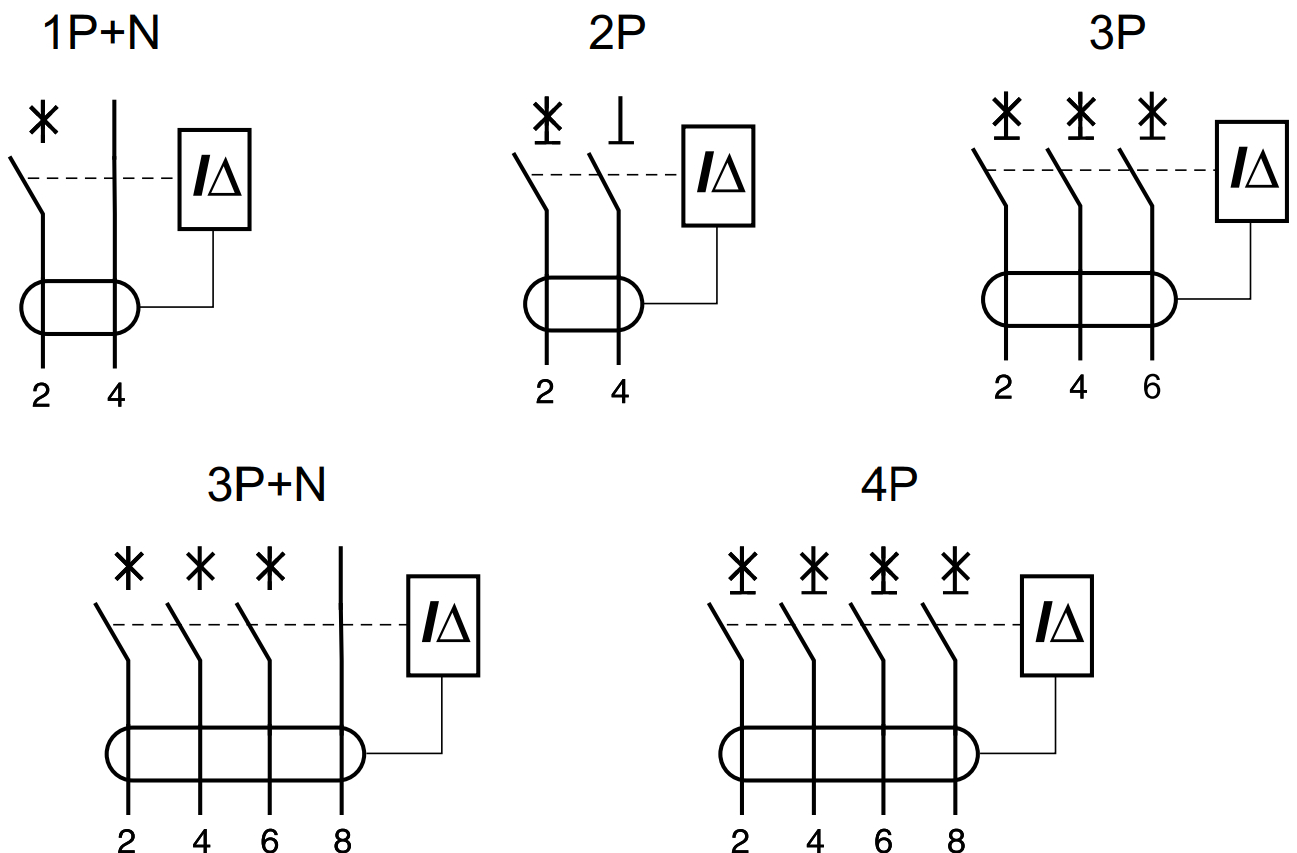
Selections rules and installation

CDB6LESi - Small leakage protection circuit breaker

| Product name | Breaking capacity | Incoming line method | Number of poles | Trip type | Rated current | Residual current | Other functions |
|--------------|---------------------------|-------------------------|--|--|--|--|--|
| CDB6LESi | □ | □ | 1 | C | 6 | □ | □ |
| CDB6LESi | Default : 6kA H : 10kA | Default : Top line | 1 : 1P+N 2 : 2P 3 : 3P 4 : 4P 6 : 3P+N | B : B type C : C type D : D type | 6 : 6A 10 : 10A 16 : 16A 20 : 20A 25 : 25A 32 : 32A 40 : 40A 50 : 50A 63 : 63A | Default : 30mA R10:10mA R50 : 50mA R75 : 75mA R100 : 100mA R300 : 300mA | Default : AC leakage protection, No overvoltage protection A : A Type leakage protection, no overvoltage protection : AC Leakage protection, overvoltage protection S : Delay |
| CDB6LESi | | X : Lower incoming line | 1 : 1P+N 2 : 2P | | | G | |

Note:

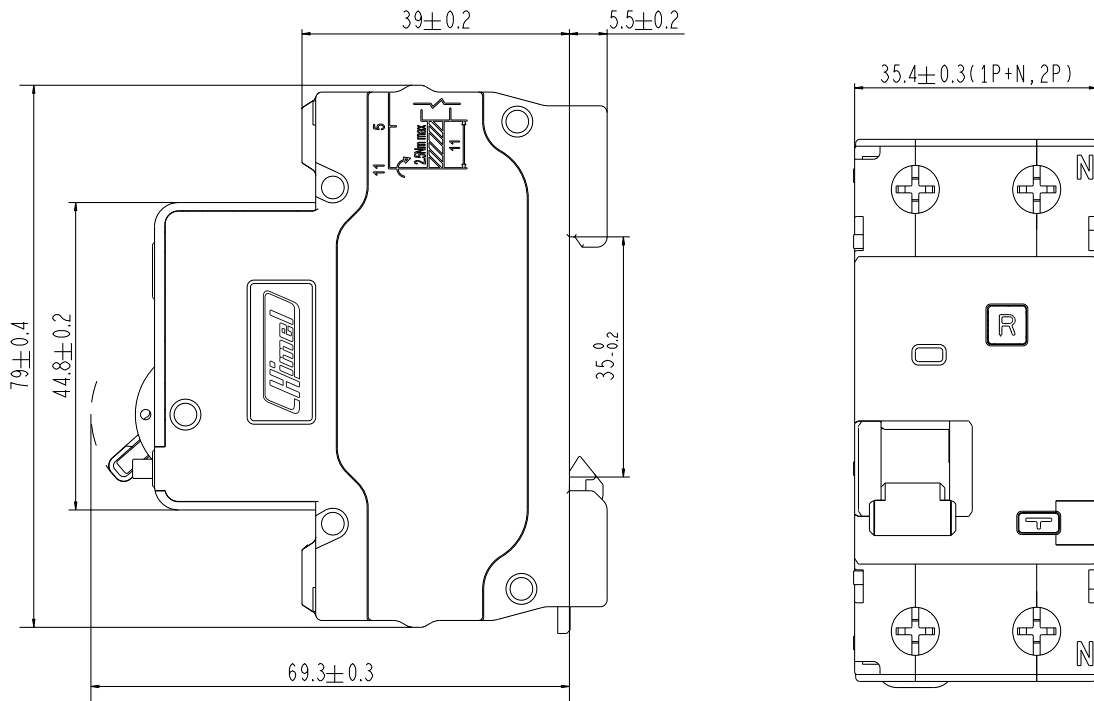
The above are non-RoHS material option rules; if you need to comply with RoHS products, just change the model to CDB6LESi

Wiring Diagram


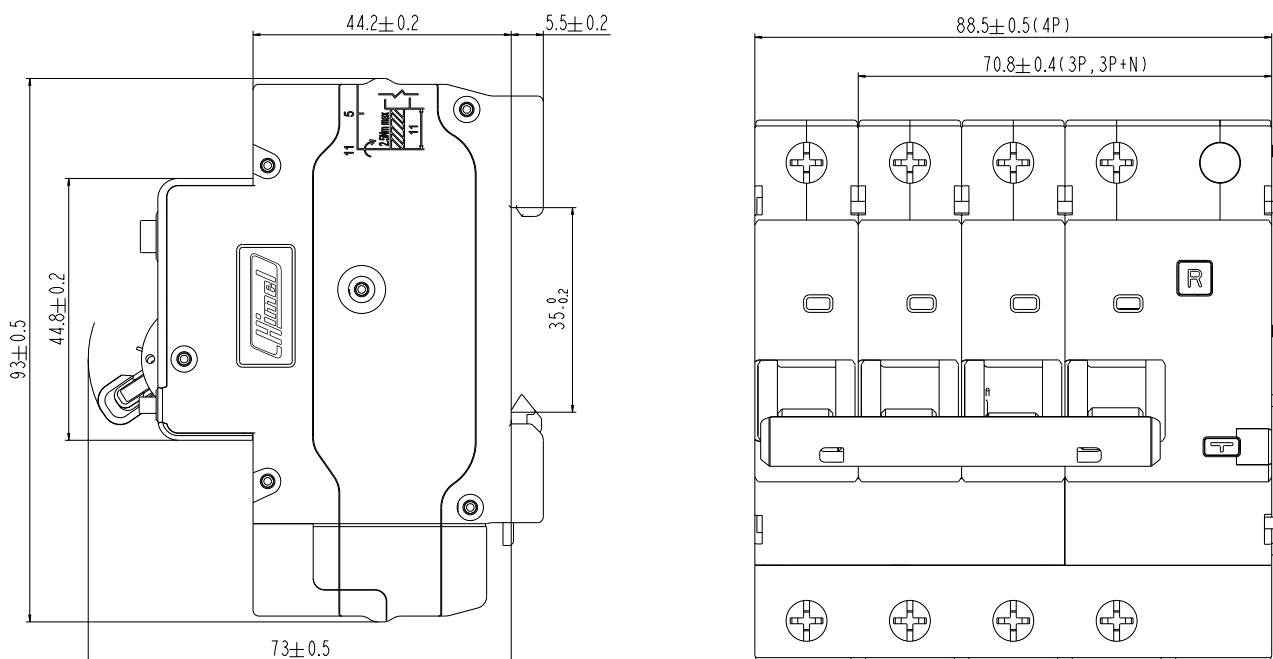
Dimension

Shape and installation dimensions (mm)

1P + N / 2P



3P/3P + N/4P





FUNCTION and FEATURES

CDB6LESi Small leakage protection circuit breaker

| | |
|------------------------------------|---------------------------|
| DELIXI ELECTRIC 德力西电气 | 名称： <u>漏电断路器</u> |
| 合 格 证 | 型号： <u>CDB6LESi</u> |
| | 本产品经检验合格准予出厂。 |
| | 执行标准： <u>GB/T 16917.1</u> |
| 德力西电气有限公司 DELIXI ELECTRIC LTD | 检验员： <u>检06</u> |
| | 出厂日期： <u>见内盒标签</u> |

德力西电气有限公司 DELIXI ELECTRIC LTD

浙江省乐清市柳市镇德力西高科技工业园区邮编：325604

电话：(86-577) 61778888

传真：(86-577) 61778000