



Product designation  
Product type designation

Power contactor  
BF65

**Contact characteristics**

Number of poles	Nr.	3
Rated insulation voltage U <sub>i</sub> IEC/EN	V	1000
Rated impulse withstand voltage U <sub>imp</sub>	kV	8
Operational frequency	min	Hz 25
	max	Hz 400
IEC Conventional free air thermal current I <sub>th</sub>	A	100
Operational current I <sub>e</sub>	AC-1 (≤40°C)	A 100
	AC-1 (≤55°C)	A 80
	AC-1 (≤70°C)	A 70
	AC-3 (≤440V ≤55°C)	A 65
	AC-4 (400V)	A 31
Rated operational power AC-3 (T≤55°C)	230V	kW 18.5
	400V	kW 30
	415V	kW 37
	440V	kW 37
	500V	kW 37
	690V	kW 45
	1000V	kW 30
Rated operational power AC-1 (T≤40°C)	230V	kW 38
	400V	kW 65
	500V	kW 82
	690V	kW 114
IEC max current I <sub>e</sub> in DC1 with L/R ≤ 1ms with 1 poles in series	≤24V	A 50
	48V	A 50
	75V	A 50
	110V	A 8
	220V	A –
IEC max current I <sub>e</sub> in DC1 with L/R ≤ 1ms with 2 poles in series	≤24V	A 70
	48V	A 70
	75V	A 70
	110V	A 60
	220V	A 9
IEC max current I <sub>e</sub> in DC1 with L/R ≤ 1ms with 3 poles in series	≤24V	A 70
	48V	A 70
	75V	A 70

	110V	A	60
	220V	A	90
<hr/>			
IEC max current I <sub>e</sub> in DC1 with L/R ≤ 1ms with 4 poles in series			
	≤24V	A	70
	48V	A	70
	75V	A	70
	110V	A	70
	220V	A	110
<hr/>			
IEC max current I <sub>e</sub> in DC3-DC5 with L/R ≤ 15ms with 1 poles in series			
	≤24V	A	35
	48V	A	25
	75V	A	25
	110V	A	3
	220V	A	–
<hr/>			
IEC max current I <sub>e</sub> in DC3-DC5 with L/R ≤ 15ms with 2 poles in series			
	≤24V	A	45
	48V	A	40
	75V	A	40
	110V	A	30
	220V	A	5
<hr/>			
IEC max current I <sub>e</sub> in DC3-DC5 with L/R ≤ 15ms with 3 poles in series			
	≤24V	A	55
	48V	A	50
	75V	A	50
	110V	A	35
	220V	A	52
<hr/>			
IEC max current I <sub>e</sub> in DC3-DC5 with L/R ≤ 15ms with 4 poles in series			
	≤24V	A	60
	48V	A	60
	75V	A	60
	110V	A	50
	220V	A	65
<hr/>			
Short-time allowable current for 10s (IEC/EN60947-1)		A	640
<hr/>			
Protection fuse			
	gG (IEC)	A	125
	aM (IEC)	A	80
<hr/>			
Making capacity (RMS value)		A	650
<hr/>			
Breaking capacity at voltage			
	440V	A	520
	500V	A	425
	690V	A	376
<hr/>			
Resistance per pole (average value)		mΩ	0.8
<hr/>			
Power dissipation per pole (average value)			
	I <sub>th</sub>	W	8
	AC3	W	3.4
<hr/>			
Tightening torque for terminals			
	min	Nm	4
	max	Nm	5
	min	I <sub>bin</sub>	2.95
	max	I <sub>bin</sub>	3.69
<hr/>			
Tightening torque for coil terminal			
	min	Nm	0.8
	max	Nm	1

	min	I <sub>bin</sub>	0.8
	max	I <sub>bin</sub>	0.74
Max number of wires simultaneously connectable		Nr.	2
Conductor section			
AWG/Kcmil			
	max		2
Flexible w/o lug conductor section			
	min	mm <sup>2</sup>	1.5
	max	mm <sup>2</sup>	35
Flexible c/w lug conductor section			
	min	mm <sup>2</sup>	1.5
	max	mm <sup>2</sup>	35
Power terminal protection according to IEC/EN 60529			IP20 front
<b>Mechanical features</b>			
Operating position			
	normal allowable		Vertical plan ±30°
Fixing			Screw / DIN rail 35mm
Weight		g	1060
Conductor section			
AWG/kcmil conductor section			
	max		2
<b>Operations</b>			
Mechanical life		cycles	15000000
Electrical life		cycles	1400000
<b>Safety related data</b>			
Performance level B10d according to EN/ISO 13489-1			
	rated load	cycles	1400000
	mechanical load	cycles	15000000
Mirror contacts according to IEC/EN 60947-4-1			yes
EMC compatibility			yes
<b>AC coil operating</b>			
Rated AC voltage at 50/60Hz, 60Hz			
	min	V	20
	max	V	48
Rated AC voltage at 50/60Hz		V	24
AC operating voltage			
of 50/60Hz coil powered at 50Hz			
pick-up			
	min	%Us	85 Us min
drop-out			
	max	%Us	≤70 Us min
of 50/60Hz coil powered at 60Hz			
pick-up			
	min	%Us	85 Us min
	max	%Us	110 Us max
drop-out			
	max	%Us	≤70 Us min
AC average coil consumption at 20°C			
of 50/60Hz coil powered at 50Hz			
	in-rush	VA	35...120
	holding	VA	1.5...3.7

of 50/60Hz coil powered at 60Hz

	in-rush	VA	35...120
	holding	VA	1.5...3.7
Dissipation at holding ≤20°C 50Hz		W	1...2.5
<b>DC coil operating</b>			
DC rated control voltage	min	V	20
	max	V	48
DC rated control voltage		V	24
DC operating voltage			
pick-up	min	%Us	80 Us min
	max	%Us	110 Us max
drop-out	max	%Us	≤70 Us min
Average coil consumption ≤20°C	in-rush	W	23...68
	holding	W	1.2...1,9
<b>Max cycles frequency</b>			
Mechanical operation		cycles/h	1500
<b>Operating times</b>			
Average time for Us control			
in AC			
Closing NO	min	ms	12
	max	ms	28
Opening NO	min	ms	8
	max	ms	22
in DC			
Closing NO	min	ms	40
	max	ms	85
Opening NO	min	ms	20
	max	ms	55
<b>UL technical data</b>			
Full-load current (FLA) for three-phase AC motor	at 480V	A	65
	at 600V	A	62
Yielded mechanical performance			
for three-phase AC motor	200/208V	HP	20
	220/230V	HP	25
	460/480V	HP	50
	575/600V	HP	60
General USE			
Contactor	AC current	A	100
Short-circuit protection fuse, 600V			
High fault	Short circuit current	kA	100
	Fuse rating	A	200
	Fuse class	J	

Standard fault

Short circuit current	kA	10
Fuse rating	A	200
Fuse class		RK5

Ambient conditions

Temperature

Operating temperature

min	°C	-40
max	°C	70

Storage temperature

min	°C	-50
max	°C	80

Max altitude

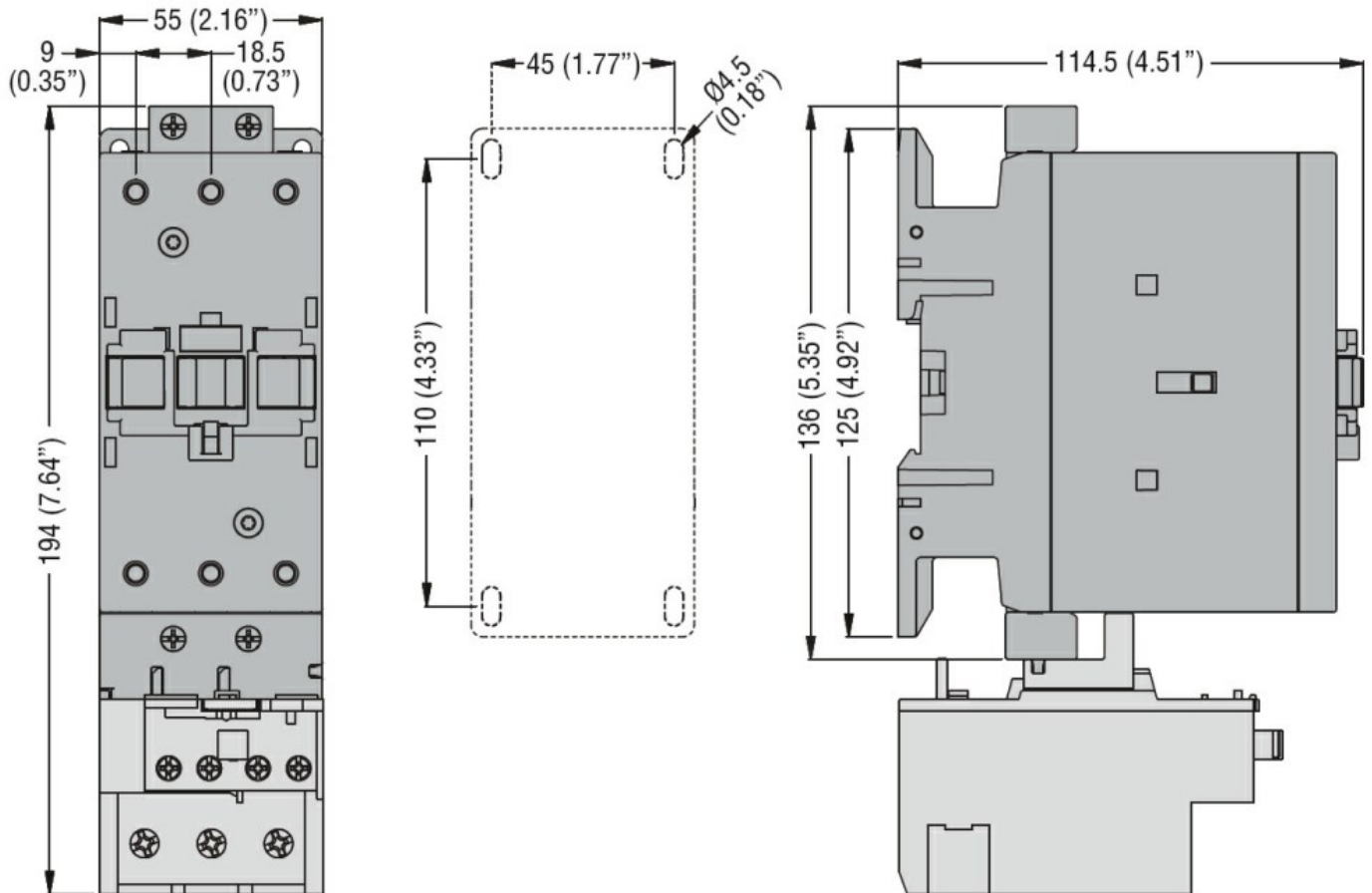
m 3000

Resistance & Protection

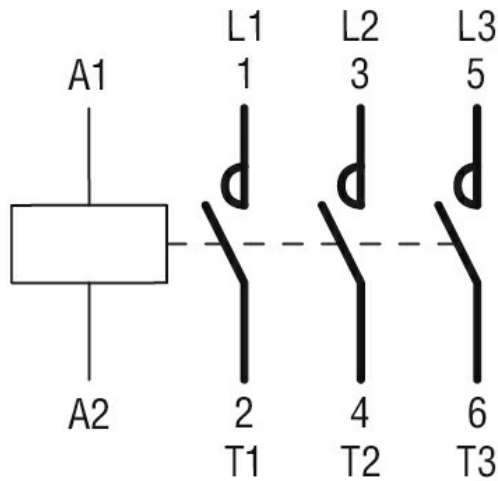
Pollution degree

3

Dimensions [mm (in)]



Wiring diagrams



**Certifications and compliance**

Compliance

CSA C22.2 n° 60947-1

CSA C22.2 n° 60947-4-1

IEC/EN/BS 60947-1

IEC/EN/BS 60947-4-1

UL 60947-1

UL 60947-4-1

Certificates

CCC

cULus

**ETIM classification**

ETIM 8.0

EC000066 -  
 Power contactor,  
 AC switching



Product designation  
Product type designation

Power contactor  
BF65

**Contact characteristics**

Number of poles	Nr.	3
Rated insulation voltage U <sub>i</sub> IEC/EN	V	1000
Rated impulse withstand voltage U <sub>imp</sub>	kV	8
Operational frequency	min	Hz 25
	max	Hz 400
IEC Conventional free air thermal current I <sub>th</sub>	A	100
Operational current I <sub>e</sub>	AC-1 (≤40°C)	A 100
	AC-1 (≤55°C)	A 80
	AC-1 (≤70°C)	A 70
	AC-3 (≤440V ≤55°C)	A 65
	AC-4 (400V)	A 31
Rated operational power AC-3 (T≤55°C)	230V	kW 18.5
	400V	kW 30
	415V	kW 37
	440V	kW 37
	500V	kW 37
	690V	kW 45
	1000V	kW 30
Rated operational power AC-1 (T≤40°C)	230V	kW 38
	400V	kW 65
	500V	kW 82
	690V	kW 114
IEC max current I <sub>e</sub> in DC1 with L/R ≤ 1ms with 1 poles in series	≤24V	A 50
	48V	A 50
	75V	A 50
	110V	A 8
	220V	A –
IEC max current I <sub>e</sub> in DC1 with L/R ≤ 1ms with 2 poles in series	≤24V	A 70
	48V	A 70
	75V	A 70
	110V	A 60
	220V	A 9
IEC max current I <sub>e</sub> in DC1 with L/R ≤ 1ms with 3 poles in series	≤24V	A 70
	48V	A 70
	75V	A 70

	110V	A	60
	220V	A	90
<hr/>			
IEC max current I <sub>e</sub> in DC1 with L/R ≤ 1ms with 4 poles in series			
	≤24V	A	70
	48V	A	70
	75V	A	70
	110V	A	70
	220V	A	110
<hr/>			
IEC max current I <sub>e</sub> in DC3-DC5 with L/R ≤ 15ms with 1 poles in series			
	≤24V	A	35
	48V	A	25
	75V	A	25
	110V	A	3
	220V	A	–
<hr/>			
IEC max current I <sub>e</sub> in DC3-DC5 with L/R ≤ 15ms with 2 poles in series			
	≤24V	A	45
	48V	A	40
	75V	A	40
	110V	A	30
	220V	A	5
<hr/>			
IEC max current I <sub>e</sub> in DC3-DC5 with L/R ≤ 15ms with 3 poles in series			
	≤24V	A	55
	48V	A	50
	75V	A	50
	110V	A	35
	220V	A	52
<hr/>			
IEC max current I <sub>e</sub> in DC3-DC5 with L/R ≤ 15ms with 4 poles in series			
	≤24V	A	60
	48V	A	60
	75V	A	60
	110V	A	50
	220V	A	65
<hr/>			
Short-time allowable current for 10s (IEC/EN60947-1)		A	640
<hr/>			
Protection fuse			
	gG (IEC)	A	125
	aM (IEC)	A	80
<hr/>			
Making capacity (RMS value)		A	650
<hr/>			
Breaking capacity at voltage			
	440V	A	520
	500V	A	425
	690V	A	376
<hr/>			
Resistance per pole (average value)		mΩ	0.8
<hr/>			
Power dissipation per pole (average value)			
	I <sub>th</sub>	W	8
	AC3	W	3.4
<hr/>			
Tightening torque for terminals			
	min	Nm	4
	max	Nm	5
	min	I <sub>bin</sub>	2.95
	max	I <sub>bin</sub>	3.69
<hr/>			
Tightening torque for coil terminal			
	min	Nm	0.8
	max	Nm	1



	min	I <sub>bin</sub>	0.8
	max	I <sub>bin</sub>	0.74
Max number of wires simultaneously connectable		Nr.	2
Conductor section			
AWG/Kcmil			
	max		2
Flexible w/o lug conductor section			
	min	mm <sup>2</sup>	1.5
	max	mm <sup>2</sup>	35
Flexible c/w lug conductor section			
	min	mm <sup>2</sup>	1.5
	max	mm <sup>2</sup>	35
Power terminal protection according to IEC/EN 60529			IP20 front
<b>Mechanical features</b>			
Operating position			
	normal allowable		Vertical plan ±30°
Fixing			Screw / DIN rail 35mm
Weight		g	1060
Conductor section			
AWG/kcmil conductor section			
	max		2
<b>Operations</b>			
Mechanical life		cycles	15000000
Electrical life		cycles	1400000
<b>Safety related data</b>			
Performance level B10d according to EN/ISO 13489-1			
	rated load	cycles	1400000
	mechanical load	cycles	15000000
Mirror contacts according to IEC/EN 60947-4-1			yes
EMC compatibility			yes
<b>AC coil operating</b>			
Rated AC voltage at 50/60Hz, 60Hz			
	min	V	60
	max	V	110
Rated AC voltage at 50/60Hz		V	110
AC operating voltage			
of 50/60Hz coil powered at 50Hz drop-out			
	max	%Us	≤70 Us min
of 50/60Hz coil powered at 60Hz pick-up			
	min	%Us	80 Us min
	max	%Us	110 Us max
drop-out			
	max	%Us	≤70 Us min
AC average coil consumption at 20°C			
of 50/60Hz coil powered at 50Hz			
	in-rush	VA	35...120
	holding	VA	1.5...3.7
of 50/60Hz coil powered at 60Hz			
	in-rush	VA	35...120

	holding	VA	1.5...3.7
Dissipation at holding $\leq 20^{\circ}\text{C}$ 50Hz		W	1...2.5
<b>DC coil operating</b>			
DC rated control voltage	min	V	60
	max	V	110
DC rated control voltage		V	110
DC operating voltage			
pick-up	min	%Us	80 Us min
	max	%Us	110 Us max
drop-out	max	%Us	$\leq 70$ Us min
Average coil consumption $\leq 20^{\circ}\text{C}$	in-rush	W	23...68
	holding	W	1.2...1,9
<b>Max cycles frequency</b>			
Mechanical operation		cycles/h	1500
<b>Operating times</b>			
Average time for Us control			
in AC			
Closing NO	min	ms	12
	max	ms	28
Opening NO	min	ms	8
	max	ms	22
in DC			
Closing NO	min	ms	40
	max	ms	85
Opening NO	min	ms	20
	max	ms	55
<b>UL technical data</b>			
Full-load current (FLA) for three-phase AC motor	at 480V	A	65
	at 600V	A	62
Yielded mechanical performance			
for three-phase AC motor	200/208V	HP	20
	220/230V	HP	25
	460/480V	HP	50
	575/600V	HP	60
General USE			
Contactor	AC current	A	100
Short-circuit protection fuse, 600V			
High fault	Short circuit current	kA	100
	Fuse rating	A	200
	Fuse class		J
Standard fault	Short circuit current	kA	10

Fuse rating	A	200
Fuse class		RK5

**Ambient conditions**

Temperature

Operating temperature

min	°C	-40
max	°C	70

Storage temperature

min	°C	-50
max	°C	80

Max altitude

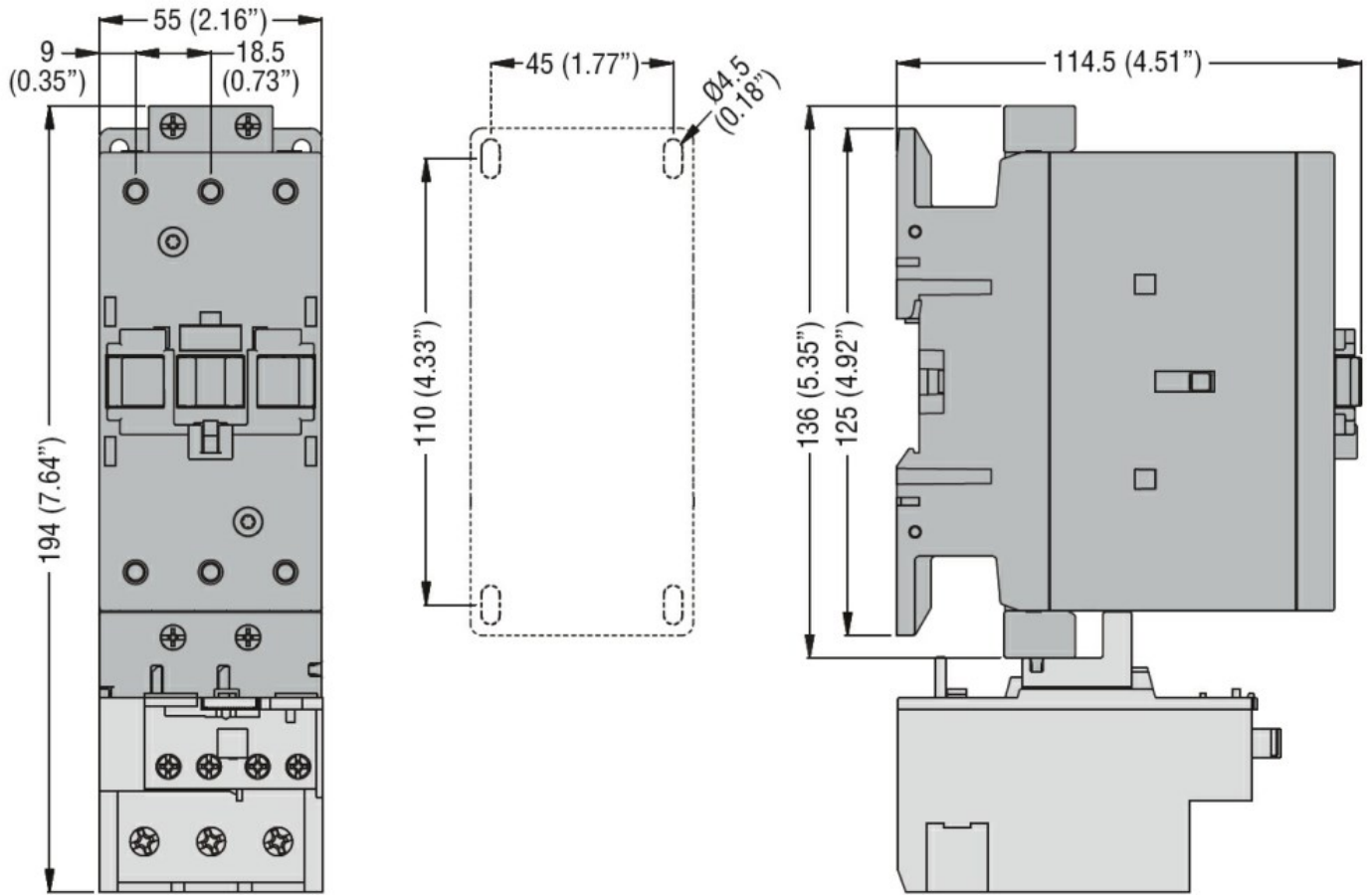
m	3000
---	------

**Resistance & Protection**

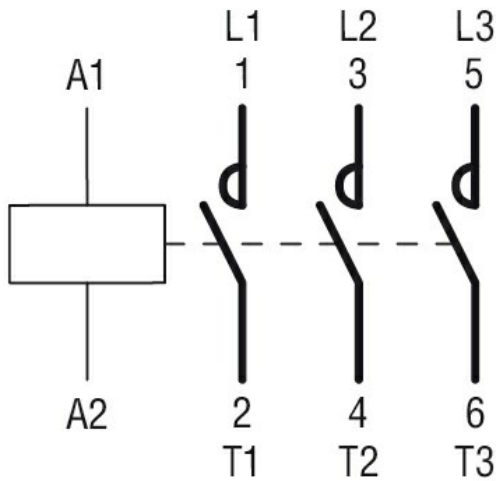
Pollution degree

3

**Dimensions [mm (in)]**



**Wiring diagrams**



**Certifications and compliance**

Compliance

CSA C22.2 n° 60947-1

CSA C22.2 n° 60947-4-1

IEC/EN/BS 60947-1

IEC/EN/BS 60947-4-1

UL 60947-1

UL 60947-4-1

Certificates

CCC

cULus

**ETIM classification**

ETIM 8.0

EC000066 -  
 Power contactor,  
 AC switching



Product designation  
Product type designation

Power contactor  
BF65

**Contact characteristics**

Number of poles	Nr.	3
Rated insulation voltage U <sub>i</sub> IEC/EN	V	1000
Rated impulse withstand voltage U <sub>imp</sub>	kV	8
Operational frequency	min	Hz 25
	max	Hz 400
IEC Conventional free air thermal current I <sub>th</sub>	A	100
Operational current I <sub>e</sub>	AC-1 (≤40°C)	A 100
	AC-1 (≤55°C)	A 80
	AC-1 (≤70°C)	A 70
	AC-3 (≤440V ≤55°C)	A 65
	AC-4 (400V)	A 31
Rated operational power AC-3 (T≤55°C)	230V	kW 18.5
	400V	kW 30
	415V	kW 37
	440V	kW 37
	500V	kW 37
	690V	kW 45
	1000V	kW 30
Rated operational power AC-1 (T≤40°C)	230V	kW 38
	400V	kW 65
	500V	kW 82
	690V	kW 114
IEC max current I <sub>e</sub> in DC1 with L/R ≤ 1ms with 1 poles in series	≤24V	A 50
	48V	A 50
	75V	A 50
	110V	A 8
	220V	A –
IEC max current I <sub>e</sub> in DC1 with L/R ≤ 1ms with 2 poles in series	≤24V	A 70
	48V	A 70
	75V	A 70
	110V	A 60
	220V	A 9
IEC max current I <sub>e</sub> in DC1 with L/R ≤ 1ms with 3 poles in series	≤24V	A 70
	48V	A 70
	75V	A 70

	110V	A	60
	220V	A	90
<hr/>			
IEC max current I <sub>e</sub> in DC1 with L/R ≤ 1ms with 4 poles in series			
	≤24V	A	70
	48V	A	70
	75V	A	70
	110V	A	70
	220V	A	110
<hr/>			
IEC max current I <sub>e</sub> in DC3-DC5 with L/R ≤ 15ms with 1 poles in series			
	≤24V	A	35
	48V	A	25
	75V	A	25
	110V	A	3
	220V	A	–
<hr/>			
IEC max current I <sub>e</sub> in DC3-DC5 with L/R ≤ 15ms with 2 poles in series			
	≤24V	A	45
	48V	A	40
	75V	A	40
	110V	A	30
	220V	A	5
<hr/>			
IEC max current I <sub>e</sub> in DC3-DC5 with L/R ≤ 15ms with 3 poles in series			
	≤24V	A	55
	48V	A	50
	75V	A	50
	110V	A	35
	220V	A	52
<hr/>			
IEC max current I <sub>e</sub> in DC3-DC5 with L/R ≤ 15ms with 4 poles in series			
	≤24V	A	60
	48V	A	60
	75V	A	60
	110V	A	50
	220V	A	65
<hr/>			
Short-time allowable current for 10s (IEC/EN60947-1)		A	640
<hr/>			
Protection fuse			
	gG (IEC)	A	125
	aM (IEC)	A	80
<hr/>			
Making capacity (RMS value)		A	650
<hr/>			
Breaking capacity at voltage			
	440V	A	520
	500V	A	425
	690V	A	376
<hr/>			
Resistance per pole (average value)		mΩ	0.8
<hr/>			
Power dissipation per pole (average value)			
	I <sub>th</sub>	W	8
	AC3	W	3.4
<hr/>			
Tightening torque for terminals			
	min	Nm	4
	max	Nm	5
	min	I <sub>bin</sub>	2.95
	max	I <sub>bin</sub>	3.69
<hr/>			
Tightening torque for coil terminal			
	min	Nm	0.8
	max	Nm	1

	min	I <sub>bin</sub>	0.8
	max	I <sub>bin</sub>	0.74
Max number of wires simultaneously connectable		Nr.	2
Conductor section			
AWG/Kcmil			
	max		2
Flexible w/o lug conductor section			
	min	mm <sup>2</sup>	1.5
	max	mm <sup>2</sup>	35
Flexible c/w lug conductor section			
	min	mm <sup>2</sup>	1.5
	max	mm <sup>2</sup>	35
Power terminal protection according to IEC/EN 60529			IP20 front
<b>Mechanical features</b>			
Operating position			
	normal allowable		Vertical plan ±30°
Fixing			Screw / DIN rail 35mm
Weight		g	1060
Conductor section			
AWG/kcmil conductor section			
	max		2
<b>Operations</b>			
Mechanical life		cycles	15000000
Electrical life		cycles	1400000
<b>Safety related data</b>			
Performance level B10d according to EN/ISO 13489-1			
	rated load	cycles	1400000
	mechanical load	cycles	15000000
Mirror contacts according to IEC/EN 60947-4-1			yes
EMC compatibility			yes
<b>AC coil operating</b>			
Rated AC voltage at 50/60Hz, 60Hz			
	min	V	100
	max	V	250
Rated AC voltage at 50/60Hz		V	230
AC operating voltage			
of 50/60Hz coil powered at 50Hz			
pick-up	min	%Us	80 Us min
	max	%Us	110 Us max
drop-out	max	%Us	≤70 Us min
of 50/60Hz coil powered at 60Hz			
pick-up	min	%Us	80 Us min
	max	%Us	110 Us max
drop-out	max	%Us	≤70 Us min
AC average coil consumption at 20°C			
of 50/60Hz coil powered at 50Hz			
	in-rush	VA	35...120

	holding	VA	1.5...3.7
of 50/60Hz coil powered at 60Hz			
	in-rush	VA	35...120
	holding	VA	1.5...3.7
Dissipation at holding ≤20°C 50Hz		W	1...2.5
<b>DC coil operating</b>			
DC rated control voltage			
	min	V	100
	max	V	250
DC rated control voltage		V	230
DC operating voltage			
pick-up	min	%Us	80 Us min
	max	%Us	110 Us max
drop-out	max	%Us	≤70 Us min
Average coil consumption ≤20°C			
	in-rush	W	23...68
	holding	W	1.2...1,9
<b>Max cycles frequency</b>			
Mechanical operation		cycles/h	1500
<b>Operating times</b>			
Average time for Us control			
in AC			
	Closing NO	min	ms 12
		max	ms 28
	Opening NO	min	ms 8
		max	ms 22
in DC			
	Closing NO	min	ms 40
		max	ms 85
	Opening NO	min	ms 20
		max	ms 55
<b>UL technical data</b>			
Full-load current (FLA) for three-phase AC motor			
	at 480V	A	65
	at 600V	A	62
Yielded mechanical performance			
for three-phase AC motor			
	200/208V	HP	20
	220/230V	HP	25
	460/480V	HP	50
	575/600V	HP	60
General USE			
Contactor			
	AC current	A	100
Short-circuit protection fuse, 600V			
High fault			
	Short circuit current	kA	100
	Fuse rating	A	200



	Fuse class	J
Standard fault		
	Short circuit current	kA 10
	Fuse rating	A 200
	Fuse class	RK5

**Ambient conditions**

Temperature

Operating temperature

min	°C	-40
max	°C	70

Storage temperature

min	°C	-50
max	°C	80

Max altitude

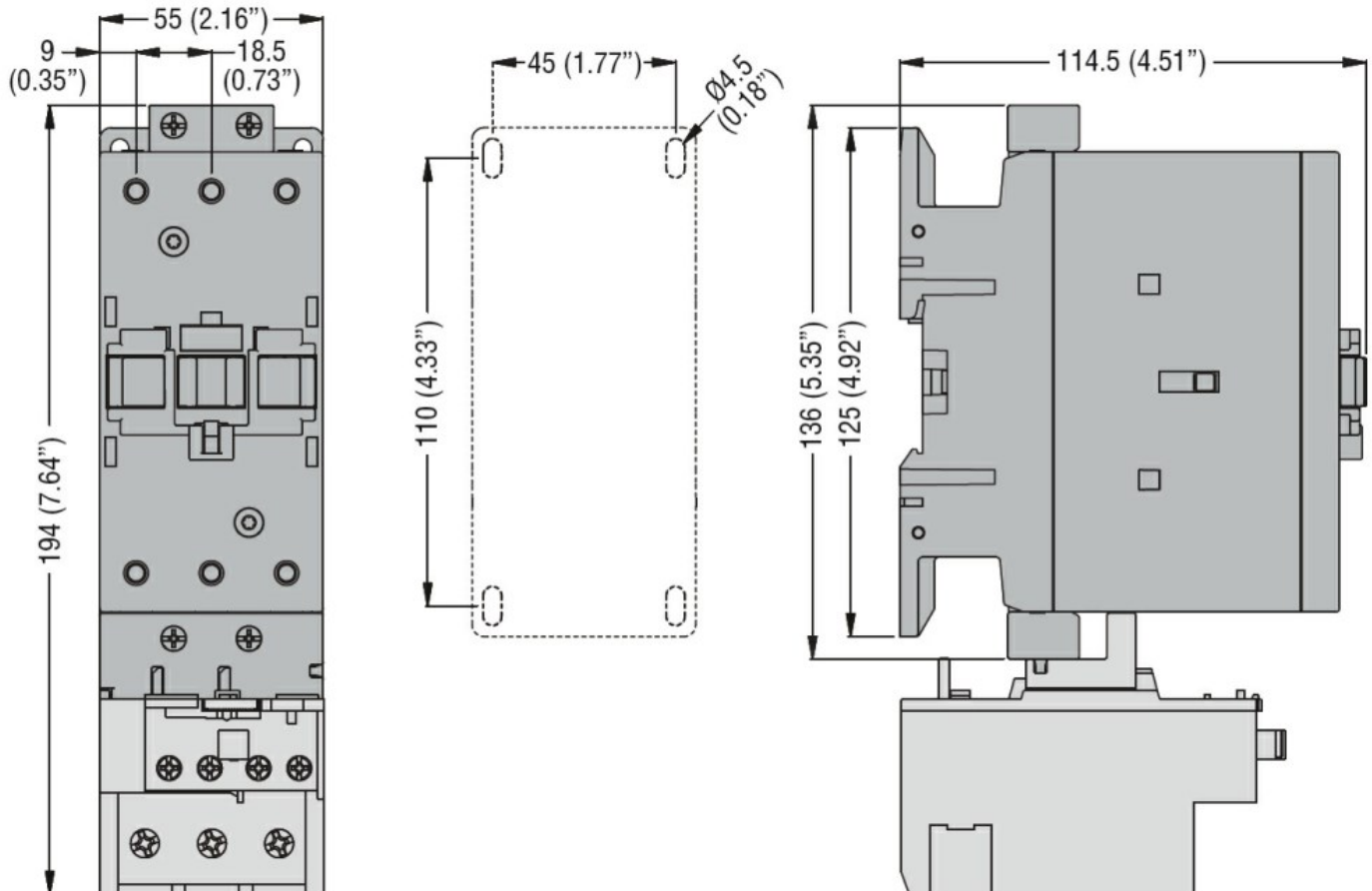
m 3000

**Resistance & Protection**

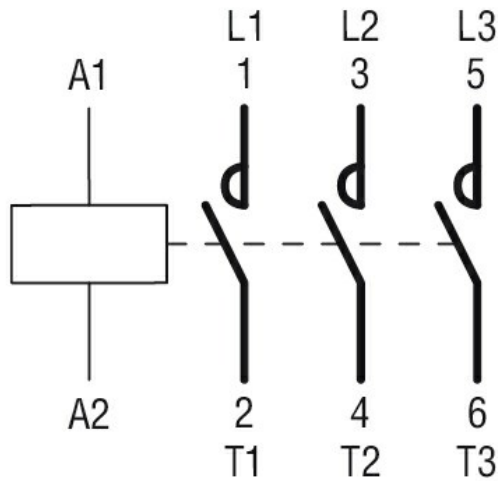
Pollution degree

3

**Dimensions [mm (in)]**



**Wiring diagrams**



**Certifications and compliance**

Compliance

CSA C22.2 n° 60947-1

CSA C22.2 n° 60947-4-1

IEC/EN/BS 60947-1

IEC/EN/BS 60947-4-1

UL 60947-1

UL 60947-4-1

Certificates

CCC

cULus

**ETIM classification**

ETIM 8.0

EC000066 -  
 Power contactor,  
 AC switching