



Product designation	Earth leakage relays		
Product type designation	RM		
<b>General characteristics</b>			
Description	Modular with transparent cover, 1 operating threshold		
<b>Control circuit</b>			
Toroidal transformer	External		
<b>Adjustments</b>			
Tripping set-point ( $I_{\Delta n}$ )	(x0.1)	A	0.025...0.25
	(x1)	A	0.25...2.5
	(x10)	A	2.5...25
	(external multiplier)	A	25...250
Tripping delay time	(tx1)	s	0.02...0.5
	(tx10)	s	0.2...5
Selection of multiplier for $I_{\Delta n}$ and t	By dip switches		
Resetting	Configurable automatic or manual by button on front		
Test Button	Yes		
Shunt circuit control	No		
<b>Auxiliary supply</b>			
Auxiliary rated supply voltage $U_s$	110... 125VAC/DC; 220... 240/380... 415VAC		
Operational limits	110... 125VAC/DC or 220...240VAC or 380...415VAC		
Output contacts	1		
Rated frequency	Hz	50...60	
Power consumption Max	VA	3	
<b>Relay outputs</b>			
Relay state	Normally de-energised		
Contact arrangement	1 changeover SPDT (trip)		
Rated contact capacity IEC $I_{th}$	5A - 250VAC		
<b>Insulations</b>			
Power frequency withstand voltage	kV	2.5kV for 60s	

### Indications

Auxiliary voltage available (ON)	Green LED
Relay tripping (TRIP)	Red LED

### Connections

Terminals type	Fixed
Tightening torque for terminals	

max	Nm	0.5
max	lbin	4.5

### Conductor section

AWG/Kcmil

min		24
max		12

IEC

min	mm <sup>2</sup>	0.2
max	mm <sup>2</sup>	2.5

### Operations

Mechanical life	cycles	50000000
Electrical life	cycles	300000

### Ambient conditions

#### Temperature

Operating temperature

min	°C	-10
max	°C	+60

Storage temperature

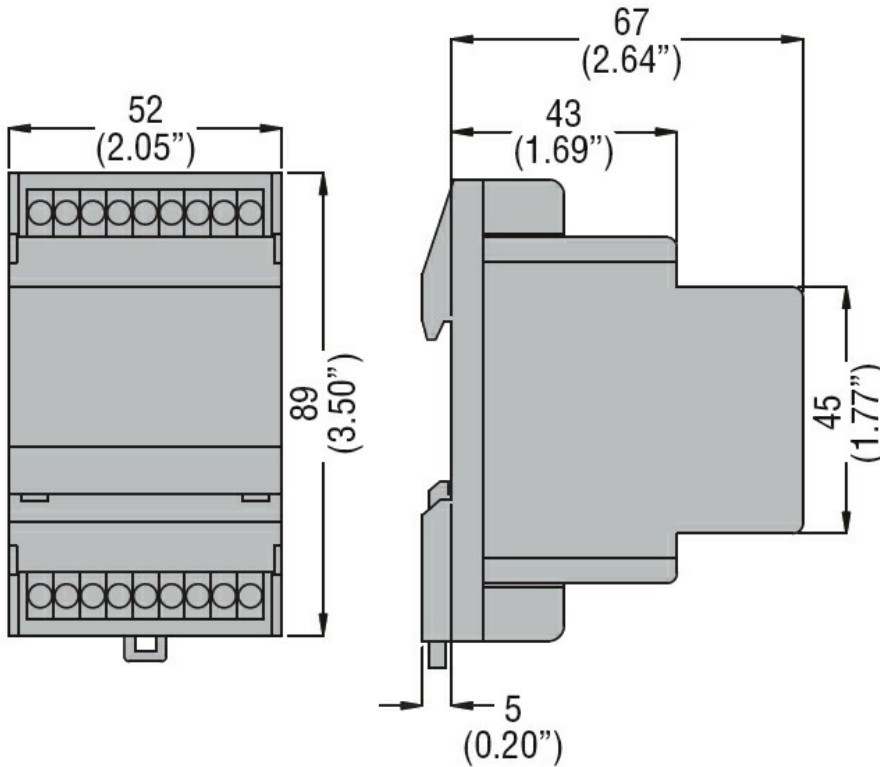
min	°C	-20
max	°C	+80

Relative humidity	%	≤90%
-------------------	---	------

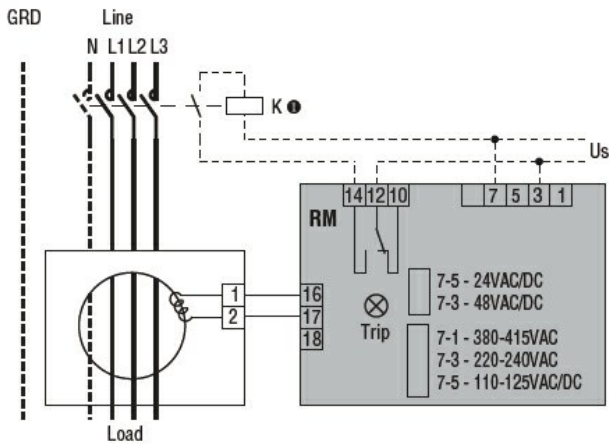
### Housing

Material	Self-extinguishing polycarbonate
Mounting	35mm DIN rail
Degree of protection	IP20 terminals
Dimensions (W x H x D)	mm 52x89x72
Weight	g 190

### Dimensions [mm (in)]



**Wiring diagrams**



**Certifications and compliance**

Compliant with standards

IEC/EN 60947-2

Certificates

EAC

**ETIM classification**

ETIM 8.0

EC001445 -  
Residual current  
monitoring relay