



Product designation	SLIM RELAY		
Product type designation	HR201D		
Contact characteristics			
Contact configuration	1 Static		
Rated insulation voltage U_i IEC/EN	V	2500 (input/output)	
IEC Conventional free air thermal current I_{th}	A	4	
Maximum instantaneous current	A	48 (10ms)	
Rated current (I_n)	A	4	
Relay control voltage	V	24VDC	
Max contrrollable power in	AC-1	W	1500
	AC-15	VA	360
Rated operating current DC-1	30V	A	4A output 3... 28VDC
Minimum switching load	V / mA		3 / 0.02
Operating times			
Closing	ms		0.3
Opening	ms		0.3
Operations			
Mechanical life	cycles		Theoretically infinite
Electrical life AC1	cycles		Theoretically infinite
Coil characteristics			
Operating range	Closing	% U_n	80...120
Maximum cycle frequency	cycles/h		>100000
Mechanical features			
Max socket terminal tightening torque	Nm		0.5
Socket screw tightening tool (cross / flat blade)	PH0 / 3.5mm		
Conductor section	AWG/Kcmil		
	min	20	
	max	16	
	IEC		
	min	mm ²	0.5
	max	mm ²	1.5
Operating position	normal		Any
Fixing	On 35mm DIN rail		
Ambient conditions			
Temperature			

Operating temperature

min	°C	-30
max	°C	+80

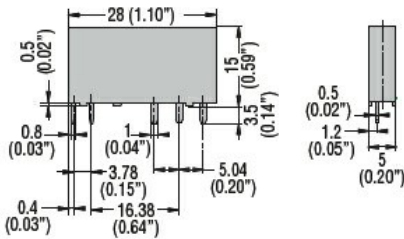
Storage temperature

min	°C	-30
max	°C	+100

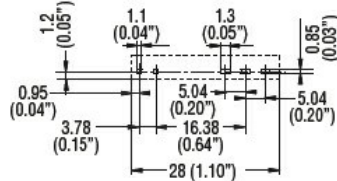
Other features

Indication	Yes (on the socket)
Mechanical contact position indicator	No
Mechanical test actuator	No

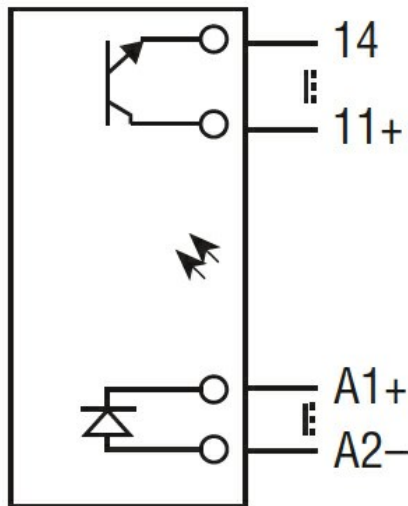
Dimensions [mm (in)]



PCB layout



Wiring diagrams



Certifications and compliance

Compliance

IEC/EN 62314

Certificates

cURus
TÜV-SUD

ETIM classification

ETIM 8.0

EC002055 -
Solid state relay