



Product designation				MINIATURE RELAYS
Product type designation				HR501C
<b>Contact characteristics</b>				
Contact configuration				1 C/O
Rated insulation voltage $U_i$ IEC/EN	V			250
Rated impulse withstand voltage $U_{imp}$	kV			6
IEC Conventional free air thermal current $I_{th}$	A			16
Maximum instantaneous current	A			20
Rated current ( $I_n$ )	A			16
Relay control voltage	V			110VAC
Max contrrollable power in	AC-1	W	4000	
	AC-15	VA	150	
Rated operating power AC-1			VA	4000
			230 VAC	150
Rated operating power AC-15			VA	4000
			230 VAC	150
Single-phase motor control			kW	0.1
			230VAC	0.1
Rated operating current DC-1	30V	A	12	
	110V	A	0.3	
	220V	A	0.1	
			V / mA	5 / 100
Minimum switching load				100
Contact impedance				Ag/Ni
Contact material				
<b>Operating times</b>				
Closing	ms			<15
Opening	ms			<15
<b>Operations</b>				
Mechanical life	cycles			10000000
Electrical life AC1	cycles			30000
<b>Coil characteristics</b>				
Average coil consumption AC at 20°C	VA			1
Average coil consumption DC at 20°C	W			0.4
Operating range	Closing	% $U_n$	70...110	
	Opening	% $U_n$	20...55	
			cycles/h	3600
Maximum cycle frequency				3600
<b>Mechanical features</b>				
Max socket terminal tightening torque	Nm			0.6
Socket screw tightening tool (cross / flat blade)				PH1 / 4.5mm
Conductor section	AWG/Kcmil			

	min	20	
	max	14	
IEC			
	min	mm <sup>2</sup>	0.5
	max	mm <sup>2</sup>	2.5
Operating position			
	normal	Any	
Fixing			
		On 35mm DIN rail and with screw	

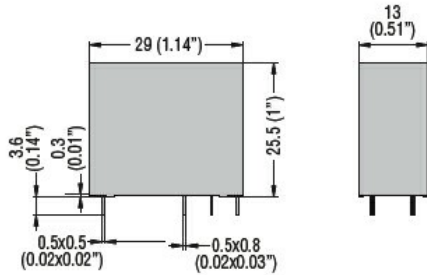
**Ambient conditions**

Temperature			
Operating temperature			
	min	°C	-40
	max	°C	+70
Storage temperature			
	min	°C	-40
	max	°C	+85

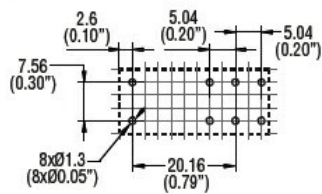
**Other features**

Indication	Yes
Mechanical contact position indicator	Yes
Mechanical test actuator	Yes

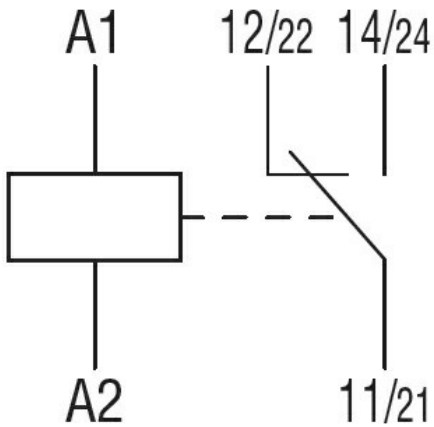
**Dimensions [mm (in)]**



**PCB layout**



**Wiring diagrams**



**Certifications and compliance**

Compliance

IEC/EN 61810

Certificates

CSA

cURus

EAC

VDE

**ETIM classification**

ETIM 8.0

EC001437 -  
Switching relay