



Product designation				8-PIN INDUSTRIAL RELAYS
Product type designation				HR702C
Contact characteristics				
Contact configuration				2 C/O
Rated insulation voltage U_i IEC/EN	V			250
Rated impulse withstand voltage U_{imp}	kV			6
IEC Conventional free air thermal current I_{th}	A			10
Rated current (I_n)	A			10
Relay control voltage	V			230VAC
Rated operating power AC-1		VA	2500	
Rated operating power AC-15		230 VAC	VA	500
Single-phase motor control		230VAC	kW	1.2
Rated operating current DC-1		30V	A	10
Minimum switching load		V / mA	5 / 100	
Contact impedance		m Ω	100	
Contact material		Ag/Ni		
Operating times				
Closing		ms	<30	
Opening		ms	<30	
Operations				
Mechanical life		cycles	5000000	
Electrical life AC1		cycles	100000	
Coil characteristics				
Average coil consumption AC at 20°C		VA	3	
Average coil consumption DC at 20°C		W	1.5	
Operating range		Closing	% U_n	70...110
		Opening	% U_n	20...55
Maximum cycle frequency		cycles/h	3600	
Mechanical features				
Max socket terminal tightening torque		Nm	0.6	
Socket screw tightening tool (cross / flat blade)		PH1 / 4.5mm		
Conductor section	AWG/Kcmil			
		min	20	
		max	14	
	IEC			
		min	mm ²	0.5
		max	mm ²	2.5

Operating position	normal	Any
Fixing		On 35mm DIN rail and with screw

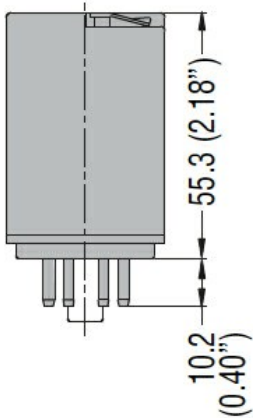
Ambient conditions

Temperature	Operating temperature		
	min	°C	-40
	max	°C	+55
	Storage temperature		
	min	°C	-40
	max	°C	+70

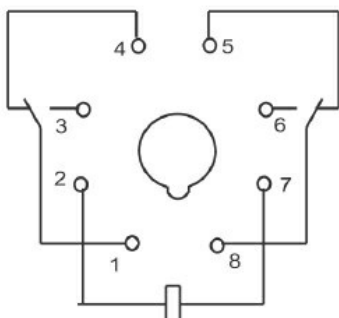
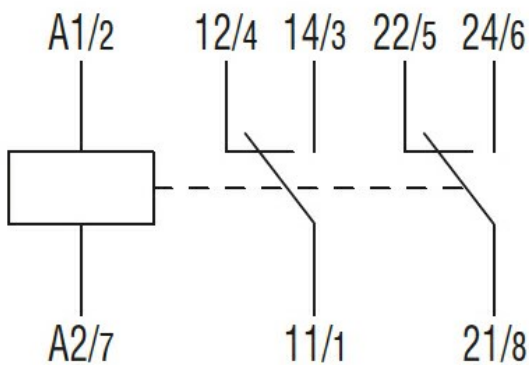
Other features

Indication	Yes
Mechanical contact position indicator	Yes
Mechanical test actuator	Yes

Dimensions [mm (in)]



Wiring diagrams



Certifications and compliance

Compliance	IEC/EN 61810
Certificates	CSA
	cURus
	EAC

ETIM classification

ETIM 8.0	EC001437 - Switching relay
----------	-------------------------------