



8-PIN
INDUSTRIAL
RELAYS
HR702C

Product designation

Product type designation

Contact characteristics

Contact configuration		2 C/O
Rated insulation voltage U_i IEC/EN	V	250
Rated impulse withstand voltage U_{imp}	kV	6
IEC Conventional free air thermal current I_{th}	A	10
Rated current (I_n)	A	10
Relay control voltage	V	110VDC
Rated operating power AC-1	VA	2500

Rated operating power AC-15

230 VAC VA 500

Single-phase motor control

230VAC kW 1.2

Rated operating current DC-1

30V A 10

Minimum switching load

V / mA 5 / 100

Contact impedance

m Ω 100

Contact material

Ag/Ni

Operating times

Closing	ms	<30
Opening	ms	<30

Operations

Mechanical life	cycles	5000000
Electrical life AC1	cycles	100000

Coil characteristics

Average coil consumption AC at 20°C	VA	3
Average coil consumption DC at 20°C	W	1.5

Operating range

Closing	% U_n	75...110
Opening	% U_n	10...30

Maximum cycle frequency

cycles/h 3600

Mechanical features

Max socket terminal tightening torque	Nm	0.6
Socket screw tightening tool (cross / flat blade)		PH1 / 4.5mm

Conductor section

AWG/Kcmil

min	20
max	14

IEC

min	mm ²	0.5
max	mm ²	2.5

Operating position	normal	Any
Fixing		On 35mm DIN rail and with screw

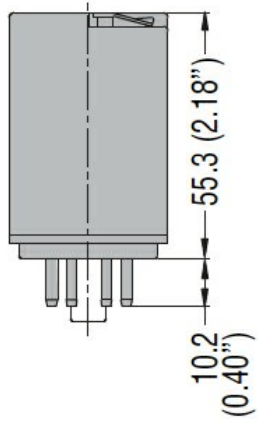
Ambient conditions

Temperature	Operating temperature		
	min	°C	-40
	max	°C	+55
	Storage temperature		
	min	°C	-40
	max	°C	+70

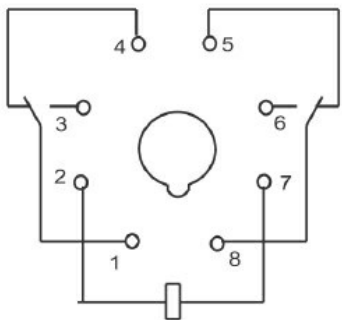
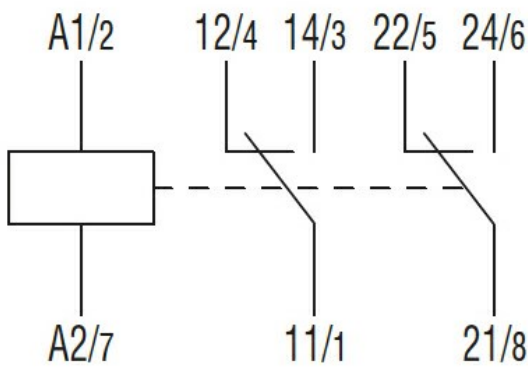
Other features

Indication	Yes
Mechanical contact position indicator	Yes
Mechanical test actuator	Yes

Dimensions [mm (in)]



Wiring diagrams



Certifications and compliance

Compliance

IEC/EN 61810

Certificates

CSA

cURus

EAC

ETIM classification

ETIM 8.0

EC001437 -
Switching relay