



Level control relay for emptying or filling function. Dual voltage. Modular version
LVM30
Emptying or filling

Product designation

Product type designation

Function

Auxiliary supply

Supply voltage Type		Dual voltage
Operating voltage range		0.85...1.1 Us
Rated frequency	Hz	50/60
Power consumption Max	VA	5.5
Power dissipation Max	W	2.8

Output characteristics

Number of connectable electrodes	Nr.	3
Type of electrode		Electrode and electrode holders: SN1 / SCM / CGL / PS31 / PS3S or similar
Electrode voltage		7.5 VAC
Sensitivity	kohm	2.5...50 adjustable

Time delay

Tripping time	s	1
Resetting time	s	1
Probe tripping delay		OFF...10s

Relay outputs

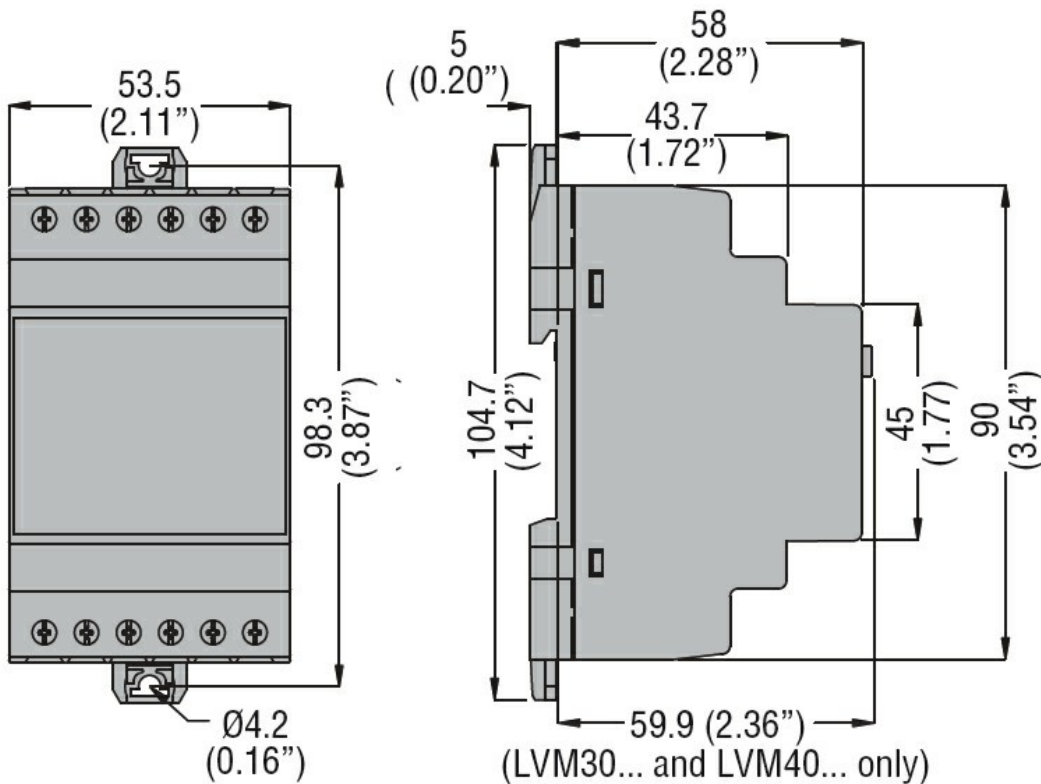
Number of relays	Nr.	2
Relay state		Normally de-energised, energises at tripping
Contact arrangement		2 changeover contacts C/O-SPDT each
Rated operational voltage AC (IEC)	VAC	250
Maximum switching voltage	VAC	400
IEC Conventional free air thermal current Ith	A	8
UL/CSA and IEC/EN 60947-5-1 designation		B300
Electrical life (with rated load)	cycles	10 ⁵
Mechanical life	cycles	30x10 ⁶

Indications

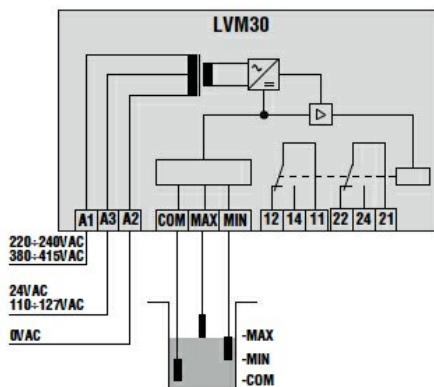
Indication				1 green LED for power on 1 red LED for relay state
Functions				
3 detecting electrodes (MIN, MAX and COM)				Yes
5 detecting electrodes (MIN1, MAX1, MIN2, MAX2 and COM)				No
Sensitivity adjustment 2.5...50k Ω				Yes
Sensitivity adjustment 2.5...100k Ω				No
Sensitivity adjustment 2.5...200k Ω				No
Adjustable sensitivity full-scale value 25-50-100-200 k Ω				No
Separate sensitivity adjustment for MAX probe (foam detection)				No
Emptying function				Yes
Filling function				Yes
Emptying function with MIN and/or MAX alarm				No
Filling function with MIN and/or MAX alarm				No
Emptying function with pump priority change				No
Filling function with pump priority change				No
Tank filling, well drawing and alarm				No
Filling-emptying adjustment selector				Yes
Programming selector for 5 different				No
Motor start-up priority change				No
Connections				
Terminals type				Screw
Tightening torque for terminals		max	Nm	0.8
		max	Ibin	7
Conductor cross section				
AWG/Kcmil		min	AWG	24
		Max	AWG	12
IEC		min	mm ²	0.2
		Max	mm ²	4
Insulations				
Rated insulation voltage Ui			V	415
Rated impulse withstand voltage Uimp			kV	6
Operating frequency withstand voltage			kV	4
Double insulation Supply / relay / electrode			VAC	\leq 250
Ambient conditions				
Temperature				
Operating temperature		min	$^{\circ}$ C	-20
		max	$^{\circ}$ C	+60
Storage temperature		min	$^{\circ}$ C	-30
		max	$^{\circ}$ C	+80
Housing				
Execution				Modular DIN rail mounting
N° of modules				3
Material				Self-extinguishing polyamide

Mounting	35mm DIN rail (IEC/EN 60715) or by screws using extractable clips	
IEC degree of protection	IP40 on front / IP20 on terminals	
Dimensions (W x H x D)	mm	53.5 x 104.7 x 64.9
Weight	g	315

Dimensions [mm (in)]



Wiring diagrams



Certifications and compliance

Compliance

- CSA C22.2 n° 14
- IEC/EN 60255-5
- IEC/EN 61000-6-2
- IEC/EN 61000-6-3
- UL508

Certificates

cULus

EAC

ETIM classification

ETIM 8.0

EC001447 - (Fill)
level monitoring
relay