



Interface protection system units compliant with standard SHAMS DUBAI - DRRG (DEWA) PMVF60

Product designation

Product type designation

**General characteristics**

Description

System with or without neutral in low or medium voltage. Dual threshold minimum and maximum voltage and frequency protection. ROCOF and Vector shift

Type of system

Three-phase with/without neutral

**Power supply**

Operating voltage range

85...264VAC / 93.5...300VDC

Rated frequency

Hz 50/60

**Control circuit**

Rated current (Ie)

A CT /5A /1A

**Auxiliary supply**

Rated auxiliary supply voltage Us

AC

min	VAC	100
Max	VAC	240

DC

min	VDC	110
Max	VDC	250

Power consumption

AC (Max)

VA	4.6VA at 110VAC; 12.5VA at 230VAC
----	--------------------------------------

DC (Max)

VA	23mA at 110VDC; 11mA at 250VDC
----	--------------------------------

Power dissipation

AC (Max)

INTERFACE PROTECTION UNIT COMPLIANT WITH SHAMS DUBAI DRRG (DEWA) - SEC (SAUDI ELECTRICITY COMPANY) FOR THREE-PHASE SYSTEM, WITH OR WITHOUT NEUTRAL, LOW AND MEDIUM VOLTAGE, MIN AND MAX VOLTAGE AND FREQUENCY DUAL THRESHOULD PROTECTION, R.O.C.O.F AND VECTOR SHIFT, 230VAC - 400VAC

	W	2.5W at 110VAC; 2.7W at 230VAC
DC (Max)	W	2.3W at 110VDC; 2.5W at 250VDC
Immunity time for microbreakings	ms	≤50ms at 100VDC; ≤200ms at 240VDC
<b>Voltage inputs</b>		
Maximum rated operational voltage		400VAC L-L; 230VAC L-N 50Hz
Measurement range	V	20...480VAC L-L; 10...276VAC L-N
Frequency range	Hz	45...55
<b>Current inputs</b>		
Measurement range		For 1A scale: 0.01...1.2A; for 5A scale: 0.01...6A
Measurement method		RMS
Overload peak	A	50A for 1 second
Burden per phase	W	≤0.6W
<b>Relay outputs</b>		
Number of relays	Nr.	2
Contact arrangement		1 changeover contact/SPDT each
Rated operational voltage AC (IEC)	VAC	250
UL/CSA and IEC/EN 60947-5-1 designation		For NO contact: 5A 250VAC AC1/C300; 5A 30VDC For NC contact: 2A 250VAC AC1/C300; 2A 30VDC
<b>Digital inputs</b>		
Number and type of inputs		4 negative (PNP)
Input voltage		12VDC isolated
Input current	mA	7
<b>Connections</b>		
Terminals type		Screw - removable
Tightening torque for terminals	max	Nm 0.8
	max	lbin 4.5
Conductor cross section		
AWG/Kcmil	min	AWG 24
	Max	AWG 12
IEC		

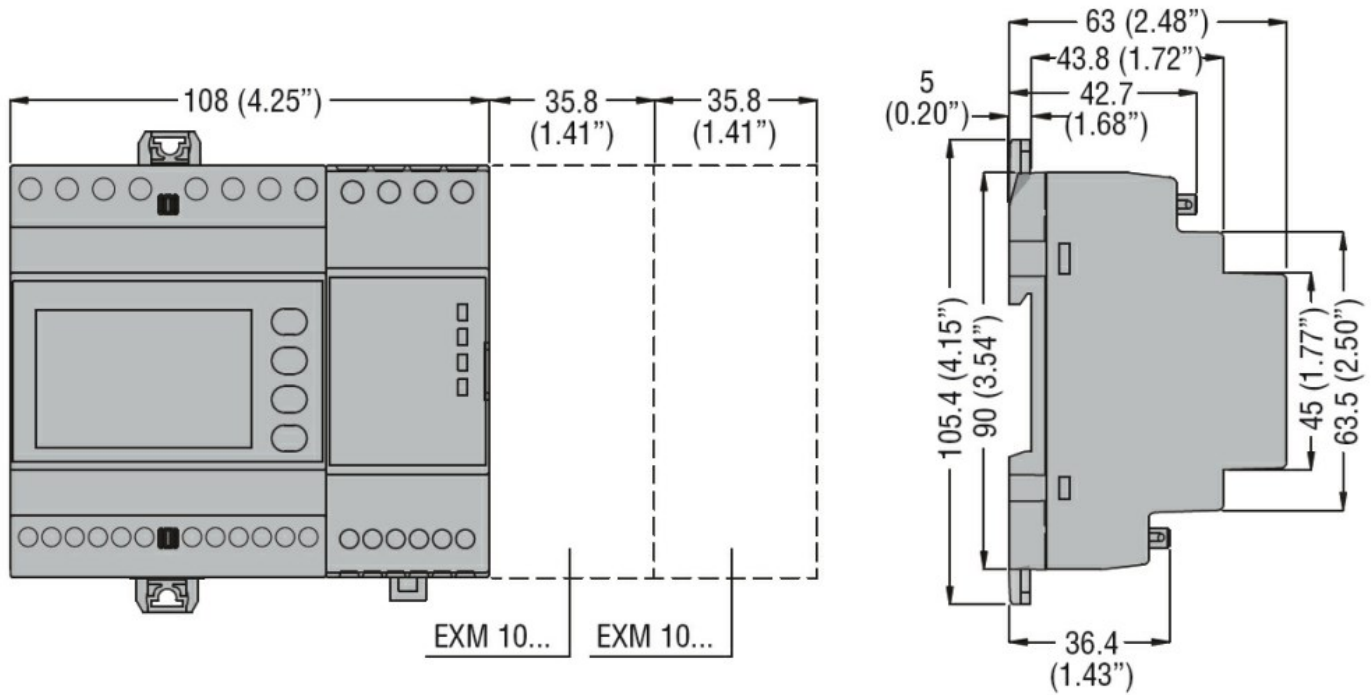
INTERFACE PROTECTION UNIT COMPLIANT WITH SHAMS DUBAI DRRG (DEWA) - SEC (SAUDI ELECTRICITY COMPANY) FOR THREE-PHASE SYSTEM, WITH OR WITHOUT NEUTRAL, LOW AND MEDIUM VOLTAGE, MIN AND MAX VOLTAGE AND FREQUENCY DUAL THRESHOLD PROTECTION, R.O.C.O.F AND VECTOR SHIFT, 230VAC - 400VAC

min	mm <sup>2</sup>	0.2
Max	mm <sup>2</sup>	4

**Housing**

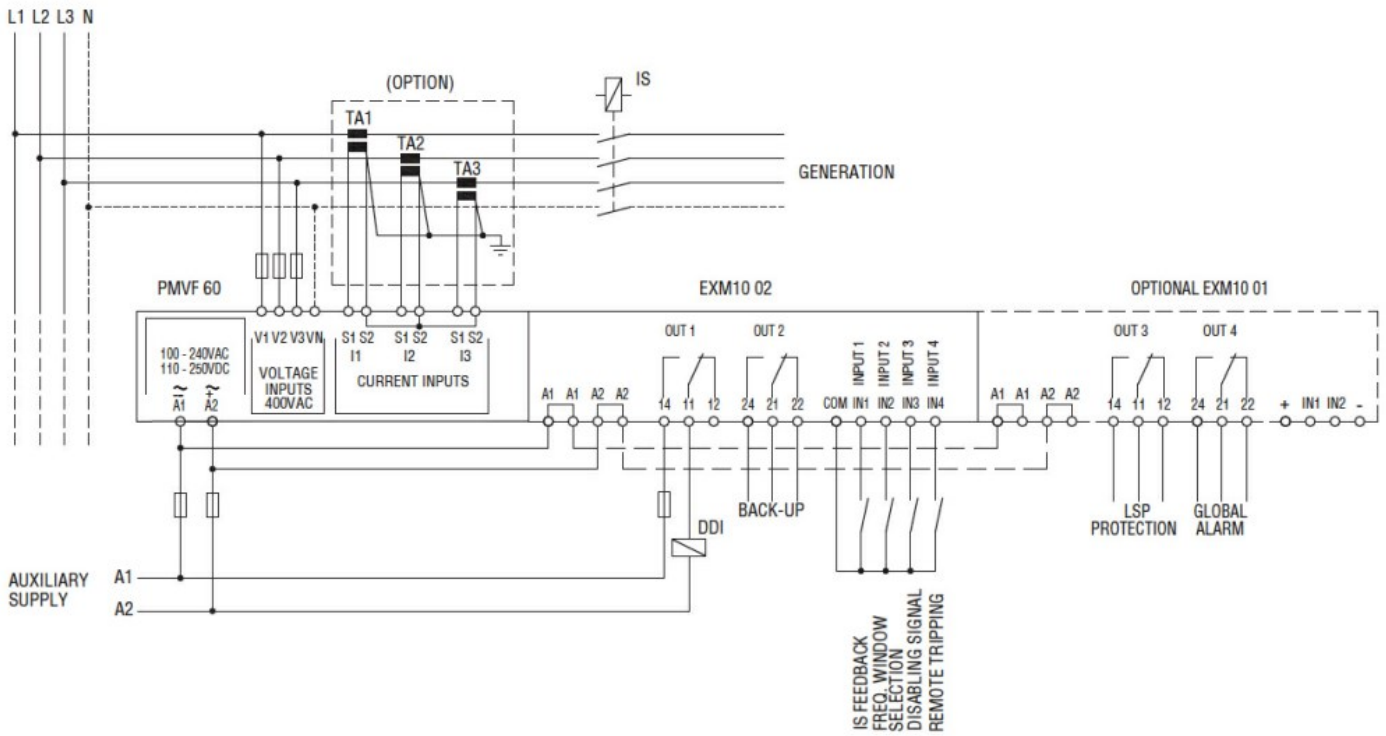
Execution (n° of modules)	6
Material	Polyamide
Mounting	Modular 6U
IEC degree of protection	IP40 on front; IP20 at terminals
Dimensions (W x H x D)	mm 108 x 105.4 x 63
Weight	g 470

**Dimensions [mm (in)]**



**Wiring diagrams**

INTERFACE PROTECTION UNIT COMPLIANT WITH SHAMS DUBAI DRRG (DEWA) - SEC (SAUDI ELECTRICITY COMPANY) FOR THREE-PHASE SYSTEM, WITH OR WITHOUT NEUTRAL, LOW AND MEDIUM VOLTAGE, MIN AND MAX VOLTAGE AND FREQUENCY DUAL THRESHOLD PROTECTION, R.O.C.O.F AND VECTOR SHIFT, 230VAC - 400VAC



**Certifications and compliance**

**Compliance**

IEC/EN 60255-26  
IEC/EN 60255-27

**Certificates**

SEC (Saudi Electricity Company) TECHNICAL STANDARD  
SHAMS DUBAI - DRRG STARDARDS VERSION 2.0

**ETIM classification**

ETIM 8.0

EC001438 -  
Voltage  
monitoring relay