



Product designation	Earth leakage relays		
Product type designation	R1D		
General characteristics			
Description	Flush mount with transparent cover, 1 operating threshold		
Control circuit			
Toroidal transformer	External		
Adjustments			
Tripping set-point ($I_{\Delta n}$)	(x0.1)	A	0.025...0.25
	(x1)	A	0.25...2.5
	(x10)	A	2.5...25
	(external multiplier)	A	25...250
Tripping delay time	(tx1)	s	0.02...0.5
	(tx10)	s	0.2...5
Selection of multiplier for $I_{\Delta n}$ and t	By dip switches		
Resetting	Configurable automatic or manual by button on front		
Test Button	Yes		
Shunt circuit control	No		
Auxiliary supply			
Auxiliary rated supply voltage U_s	110... 125VAC/DC; 220... 240/380... 415VAC		
Operational limits	110... 125VAC/DC or 220...240VAC or 380...415VAC		
Output contacts	1		
Rated frequency	Hz	50...60	
Power consumption Max	VA	5.5	
Relay outputs			
Relay state	Normally de-energised		
Contact arrangement	1 changeover SPDT (trip)		
Rated contact capacity IEC I_{th}	5A - 250VAC		
Insulations			
Power frequency withstand voltage	kV	2.5kV for 60s	

Indications

Auxiliary voltage available (ON)	Green LED
Relay tripping (TRIP)	Red LED

Connections

Terminals type	Fixed
Tightening torque for terminals	

max	Nm	0.5
max	lbin	4.5

Conductor section

AWG/Kcmil

min		24
max		12

IEC

min	mm ²	0.2
max	mm ²	2.5

Operations

Mechanical life	cycles	50000000
Electrical life	cycles	300000

Ambient conditions

Temperature

Operating temperature

min	°C	-10
max	°C	+60

Storage temperature

min	°C	-20
max	°C	+80

Relative humidity

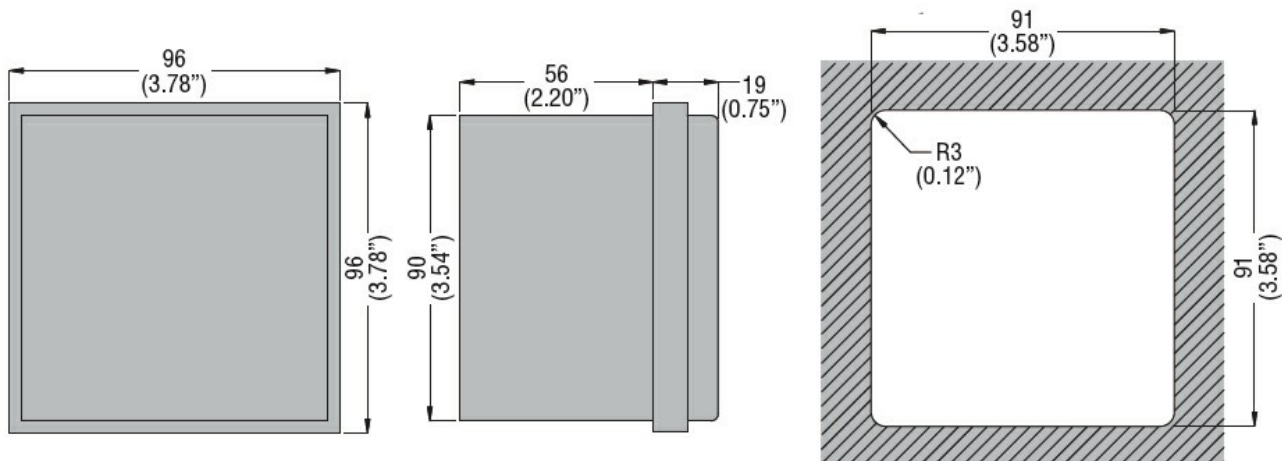
% ≤90%

Housing

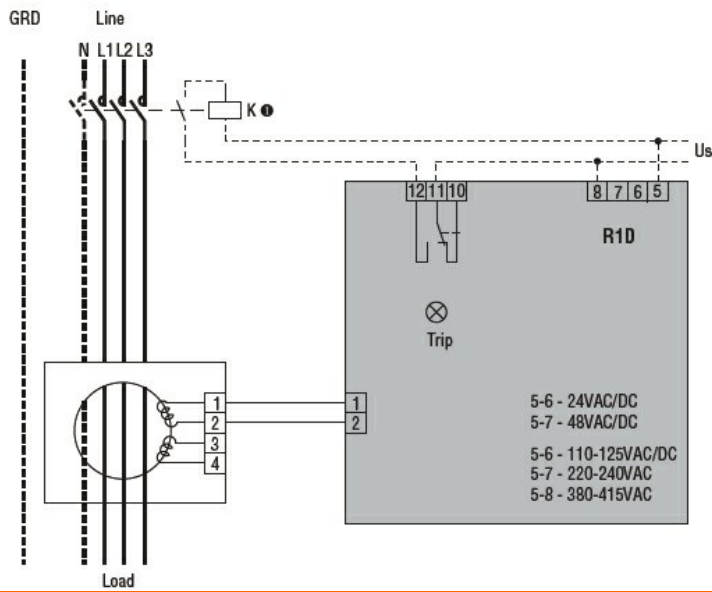
Material	Self-extinguishing polycarbonate
Mounting	Flush mount

Degree of protection	IP40 with protecting cover, IP20 terminals
Dimensions (W x H x D)	mm 96x96x75
Weight	g 280

Dimensions [mm (in)]



Wiring diagrams



Certifications and compliance

Compliant with standards

IEC/EN 60947-2

Certificates

EAC

ETIM classification

ETIM 8.0

EC001445 -
Residual current
monitoring relay