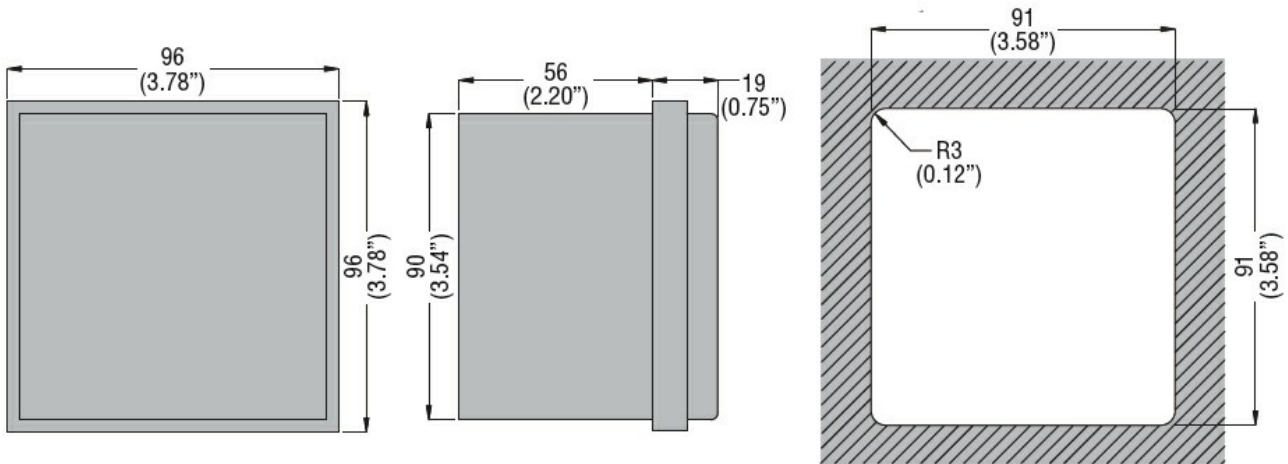


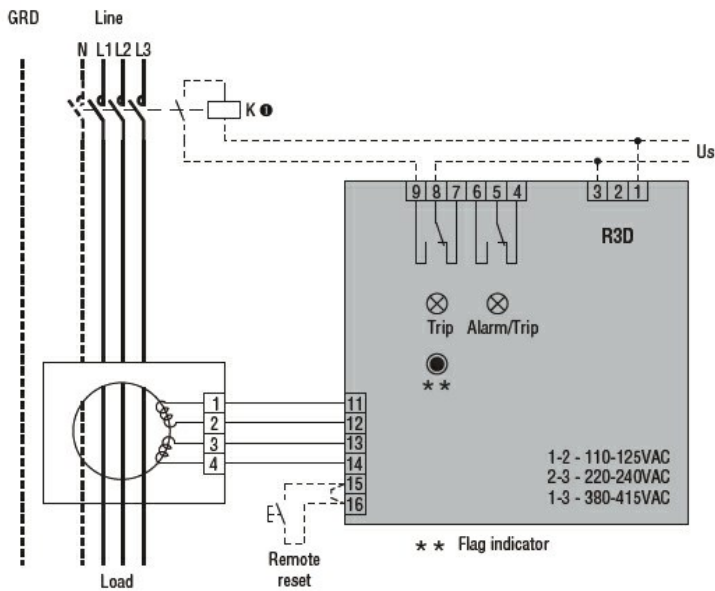


Product designation	Earth leakage relays		
Product type designation	R3D		
General characteristics			
Description	Flush mount with transparent cover, 2 operating thresholds		
Control circuit			
Toroidal transformer	External		
Adjustments			
Tripping set-point ($I_{\Delta n}$)	(x0.1)	A	0.025...0.25
	(x1)	A	0.25...2.5
	(x10)	A	2.5...25
	(external multiplier)	A	25...250
Prealarm set-point		$I_{\Delta n}$	70% $I_{\Delta n}$ (fixed)
Tripping delay time	(tx1)	s	0.02...0.5
	(tx10)	s	0.2...5
Selection of multiplier for $I_{\Delta n}$ and t	By dip switches		
Resetting	Automatic by remote contact closing. Manual by button on front or remote contact closing		
Test Button	Yes		
Shunt circuit control	No		
Auxiliary supply			
Auxiliary rated supply voltage U_s	110...125/220...240/380...415VAC		
Operational limits	110...125VAC or 220...240VAC or 380...415VAC		
Output contacts	2		
Rated frequency	Hz	50...60	
Power consumption Max	VA	4.5	
Relay outputs			
Relay state	Configurable normally de-energised or energised		

Contact arrangement				2 changeover SPDT each (configurable: 2 trip or 1 trip and 1 alarm)
Rated contact capacity IEC Ith				5A - 250VAC
Insulations				
Power frequency withstand voltage			kV	2.5kV for 60s
Indications				
Auxiliary voltage available (ON)				Green LED
Relay tripping (TRIP)				Red LED
Trip prealarm (ALARM)				Red LED
Mechanical (TRIP MEMORY)				Flag indicator
Connections				
Terminals type				Fixed
Tightening torque for terminals			max Nm	0.5
			max lbin	4.5
Conductor section	AWG/Kcmil		min	24
			max	12
	IEC		min mm ²	0.2
			max mm ²	2.5
Operations				
Mechanical life			cycles	50000000
Electrical life			cycles	300000
Ambient conditions				
Temperature	Operating temperature		min °C	-10
			max °C	+60
	Storage temperature		min °C	-20
			max °C	+80
Relative humidity			%	≤90%
Housing				
Material				Self-extinguishing polycarbonate
Mounting				Flush mount
Degree of protection				IP40 with protecting cover, IP20 terminals
Dimensions (W x H x D)			mm	96x96x75
Weight			g	405
Dimensions [mm (in)]				



Wiring diagrams



Certifications and compliance

Compliant with standards

IEC/EN 60947-2

Certificates

EAC

ETIM classification

ETIM 8.0

EC001445 -
Residual current
monitoring relay