



Product designation	Earth leakage relays		
Product type designation	RM1		
<b>General characteristics</b>			
Description	Modular with transparent cover, 1 operating threshold		
<b>Control circuit</b>			
Toroidal transformer	External		
<b>Adjustments</b>			
Tripping set-point ( $I_{\Delta n}$ )	(x1)	A	0.3 or 0.5
Tripping delay time	(tx1)	s	0.02 or 0.5
Resetting	Configurable automatic or manual by button on front		
Test Button	Yes		
Shunt circuit control	No		
<b>Auxiliary supply</b>			
Auxiliary rated supply voltage $U_s$	110... 125VAC/DC;220... 240/380... 415VAC		
Operational limits	110... 125VAC/DC or 220...240VAC or 380...415VAC		
Output contacts	1		
Rated frequency	Hz	50...60	
Power consumption Max	VA	3	
<b>Relay outputs</b>			
Relay state	Normally de-energised		
Contact arrangement	1 changeover SPDT (trip)		
Rated contact capacity IEC $I_{th}$	5A - 250VAC		
<b>Insulations</b>			
Power frequency withstand voltage	kV	2.5kV for 60s	
<b>Indications</b>			
Auxiliary voltage available (ON)	Green LED		
Relay tripping (TRIP)	Red LED		
<b>Connections</b>			
Terminals type	Fixed		

Tightening torque for terminals

max	Nm	0.5
max	lbin	4.5

Conductor section

AWG/Kcmil

min		24
max		12

IEC

min	mm <sup>2</sup>	0.2
max	mm <sup>2</sup>	2.5

Operations

Mechanical life cycles 50000000

Electrical life cycles 300000

Ambient conditions

Temperature

Operating temperature

min	°C	-10
max	°C	+60

Storage temperature

min	°C	-20
max	°C	+80

Relative humidity

% ≤90%

Housing

Material Self-extinguishing polycarbonate

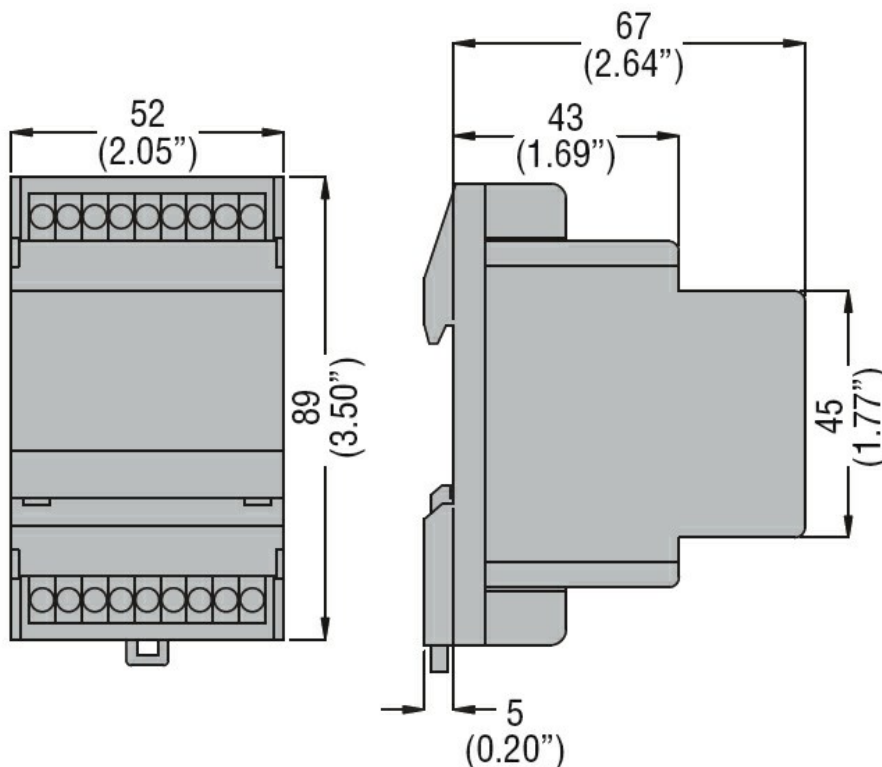
Mounting 35mm DIN rail

Degree of protection IP20 terminals

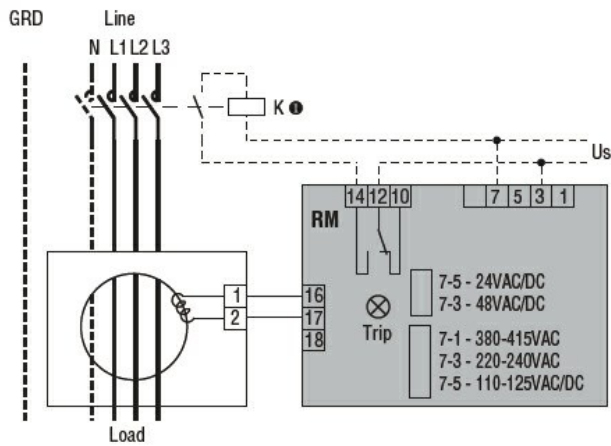
Dimensions (W x H x D) mm 52x89x72

Weight g 175

Dimensions [mm (in)]



Wiring diagrams



### Certifications and compliance

Compliant with standards

IEC/EN 60947-2

Certificates

EAC

### ETIM classification

ETIM 8.0

EC001445 -  
Residual current  
monitoring relay