



Product designation	SRA	
Product type designation	Single function	
General characteristics		
Functions	Devices OSSD	
Auxiliary supply		
Nominal auxiliary voltage supply	24VDC	
Operating range	V	22...26VDC / 20.4...27.6VAC
Overvoltage category	III	
Insulation voltage	kV	4
Protections	Signaling output protected from overload	
Input characteristics		
Number of inputs	Nr.	2
Input current	mA	Typical 4.3
Input voltage	0-30VDC	
Output characteristics		
Number of safe outputs NO	Nr.	2
Number of safe outputs NC	Nr.	0
Number of feedback outputs	Nr.	1PNP
Output type	Relays with forcibly guided contacts	
Output contacts ratings	AC1 250V: 6A- 2000VA AC15 230V: 5A DC13 24V: 2A	
UL 508 ratings	Pilot duty: B300- Q300	
Mechanical life	cycles	>10 ⁷
Electrical life AC1 at 360 commutations/h	cycles	10 ⁵
Safety parameters		
ISO 13849-1 security category	Cat. 4	
ISO 13849-1 performance level	PLe	
Mechanical features		
Fixing	35mm DIN rail	
Weight	g	150
Ambient conditions		
Protection degree	IP40 on front IP20 on terminals	
Pollution degree	2	
Temperature		
Operating temperature	min	°C -25
	max	°C +55

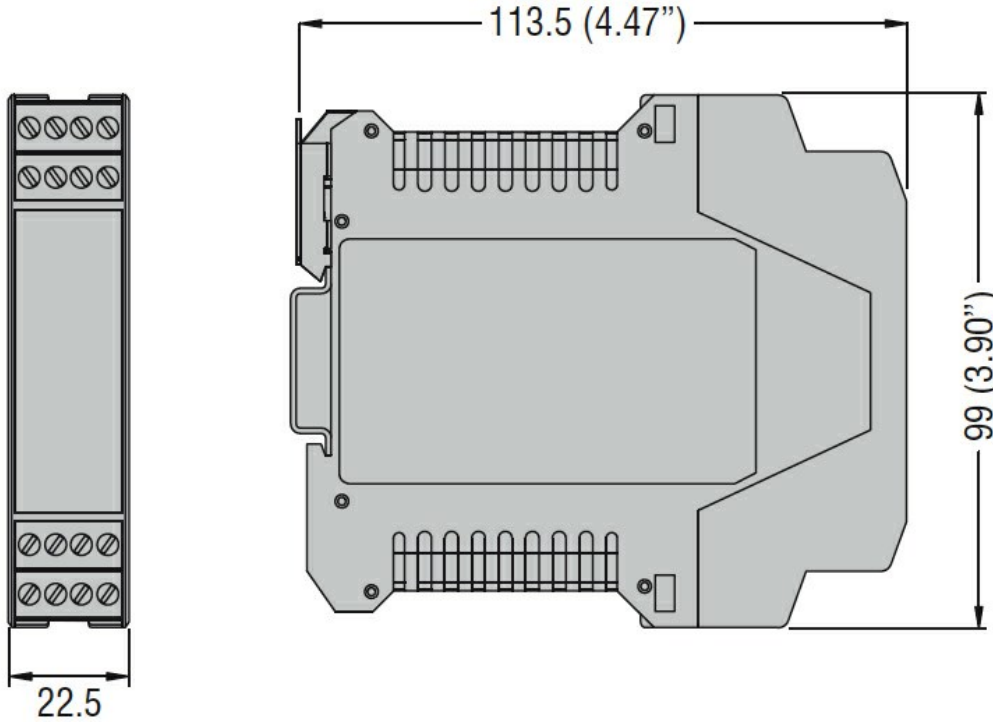
Storage temperature

min	°C	-30
max	°C	+70

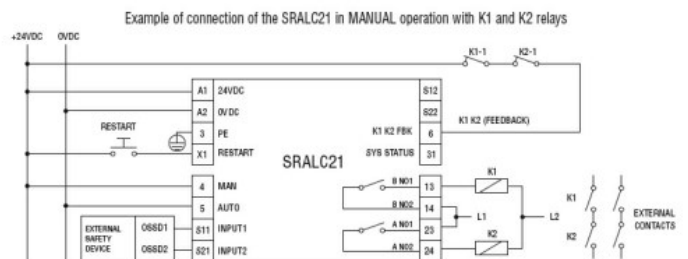
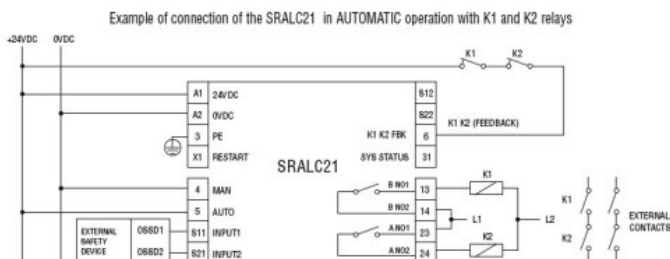
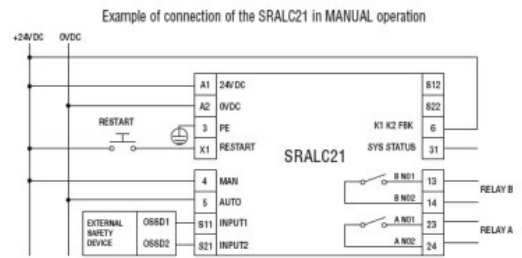
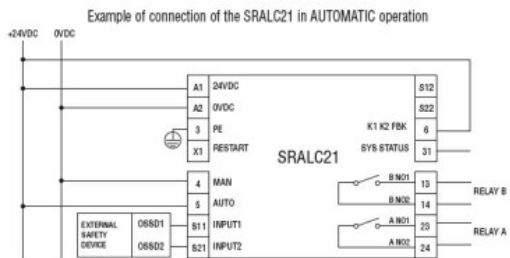
Relative humidity

%	≤95
---	-----

Dimensions [mm (in)]



Wiring diagrams



Certifications and compliance

Compliance

EN/BS 62061

EN/ISO/BS 13849-1

Certificates

cULus

TUV

ETIM classification

ETIM 8.0

EC001449 -
Device for
monitoring of
safety-related
circuits