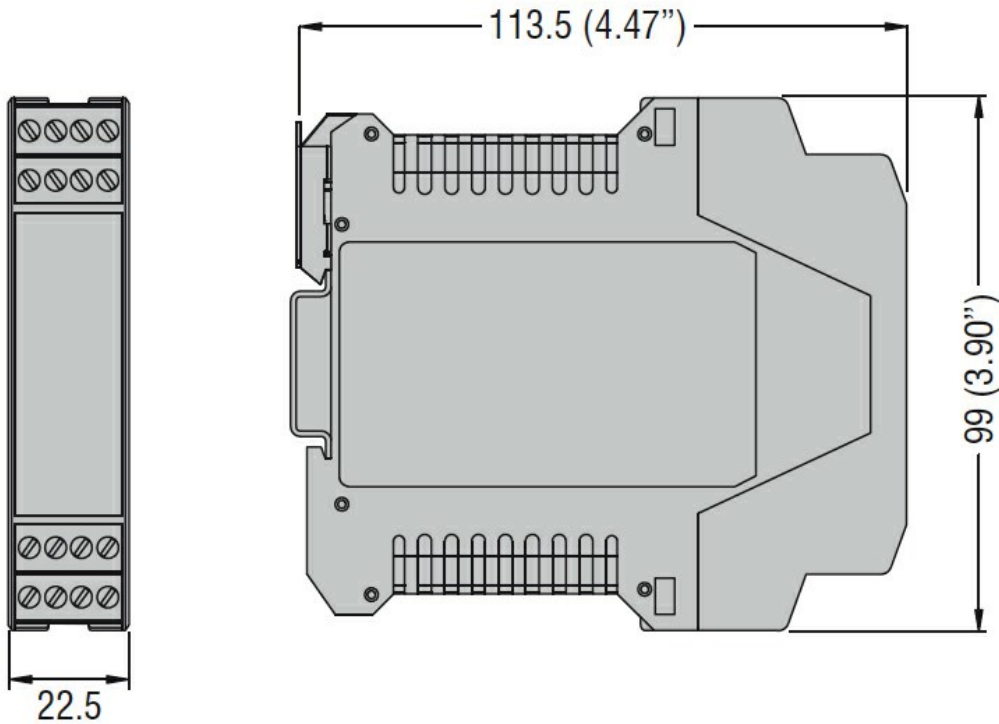




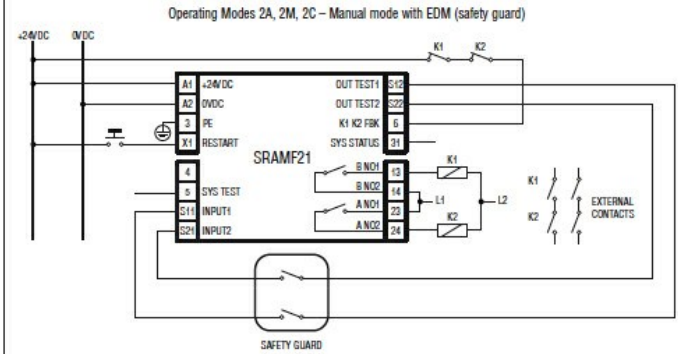
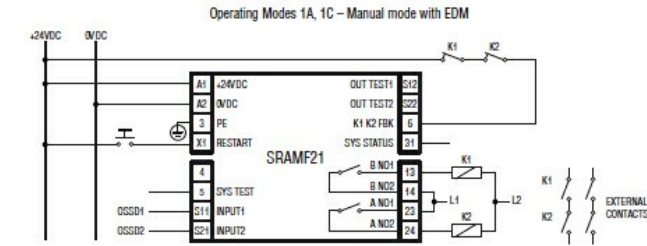
Product designation	SRA	
Product type designation	Multifunction	
<b>General characteristics</b>		
Functions	Safety barrier with fail safe OSSD outputs; RFID; Emergency stop button; Gate monitoring applications; Two-hand devices control; Type 2 safety photocells	
<b>Auxiliary supply</b>		
Nominal auxiliary voltage supply	24VDC	
Operating range	V	19...29VDC
Overvoltage category	III	
Insulation voltage	kV	4
Protections	Signaling output protected from overload	
<b>Input characteristics</b>		
Number of inputs	Nr.	2
Input current	mA	Typical 4.3
Input voltage	0-30VDC	
<b>Output characteristics</b>		
Number of safe outputs NO	Nr.	2
Number of safe outputs NC	Nr.	0
Number of feedback outputs	Nr.	1PNP
Output type	Relays with forcibly guided contacts	
Output contacts ratings	AC1 250V: 6A-2000VA AC15 230V: 5A DC13 24V: 2A	
UL 508 ratings	Pilot duty: B300-Q300	
Mechanical life	cycles	>10 <sup>7</sup>
Electrical life AC1 at 360 commutations/h	cycles	10 <sup>5</sup>
<b>Safety parameters</b>		
ISO 13849-1 security category	Cat. 4	
ISO 13849-1 performance level	PLe	
<b>Mechanical features</b>		
Fixing	35mm DIN rail	

Weight		g	150
<b>Ambient conditions</b>			
Protection degree			IP40 on front IP20 on terminals
Pollution degree			2
Temperature	Operating temperature	min	°C -25
		max	°C +55
	Storage temperature	min	°C -30
		max	°C +70
Relative humidity		%	≤95

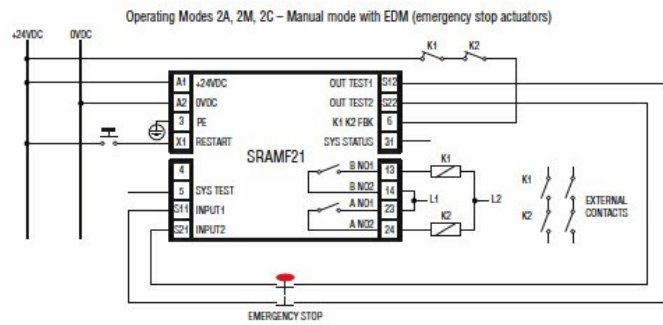
**Dimensions [mm (in)]**



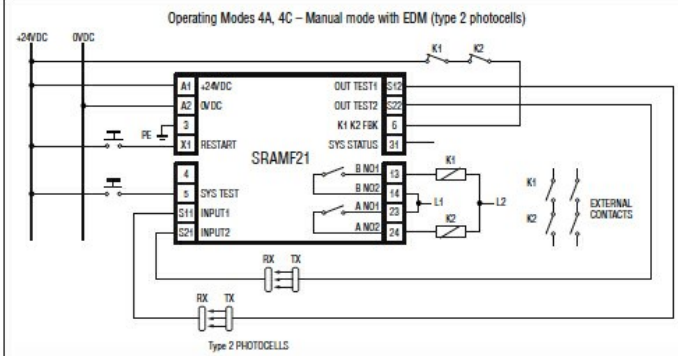
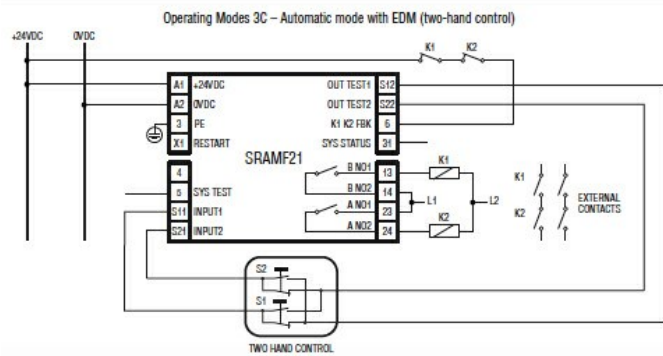
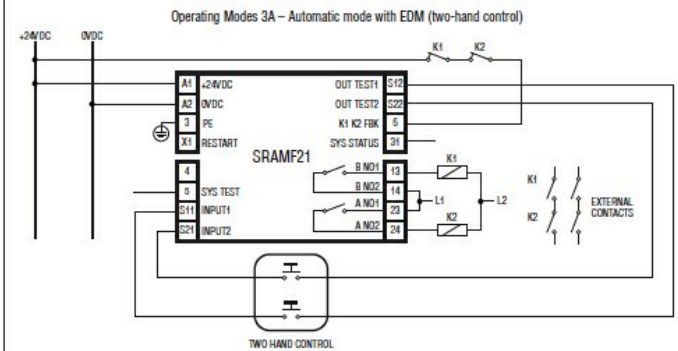
**Wiring diagrams**



(Mode 2M) When pin X1 is permanently connected to 24VDC the module works in Automatic Restart mode



(Mode 2M) When pin X1 is permanently connected to 24VDC the module works in Automatic Restart mode



**Certifications and compliance**

**Compliance**

EN/BS 62061  
EN/ISO/BS 13849-1

**Certificates**

cULus  
TUV

**ETIM classification**

ETIM 8.0

EC001449 -  
Device for  
monitoring of  
safety-related  
circuits