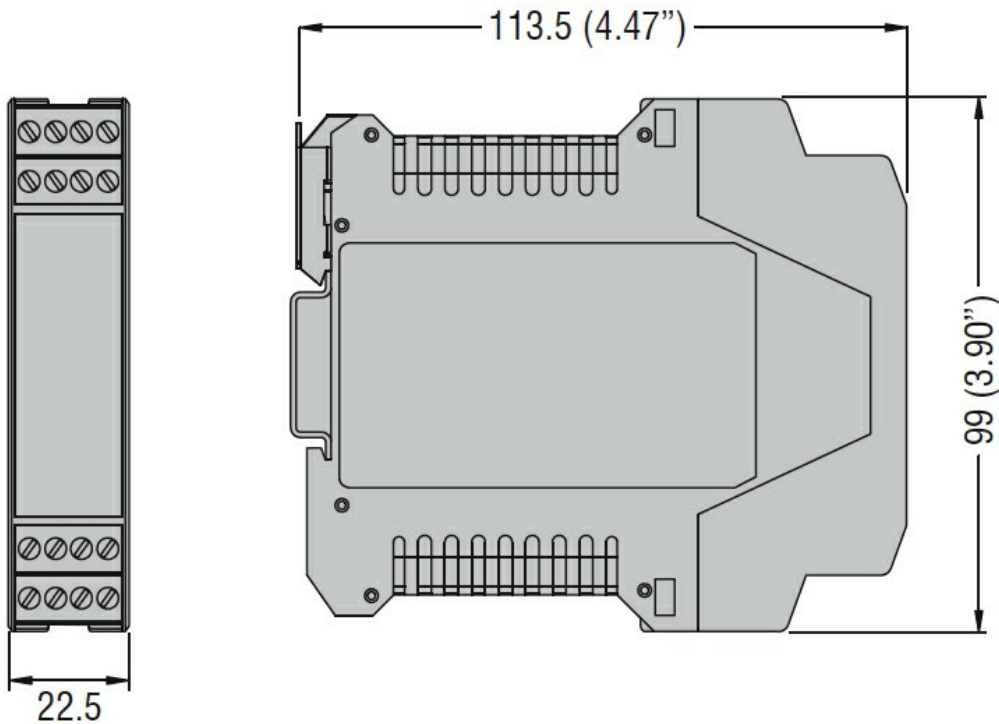




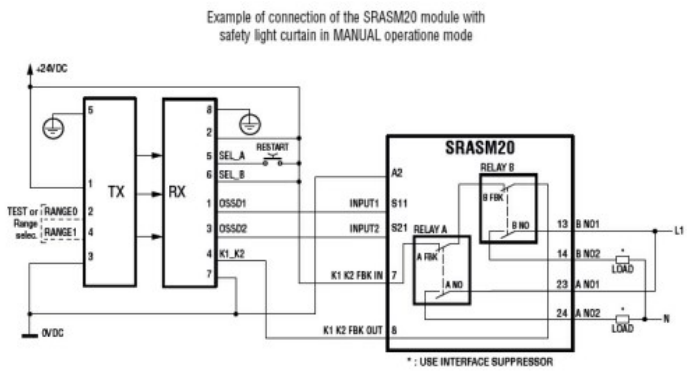
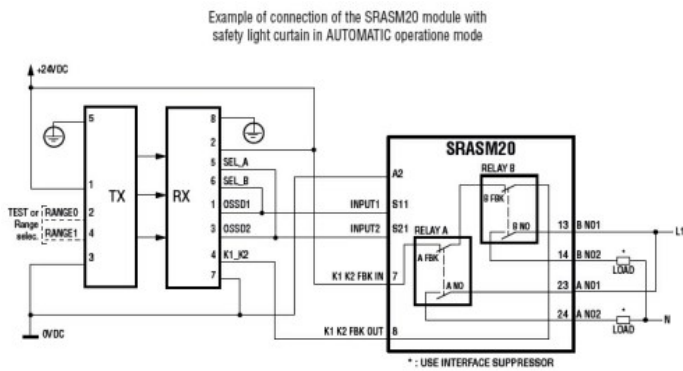
Product designation	SRA		
Product type designation	Single function		
General characteristics			
Functions	Devices OSSD		
Auxiliary supply			
Nominal auxiliary voltage supply	24VDC		
Operating range	V	22...26VDC / 20.4...27.6VAC	
Overvoltage category	III		
Insulation voltage	kV	4	
Input characteristics			
Number of inputs	Nr.	2	
Input current	mA	Typical 4.3	
Input voltage	0-30VDC		
Output characteristics			
Number of safe outputs NO	Nr.	2	
Number of safe outputs NC	Nr.	0	
Number of feedback outputs	Nr.	0	
Output type	Relays with forcibly guided contacts		
Output contacts ratings	AC1 250V: 6A- 2000VA AC15 230V: 5A DC13 24V: 2A		
UL 508 ratings	Pilot duty: B300- Q300		
Mechanical life	cycles	>10 ⁷	
Electrical life AC1 at 360 commutations/h	cycles	10 ⁵	
Safety parameters			
ISO 13849-1 security category	Cat. 4		
ISO 13849-1 performance level	PLe		
Mechanical features			
Fixing	35mm DIN rail		
Weight	g	150	
Ambient conditions			
Protection degree	IP40 on front IP20 on terminals		
Pollution degree	2		
Temperature			
Operating temperature	min	°C	-25
	max	°C	+55
Storage temperature	min	°C	-30
	max	°C	+70

Relative humidity % ≤95

Dimensions [mm (in)]



Wiring diagrams



Certifications and compliance

Compliance

EN/BS 62061
EN/ISO/BS 13849-1

Certificates

cULus
TUV

ETIM classification

ETIM 8.0

EC001449 -
Device for
monitoring of
safety-related
circuits