



FEATURES

- Built-in NFC for reading and setting parameters through mobile app
- Real-time monitoring of system condition
- Built-in self test and soft recovery watchdog
- Internal relay failure (IRF) alarm for system abnormalities
- Time-stamp event record of power failure and setting changes up to 120 events.
- Time-stamp record of up to 30 faults and 30 pickups
- Two-stage setting for earth fault
- 5 selectable IDMT and definite times
- Circuit breaker failure protection
- Selectable fundamental or true RMS measurement
- Selectable 50 or 60 Hz frequency
- Programmable output contacts
- Complies with IEC 60255 standard
- ANSI code: 50G, 50N, 51N, 50BF

SPECIFICATIONS

RATING

Rate Current In : 5A
 Frequency : 50 or 60Hz
 Burden : <0.3VA at In
 Thermal Withstand : 4 x In Continuous

AUXILIARY SUPPLY

Supply Voltage : 198 ~ 265VAC
 Supply Frequency : 50 or 60Hz
 VA Rating : 3VA max

ACCURACY

Protection Thresholds: $\pm 3\%$ or $\pm 20\text{mA}$
 Time Delay : $\pm 3\%$ or $\pm 40\text{ms}$

NFC COMMUNICATION

Operation System : Android OS
 Software Version : Version 10 and above
 App Name : Mikro RX



SETTING RANGES

Earth-fault Setting

lo> : 0.1A -10.0A(2% -200%),
 *(Variable steps 1)
 ktlo> : 0.01 -1.00, *(Variable steps 2)
 tlo> : 0.03 -100s, *(Variable steps 2)
 lo>Delay Type : DT, NI3/10, NI1.3/10, VI, LI, EI
 lo>> : OFF/0.1 -50A(10% -1000%),
 *(Variable steps 1)
 tlo>> : 0.03 -100s, *(Variable steps 2)

OUTPUT CONTACTS

Rated Voltage : 250VAC
 Continuous Carry : 5A (Cosφ=1.0)
 Expected Electrical Life : 10⁵ operations
 Expected Mechanical Life : 5 x 10⁶ operations
 No of Output Contact : 2

ENVIRONMENTAL CONDITIONS

Operating Temperature : -10°C to 55°C
 Humidity : 5% to 95%,
 non-condensing

MECHANICAL

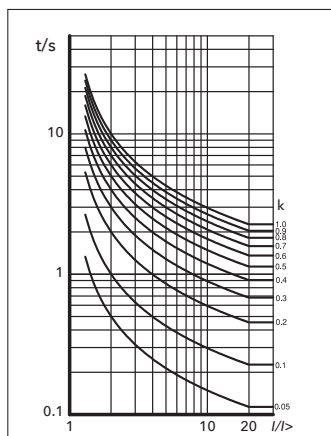
Mounting : Panel mounting
 Dimension (mm) : 96(w) x 96(h) x 90(d)
 Enclosure protection : IP54 at the panel
 IP20 at the body
 Approximate weight : 0.65kg

*Variable Steps 1: step 0.05 (<10), step 0.1 (<100)

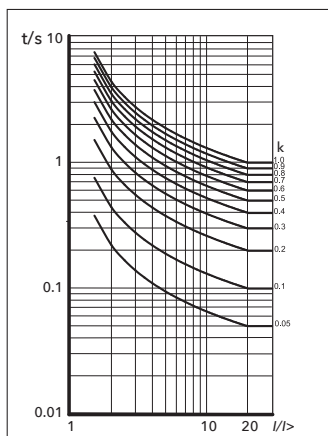
*Variable Steps 2: step 0.01 (<1), step 0.1 (<10), step 0.5 (<100)

IDMT CURVE

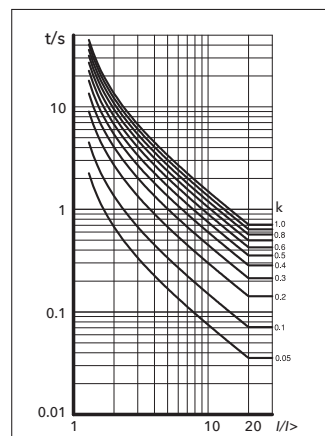
NORMAL INVERSE 3/10



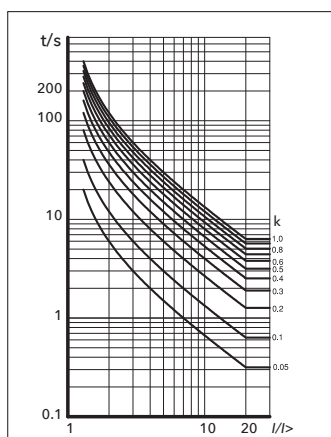
NORMAL INVERSE 1.3/10



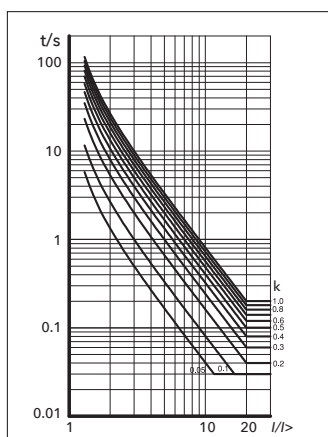
VERY INVERSE



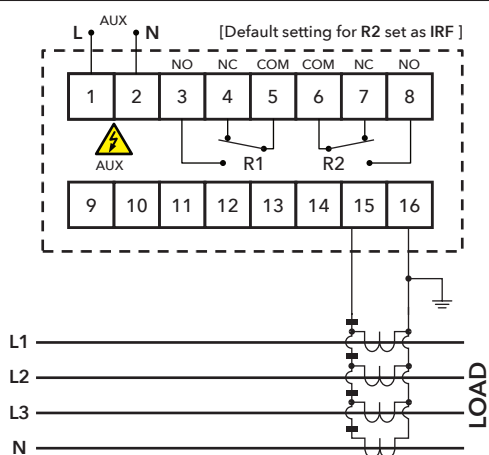
LONG-TIME INVERSE



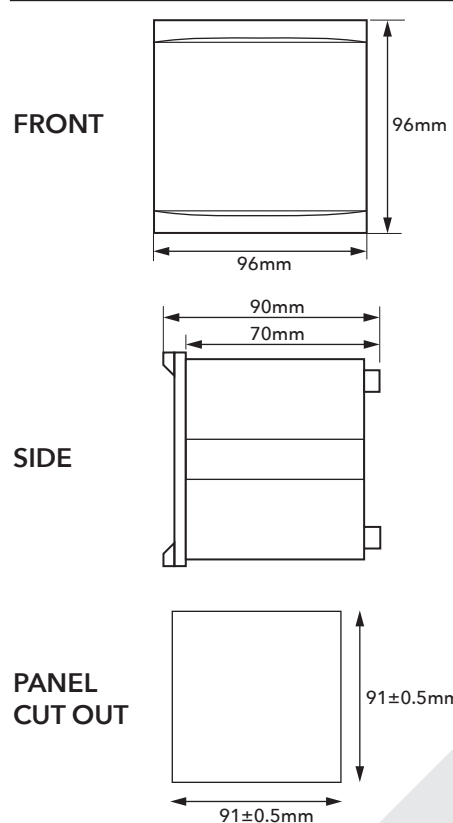
EXTREMELY INVERSE



TYPICAL APPLICATION DIAGRAM



CASE DIMENSION



ORDERING INFORMATION

MODEL	DESCRIPTION
RX232-230A	Auxiliary Voltage 198~265 V AC, frequency 50 or 60Hz