

OVERCURRENT RELAY RX233



FEATURES

- Built-in NFC for reading and setting parameters through mobile app
- Real-time monitoring of system condition
- Built-in self test and soft recovery watchdog
- Internal relay failure (IRF) alarm for system abnormalities
- Time-stamp event record of power failure and setting changes up to 120 events.
- Time-stamp record of up to 30 faults and 30 pickups
- Three-phase, three-stage setting for phase overcurrent
- 5 selectable IDMT and definite times
- Thermal overload protection
- Cold load pickup protection
- Circuit breaker failure protection
- Selectable fundamental or true RMS measurement
- Selectable 50 or 60 Hz frequency
- Programmable output contacts
- Complies with IEC 60255 standard
- ANSI code: 50P, 51P, CLP, 50BF, 49RMS

SPECIFICATIONS

RATING

| | |
|-------------------|---------------------|
| Rate Current In | : 5A |
| Frequency | : 50 or 60Hz |
| Burden | : <0.3VA at In |
| Thermal Withstand | : 4 x In Continuous |

AUXILIARY SUPPLY

| | |
|------------------|----------------|
| Supply Voltage | : 198 ~ 265VAC |
| Supply Frequency | : 50 or 60Hz |
| VA Rating | : 3VA max |

ACCURACY

| | |
|-----------------------|----------------|
| Protection Thresholds | : ±3% or ±20mA |
| Time Delay | : ±3% or ±40ms |

NFC COMMUNICATION

| | |
|------------------|------------------------|
| Operation System | : Android OS |
| Software Version | : Version 10 and above |
| App Name | : Mikro RX |



SETTING RANGES

(i) Overcurrent Setting

| | |
|---------------|--|
| 3I> | : 0.5A -12.5A(10% -250%), *(Variable steps 1) |
| ktI> | : 0.01 -1.00, *(Variable steps 2) |
| tl> | : 0.03 -100s, *(Variable steps 2) |
| 3I>Delay Type | : DT, NI3/10, NI1.3/10, VI, LI, EI |
| 3I>> | : OFF/0.5 -100A (10% -2000%), *(Variable steps 1) |
| tl>> | : 0.03 -100s, *(Variable steps 2) |
| 3I>>> | : OFF/0.5 -100A (10% -2000%), *(Variable steps 1) |
| tl>>> | : 0.03 -100s, *(Variable steps 2) |

(ii) Thermal Overload Setting

| | |
|---------|--|
| θ> | : OFF/0.5A -10.0A (10% -200%), (step 0.05A) |
| Tθ | : 1 to 200 minutes, (step 1min) |
| ktIθ> | : 1.00 -1.50, (step 0.01) |
| θ Trip | : 50 to 200%, (step 1%) |
| θ Alarm | : 50 to 200%, (step 1%) |

OUTPUT CONTACTS

| | |
|--------------------------|----------------------------------|
| Rated Voltage | : 250VAC |
| Continuous Carry | : 5A (Cosφ=1.0) |
| Expected Electrical Life | : 10 ⁵ operations |
| Expected Mechanical Life | : 5 x 10 ⁶ operations |
| No of Output Contact | : 2 |

ENVIRONMENTAL CONDITIONS

| | |
|-----------------------|--------------------------------|
| Operating Temperature | : -10°C to 55°C |
| Humidity | : 5% to 95%, non-condensing |

MECHANICAL

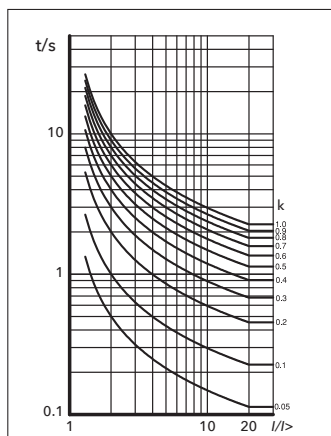
| | |
|----------------------|---|
| Mounting | : Panel mounting |
| Dimension (mm) | : 96(w) x 96(h) x 90(d) |
| Enclosure protection | : IP54 at the panel IP20 at the body |
| Approximate weight | : 0.80kg |

*Variable Steps 1: step 0.05 (<10), step 0.1 (<100)

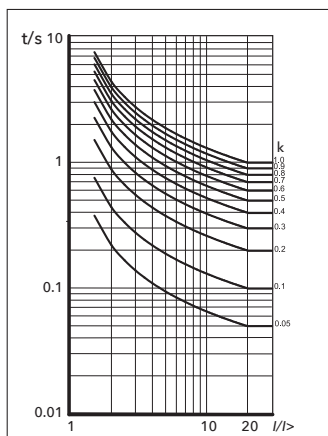
*Variable Steps 2: step 0.01 (<1), step 0.1 (<10), step 0.5 (<100)

IDMT CURVE

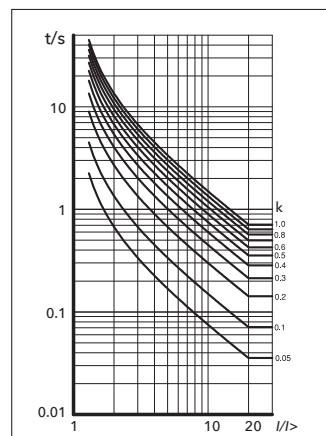
NORMAL INVERSE 3/10



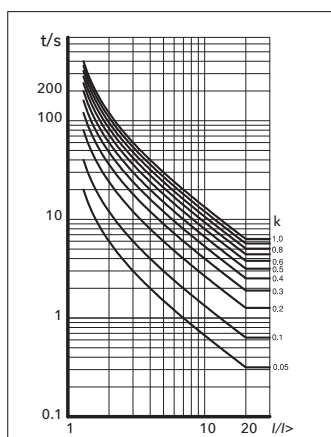
NORMAL INVERSE 1.3/10



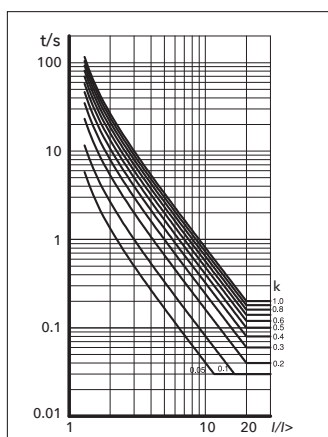
VERY INVERSE



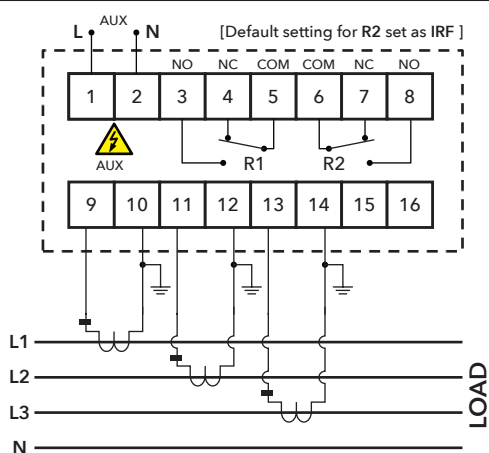
LONG-TIME INVERSE



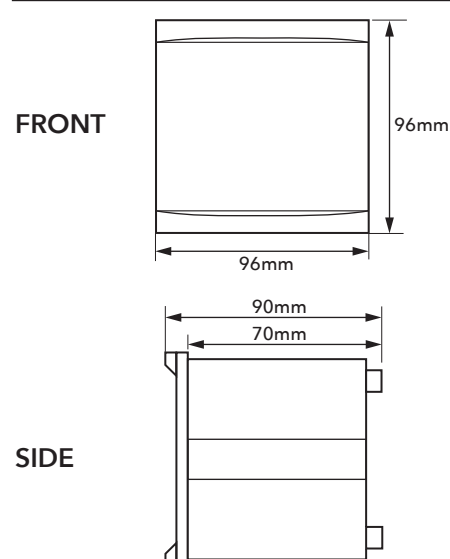
EXTREMELY INVERSE



TYPICAL APPLICATION DIAGRAM



CASE DIMENSION



ORDERING INFORMATION

| MODEL | DESCRIPTION |
|------------|--|
| RX233-230A | Auxiliary Voltage 198~265 V AC, frequency 50 or 60Hz |

