

Time Switch FM Series

- Modular construction
- Inbuilt over-ride facility
- High switching capacity
- Tamper proof sealing
- Analog version
- Daily/Weekly programming



Ordering Information

Cat. No.	Description	
J648B1	FM/1 QT	240 VAC, Daily Dial, Base / DIN Mounting*
J848B1	FM/1 QW	240 VAC, Weekly Dial, Base / DIN Mounting*
J638B1	FM/1 QT	110 VAC, Daily Dial, Base / DIN Mounting*
J838B1	FM/1 QW	110 VAC, Weekly Dial, Base / DIN Mounting*

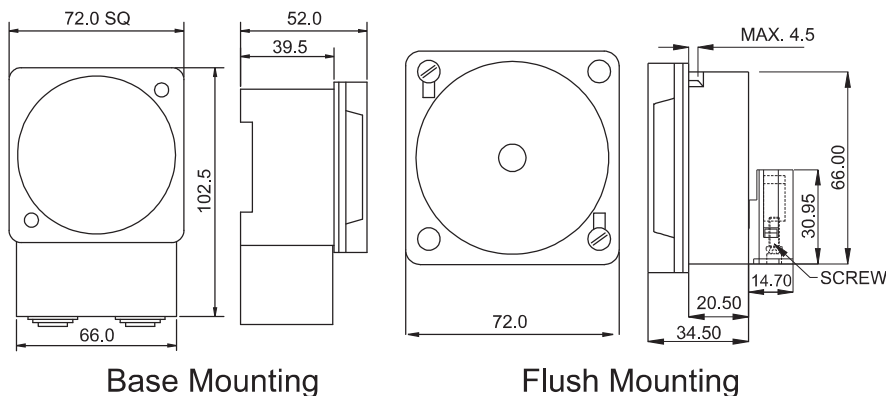
Note: For Flush Mounting model, replace B by F in Cat. No.

Time Switch FM Series

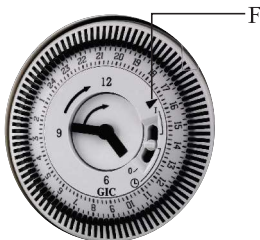
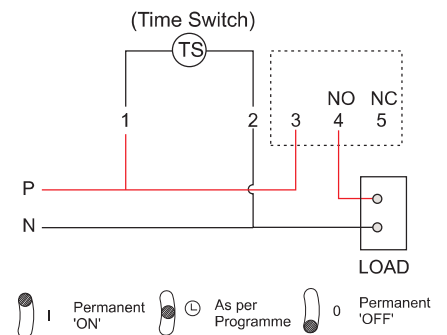


Cat. No.		J648B1
Parameters		
Supply Voltage \oplus	240 VAC	
Frequency	50/60 Hz	
Power Consumption (Max.)	2 VA	
Accuracy	± 1.5 s/day at 20°C	
Relay Output	1 C/O	
Contact Rating	Resistive	16A @ 250 VAC, 0.25A @ 220VDC
	Inductive ($\cos\phi = 0.6$)	8A @ 250 VAC, 0.1A @ 220 VDC
	Incandescent Lamp	1350 W
Shortest Switching Time	Daily	15min
	Weekly	2h
Power reserve	150h	
Memory locations	N. A.	
Storage Temperature	- 20°C to + 55°C	
Manual Over-ride	Provided	
Mounting	Flush, Base / DIN rail	
Weight (unpacked)	185 g	

MOUNTING DIMENSION (mm)



CONNECTION DIAGRAM



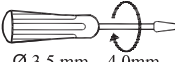

TIME SETTING:

Rotate the switching Dial in clockwise direction until the current time (day / time incase of weekly model) is almost opposite to the marking arrow F. For fine adjustment rotate the minute hand in the clockwise direction until the clock shows the current time.

PROGRAMMING:

Required Switch ON time is set on the Switching Dial by radially pulling outwards the corresponding black segments. Each segment on daily dial corresponds to 15 mins. & on weekly Dial corresponds to 2 hours.

TERMINAL TORQUE & CAPACITY

 Ø 3.5 mm....4.0mm	0.60 N.m (6 Lb.in)
	1 x 4.0 mm ² Solid/Stranded Wire
AWG	1 x 20 to 10

*Products available for sale in selected Countries