

Time Switch FM Series

- Modular construction
- Inbuilt over-ride facility
- High switching capacity
- Tamper proof sealing
- Analog version
- Daily/Weekly programming



Ordering Information

| Cat. No. | Description | |
|----------|-------------|--|
| J648B1 | FM/1 QT | 240 VAC, Daily Dial, Base / DIN Mounting* |
| J848B1 | FM/1 QW | 240 VAC, Weekly Dial, Base / DIN Mounting* |
| J638B1 | FM/1 QT | 110 VAC, Daily Dial, Base / DIN Mounting* |
| J838B1 | FM/1 QW | 110 VAC, Weekly Dial, Base / DIN Mounting* |

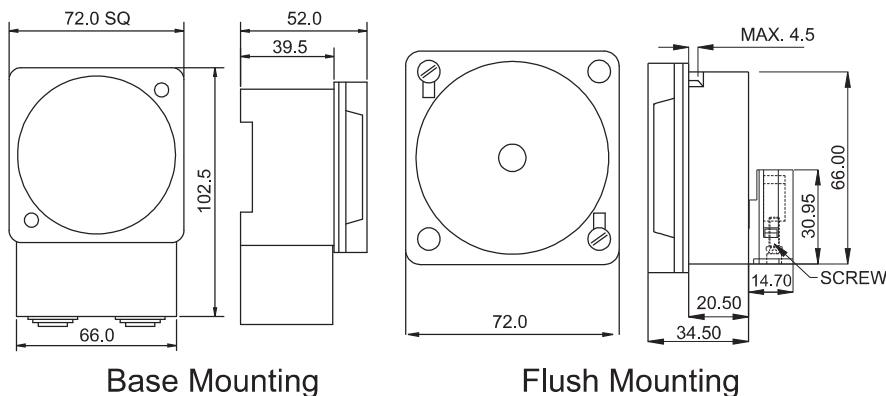
Note: For Flush Mounting model, replace B by F in Cat. No.

Time Switch FM Series

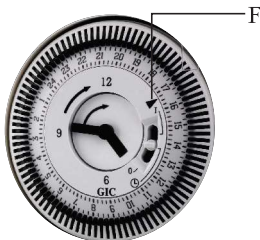
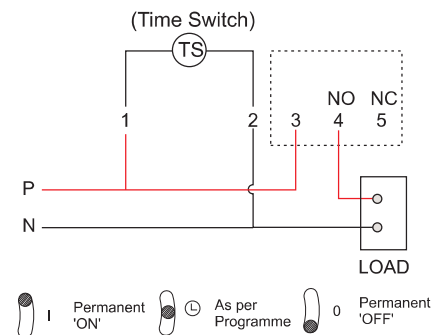


| Cat. No. | | J648B1 |
|--------------------------|--------------------------------|-------------------------------|
| Parameters | | |
| Supply Voltage \oplus | | 240 VAC |
| Frequency | | 50/60 Hz |
| Power Consumption (Max.) | | 2 VA |
| Accuracy | | ± 1.5 s/day at 20°C |
| Relay Output | | 1 C/O |
| Contact Rating | Resistive | 16A @ 250 VAC, 0.25A @ 220VDC |
| | Inductive ($\cos\phi = 0.6$) | 8A @ 250 VAC, 0.1A @ 220 VDC |
| | Incandescent Lamp | 1350 W |
| Shortest Switching Time | Daily | 15min |
| | Weekly | 2h |
| Power reserve | | 150h |
| Memory locations | | N. A. |
| Storage Temperature | | - 20°C to + 55°C |
| Manual Over-ride | | Provided |
| Mounting | | Flush, Base / DIN rail |
| Weight (unpacked) | | 185 g |

MOUNTING DIMENSION (mm)



CONNECTION DIAGRAM



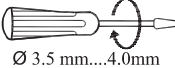

TIME SETTING:

Rotate the switching Dial in clockwise direction until the current time (day / time incase of weekly model) is almost opposite to the marking arrow F. For fine adjustment rotate the minute hand in the clockwise direction until the clock shows the current time.

PROGRAMMING:

Required Switch ON time is set on the Switching Dial by radially pulling outwards the corresponding black segments. Each segment on daily dial corresponds to 15 mins. & on weekly Dial corresponds to 2 hours.

TERMINAL TORQUE & CAPACITY

| | |
|--|---|
|  Ø 3.5 mm....4.0mm | 0.60 N.m (6 Lb.in) |
|  | 1 x 4.0 mm ² Solid/Stranded Wire |
| AWG | 1 x 20 to 10 |

*Products available for sale in selected Countries