

Hour Meter Series HM 36

- Robust design with high degree of Accuracy and Compact size
- Frequency independent for AC applications
- Indicates operating time in hours and tenths with running indicators
- Totally sealed from Dust and Moisture
- 6 Digit Non-Resettable with automatic recycle to zero
- Wide supply voltage range: 90 - 460V AC, 10 - 80V DC & 110 V DC
- Suitable for Control Panel applications



Ordering Information

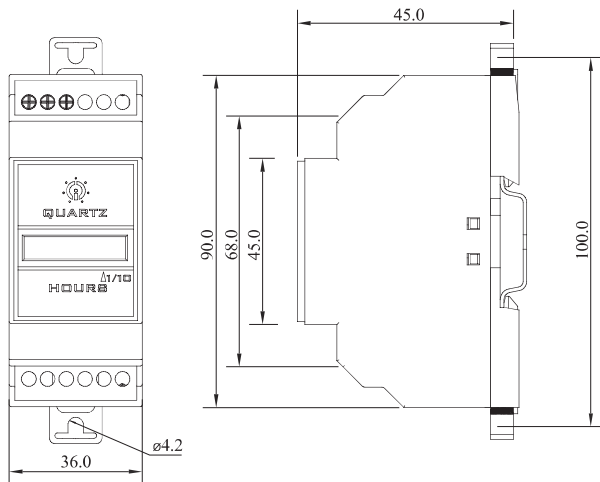
Cat. No.	Description
30A6B1	90 - 264 / 270 - 460 V AC, Hour Meter, Base/DIN
30A7B1	48 V AC, Hour Meter, Base/DIN
30D1B1	10 - 80 V DC, Hour Meter, Base/DIN
30D4B1	110 VDC, Hour Meter, Base/DIN

Hour Meter Series HM 36





Cat. No.	30A6B1	30D1B1	30D4B1
Parameters			
Supply Voltage (φ)	90 - 264 / 270 - 460 VAC	10 - 80 VDC	110 VDC
Frequency	50/60 Hz	N A	N A
Over Voltage	N A	96 VDC, 1 min	96 VDC, 1 min
Reverse Polarity Protection	N A	Yes	Yes
Power Consumption (Max.)	1 VA Max	0.25 VA	0.5 VA
Register	6 Digit (3.6mm)		
Read Out	99999.9		
Least Count	1/10 h		
Accuracy	± 0.02% over entire range		
Vibration	10-80Hz with 20g max (SAE J1378)		
Shock	55g @ 9-13ms (SAE J1378)		
Weight (unpacked)	70g		
Operating Temperature	-5° C to +55° C		
Storage Temperature	-20° C to +70° C		
Humidity (Non Condensing)	95% (Rh)		
Mounting	Base/DIN Rail		
Termination	¼" [6.3] Spade Terminal		
Degree of Protection	IP 20 for Terminals, IP 40 for Enclosure		
Approvals			

MOUNTING DIMENSIONS (mm)

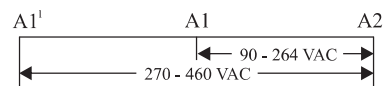


30A6B1, 30A7B1, 30D1B1, 30D4B1

TERMINAL TORQUE & CAPACITY

 Ø 3.5...4.0 mm	Torque - 0.54 N.m (5 Lb.in) Terminal screw - M2.6
	Solid Wire - 1 X 0.2...3.3 mm ²
AWG	1 X 24 to 12

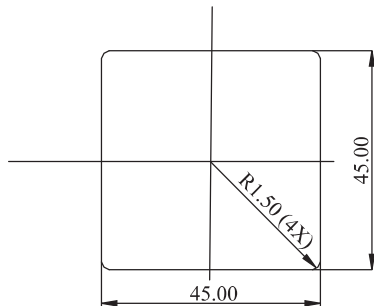
CONNECTION DIAGRAM



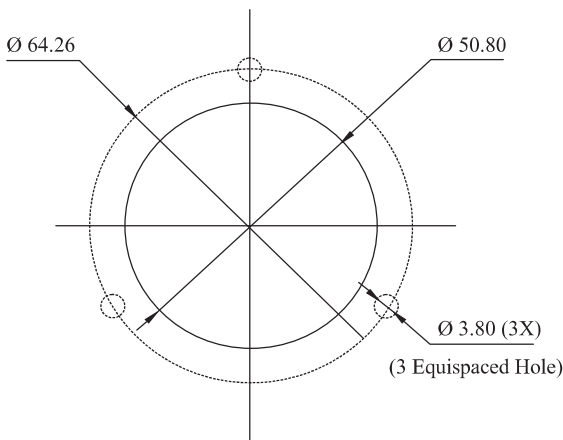
Hour Meter Series HM 36

MOUNTING DIMENSION (mm)

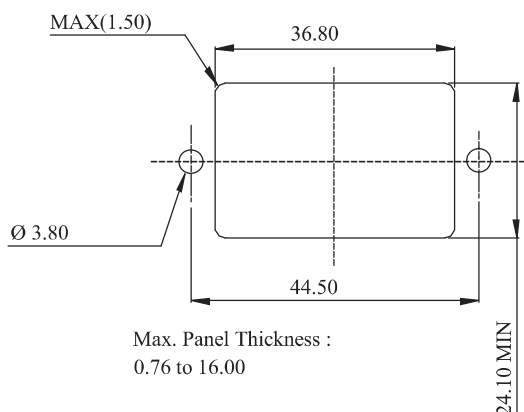
SQUARE MOUNT BEZEL (45 X 45 PANEL CUTOUT)



ROUND BEZEL, ROUND 3 HOLES BEZEL, CUP MOUNT BEZEL & STIRRUP MOUNT BEZEL

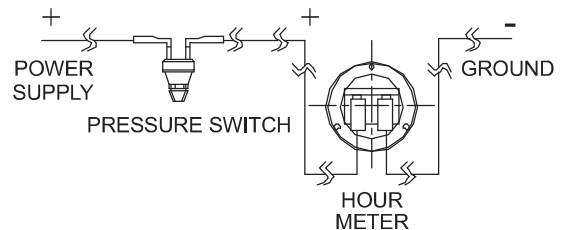
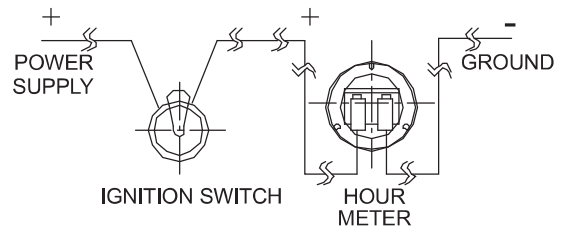


RECTANGULAR BEZEL

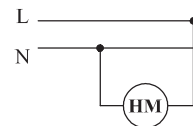


CONNECTION DIAGRAM

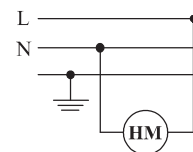
FOR: DC SERIES



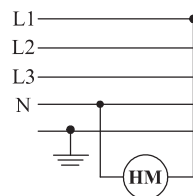
FOR: AC SERIES



Single phase, 2 wire, 120/240 V system:
Connect power wire to one terminal and neutral wire to opposite terminal.



Single phase, 3 wire, 120/240 V system:
Connect any one power wire to one terminal and neutral wire to opposite terminal.



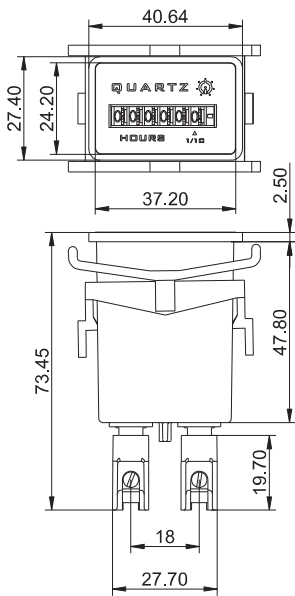
Three phase, 4 wire, 120/240 V system:
Connect any one power wire to one terminal and neutral wire to opposite terminal.

CAUTION

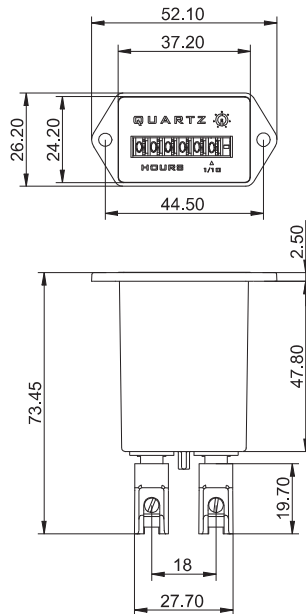
Tighten terminals with flat head screwdriver with tip size 4.3 x 0.6 mm.

Hour Meter Series HM 36

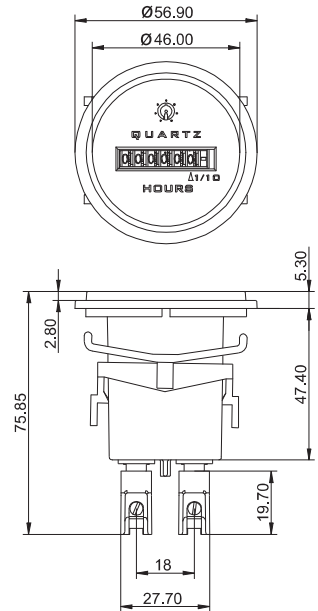
VIEWS OF DIFFERENT BEZELS



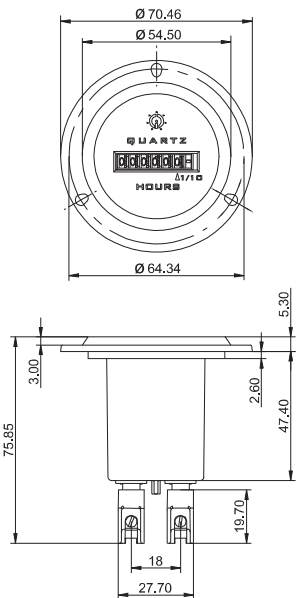
Rectangular Bezel



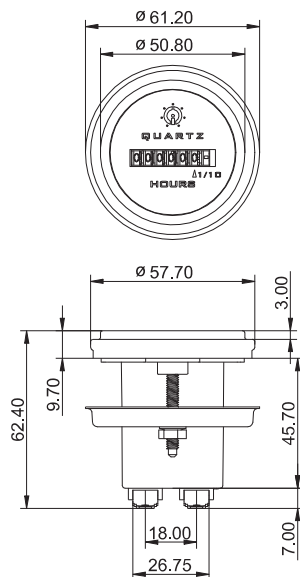
Rectangular 2 holes Bezel



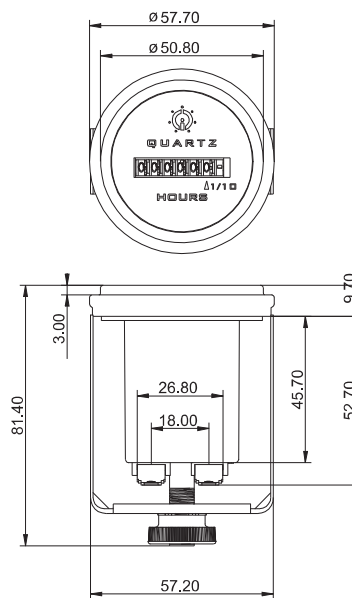
Round Bezel



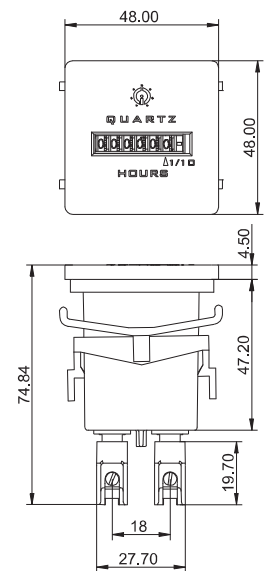
Round 3 holes Bezel



Cup Mount Bezel



Stirrup Mount Bezel



Square Bezel

Dimensions in mm