



The RCA remote control system allows:

- Remote electrical control (opening and closing) of circuit breakers with or without Vigi add-on RCD, with or without auxiliary.
- Circuit-breaker resetting after tripping, in accordance with safety principles and the regulations in force.
- Local control by operating handle.
- Circuit placing in safety configuration by padlocking.

2 choices of operation after tripping:

- A: Enabling of remote circuit-breaker resetting;
- B: Inhibition of remote resetting.

The version with Ti24 interface allows:

- Direct interfacing of remote control with a programmable logic controller (PLC), a supervision system and any other communication device, having inputs/outputs in 24 V DC (control, OF and SD indications).
- Fast, reliable connection of the remote control to the Acti 9 Smartlink thanks to the prefabricated cables.
- Remote indication by "OF" potential-free contact.
- Provision of 2 operating modes, "1 and 3".

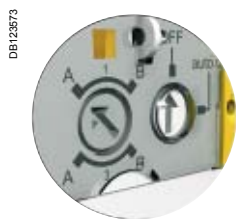
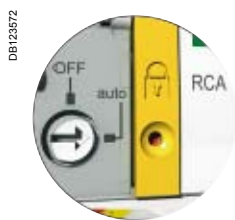
The iMDU auxiliary allows RCA control in 24/48 V AC/DC.

### Catalogue numbers

| RCA remote control                       |                    |   |                       |
|--|--------------------|---|-----------------------|
| Type                                     |                    |   | Width in 9 mm modules |
| <b>For circuit breakers 1P, 1P+N, 2P</b> | <b>Voltage</b>     |   |                       |
| Without Ti24 interface                   | 230 V AC, 50/60 Hz | <b>A9C70112</b>                         | 7                     |
| With Ti24 interface                      | 230 V AC, 50/60 Hz | <b>A9C70122</b>                         | 7                     |
| <b>For 3P, 4P circuit breakers</b>       |                    |   |                       |
| Without Ti24 interface                   | 230 V AC, 50/60 Hz | <b>A9C70114</b>                         | 7                     |
| With Ti24 interface                      | 230 V AC, 50/60 Hz | <b>A9C70124</b>                         | 7                     |
| <b>Auxiliaries</b>                       |                    | <b>See module CA907000 and CA907002</b> |                       |



Without Ti24 interface

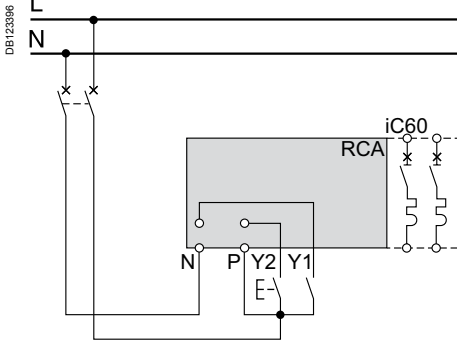


With Ti24 interface

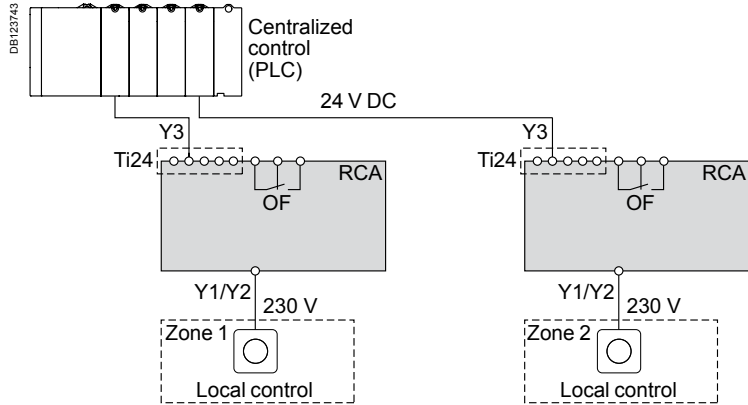
| Type                         |          | Application   |
|------------------------------|----------|---|
| <b>OFF</b>                   |          | All remote control inhibited                                    |
| <b>auto</b>                  | <b>A</b> | Circuit breaker remote reclosing after tripping allowed         |
|                              | <b>B</b> | Circuit breaker remote reclosing after tripping inhibited       |
| <b>Green indicator lamp</b>  |          | Remote control possible   |
| <b>Orange indicator lamp</b> |          | Remote control impossible                                       |
| <b>1 (Ti24)</b>              |          | Mode 1  |
| <b>3 (Ti24)</b>              |          | Mode 3  |
| <b>Y1</b>                    |          | Latched order local control                                     |
| <b>Y2</b>                    |          | Impulse-type or latched order local control (depending on mode) |
| <b>Y3</b>                    |          | Latched order centralized control                               |

### Standard RCA

■ The orders received on terminals Y1 and Y2 are taken into account progressively in their order of arrival.



### RCA Ti24

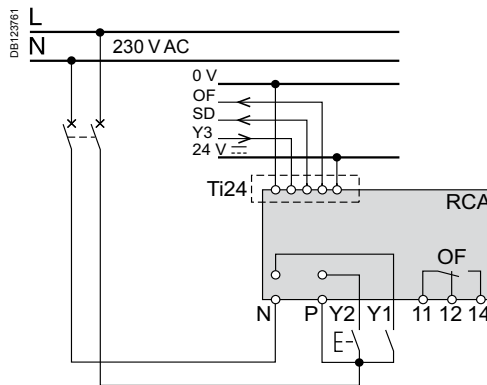


### Mode 1: Locally or centrally controlled circuit-breaker opening/closing

■ The orders come from various control points, and they are taken into account in their order of arrival

- Y1: Latched order local control
- Y2: Impulse-type local control
- Y3: Latched order centralized control

### RCA Ti24 mode 1

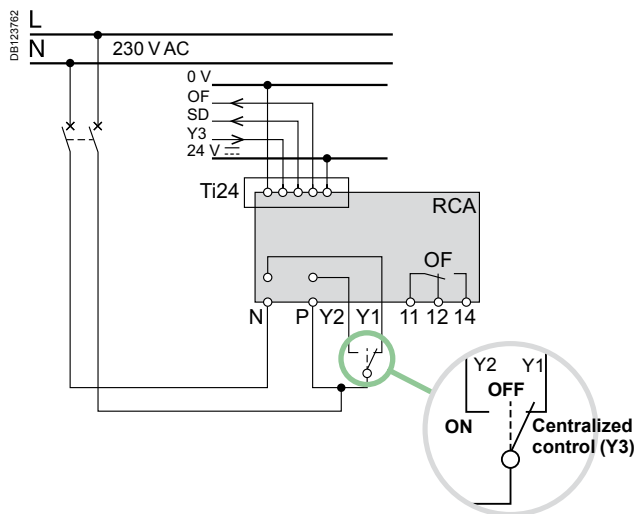


### Mode 3: Centrally controlled opening/closing + local override

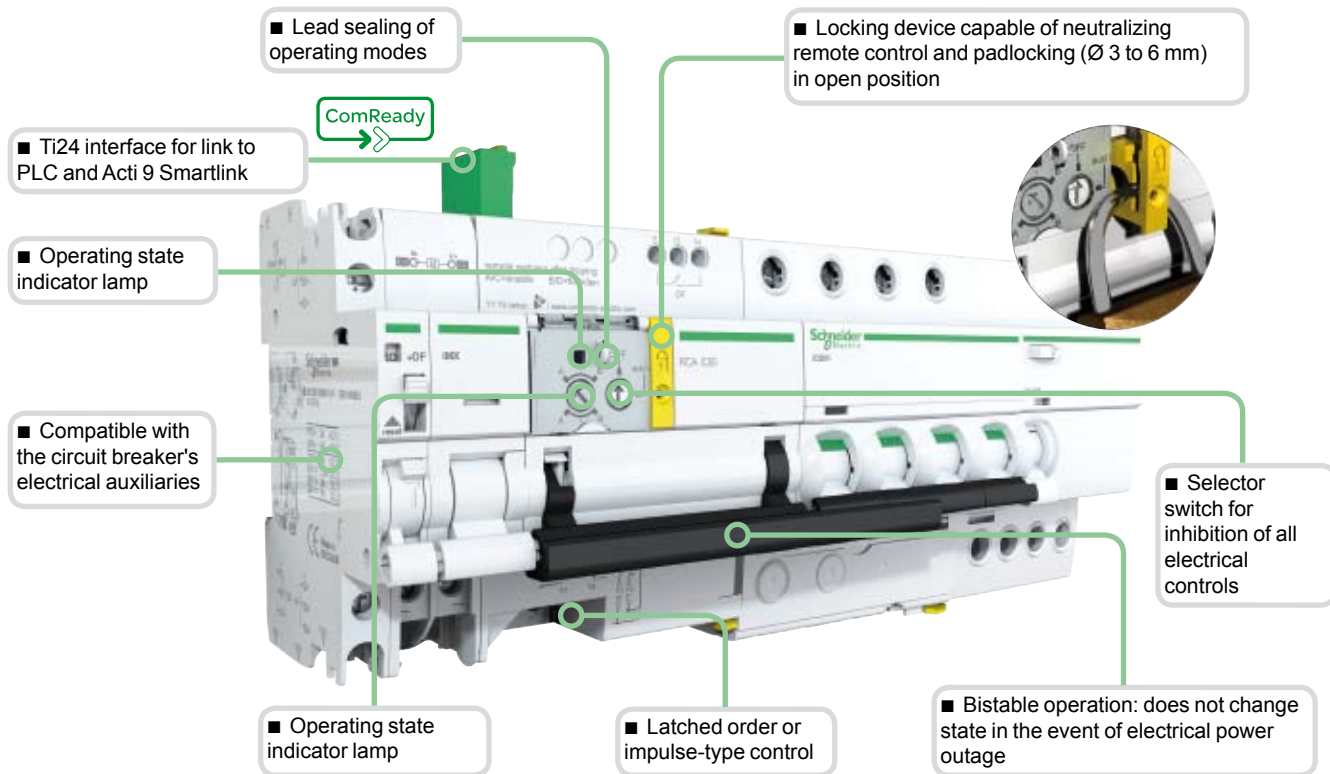
■ 3 positions allowing a choice between override and centralized control:

- Y1: Latched order local control
- Y2: Latched order local control
- Y3: Latched order centralized control

### RCA Ti24 mode 3



DB123576



DB123763



DB123578



DB123579

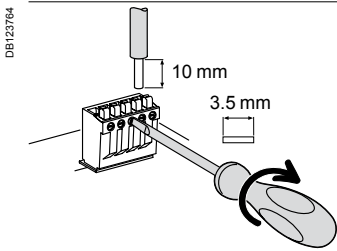
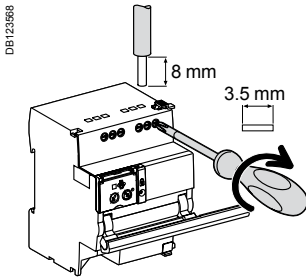
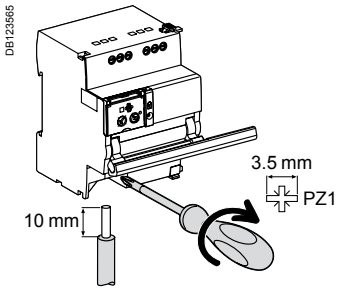


### Legend

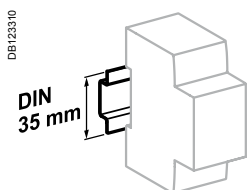
| Type   | Application   |
|--------|---|
| +24VDC | V DC power supply   |
| Y3     | Latched order centralized control                               |
| SD     | Circuit-breaker tripping information                            |
| OF     | Control circuit state information (open/closed)                 |
| 0 V    | V DC power supply   |
| Y1     | Latched order local control                                     |
| Y2     | Impulse-type or latched order local control (depending on mode) |
| N      | 230 V AC power supply   |
| P      |   |
| OF     | Circuit-breaker state indication contact (open/closed)          |



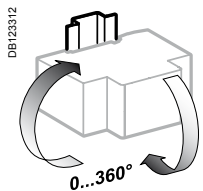
## Connection



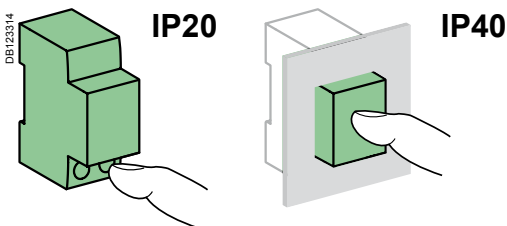
| Terminal                                     | Tightening torque       | Without accessories  |  |  |
|--|-------------------------|--|--|--|
|  |                         | Copper cables  |  |  |
|  |                         | Rigid  | Flexible   | Flexible with ferrule  |
| <b>Power supply (N/P)<br/>Inputs (Y1/Y2)</b> | 1 N.m                   | 0.5 to 10 mm <sup>2</sup><br>2 x 0.5 to 2 x 2.5 mm <sup>2</sup>  | 0.5 to 6 mm <sup>2</sup><br>2 x 0.5 to 2 x 2.5 mm <sup>2</sup>   | 0.5 to 4 mm <sup>2</sup><br>2 x 0.5 to 2 x 2.5 mm <sup>2</sup>   |
| <b>Outputs (OF)</b>                          | 0.7 N.m                 | 0.5 to 2.5 mm <sup>2</sup><br>2 x 0.5 to 2 x 1.5 mm <sup>2</sup> | 0.5 to 2.5 mm <sup>2</sup><br>2 x 0.5 to 2 x 1.5 mm <sup>2</sup> | 0.5 to 1.5 mm <sup>2</sup><br>2 x 0.5 to 2 x 1.5 mm <sup>2</sup> |
| <b>Ti24 interface</b>                        | Spring-loaded terminals | 0.5 to 1.5 mm <sup>2</sup>                                       | 0.5 to 1.5 mm <sup>2</sup>                                       | -  |



Clip on DIN rail 35 mm.



Indifferent position of installation.



## Technical data

| Control circuit   |                               |   |
|---|-------------------------------|---|
| Supply voltage (Ue) (N/P)   |                               | 230 V AC, 50/60 Hz                                  |
| Control voltage (Uc)  | Type 1 inputs (Y1/Y2)         | 230 V AC (as per IEC 61131-2)                       |
| Min. duration of control order (Y2)   |                               | ≥ 200 ms  |
| Response time (Y2)  |                               | < 500 ms  |
| Consumption   |                               | ≤ 1 W   |
| Thermal self-protection with automatic Reset against overheating of the control circuit due to an abnormal number of operations |                               |   |
| Endurance (O-C) (RCA combined with a circuit breaker)   |                               |   |
| Electrical/Mechanical   |                               | 10,000 cycles                                       |
| Indication / Remote control   |                               |   |
| Potential free changeover contact output (OF)   | Min.                          | 24 V AC/DC, 10 mA                                   |
|   | Max.                          | 230 V AC, 1 A                                       |
| Input (Y1/Y2)   | 230 V AC                      | 5 mA  |
| Ti24 interface (as per IEC 61131)   |                               |   |
| Type 1 input (Y3)   | 24 V DC                       | 5.5 mA  |
| Output (OF and SD)  | 24 V DC                       | In max.: 100 mA                                     |
| Additional characteristics  |                               |   |
| Degree of protection (IEC 60529)  | Device only                   | IP20  |
|   | Device in a modular enclosure | IP40<br>Insulation class II                         |
| Insulation voltage (Ui)   |                               | 400 V   |
| Degree of pollution (IEC 60947)   |                               | 3   |
| Rated impulse withstand voltage (Uimp)  |                               | 6 kV  |
| Operating temperature   |                               | -25°C to +60°C                                      |
| Storage temperature   |                               | -40°C to +70°C                                      |
| Tropicalization   |                               | Treatment 2<br>(relative humidity of 93 % at +40°C) |

## Weight (g)

| Remote controls                   |     |
|-----------------------------------|-----|
| Type                              | RCA |
| For 1P, 1P+N, 2P circuit breakers | 400 |
| For 3P, 3P+N, 4P circuit breakers | 430 |

## Dimensions (mm)

