

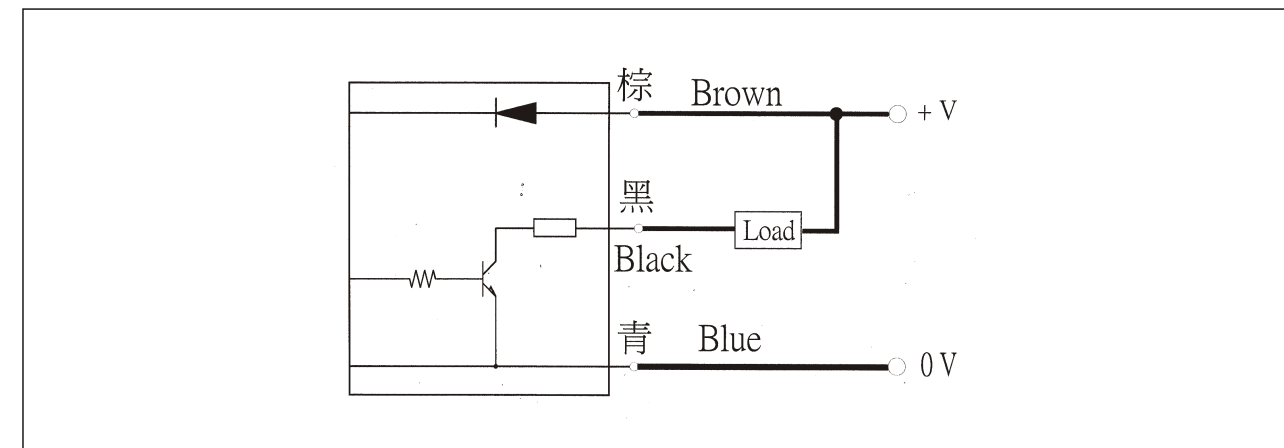
- ❖ Solid compact structure
 - 7φ x43mm
 - M8x43mm
- ❖ Protection class
 - IP-67
- ❖ High reliability
 - Output short circuit protection
 - High noise resistance



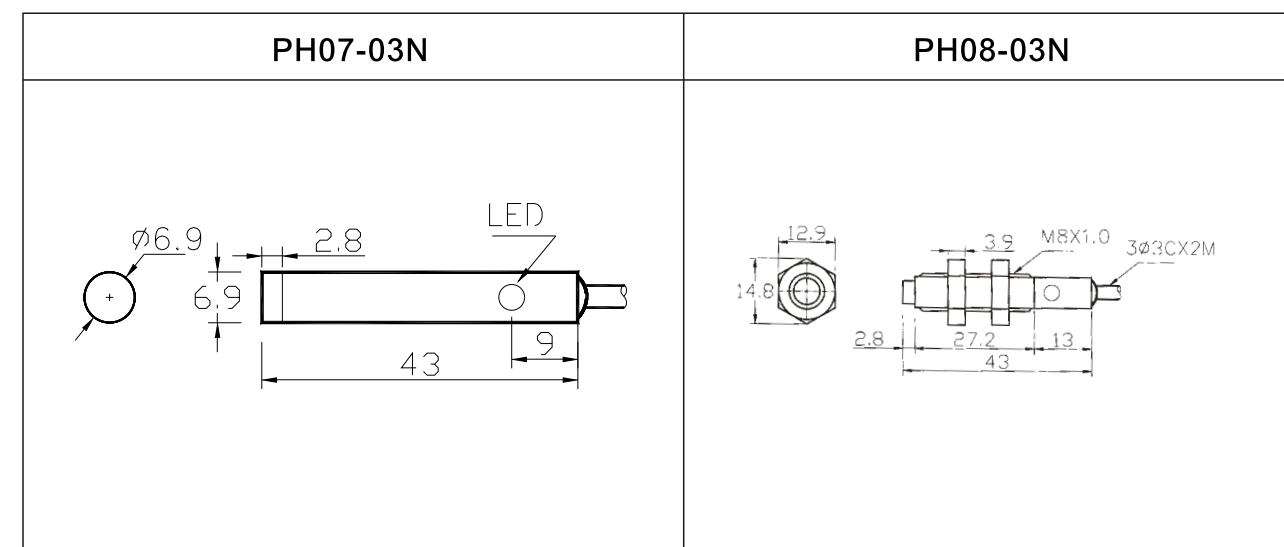
◆ Specification / 規格

Outline	外形	7φ	M8
Model	型號	PH07-03N	PH08-03N
Type	型式	Reflex type	
Sensing distance	檢測距離	30 mm min.	
Hysteresis	應差	20% of sensing distance max.	
Response time	應答時間	1 ms max.	
Emitter	發射光源	Infrared LED	
Operating voltage	工作電壓	10 ~ 30VDC	
Ripple of power	電源漣波	20% peak to peak	
Current consumption	耗電流	15mA max.	
Pilot LED	指示燈	Green : Power pilot ; Yellow : Operating pilot	
Output method	輸出方式	NPN open collector	
Output status	輸出狀態	NO	
Output current	輸出電流	150mA max.	
Residual voltage	殘留電壓	0.1V max.	
Leakage current	洩漏電流	0.8mA max.	
Protection circuit	保護電路	Short circuit & polarity reversed protection	
Lead wire	出線長度	3c / 3.0Φ x 3m	
Dielectric strength	耐壓強度	1kv / 1 minute min.	
Insulation strength	絕緣強度	100 MΩ / 500vdc	
Op. circumstance	工作環境	-20°C ~ +80°C ; 35% ~ 85% RH	
Protection class	保護等級	IP-67	

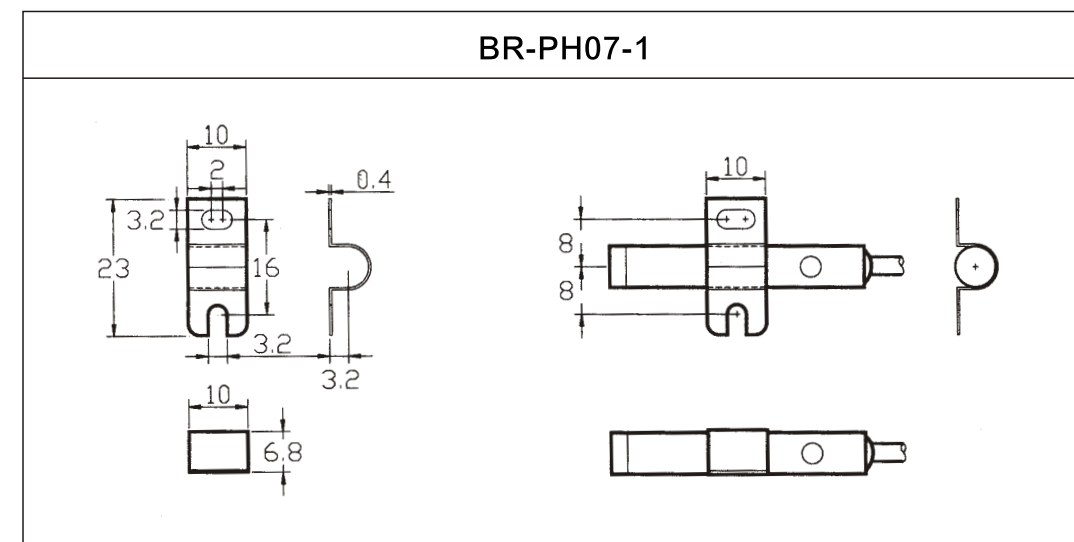
◆ Output circuit & connection diagram / 輸出回路與接線圖



◆ Dimension / 尺寸圖



◆ Fixed bracket / 固定角架



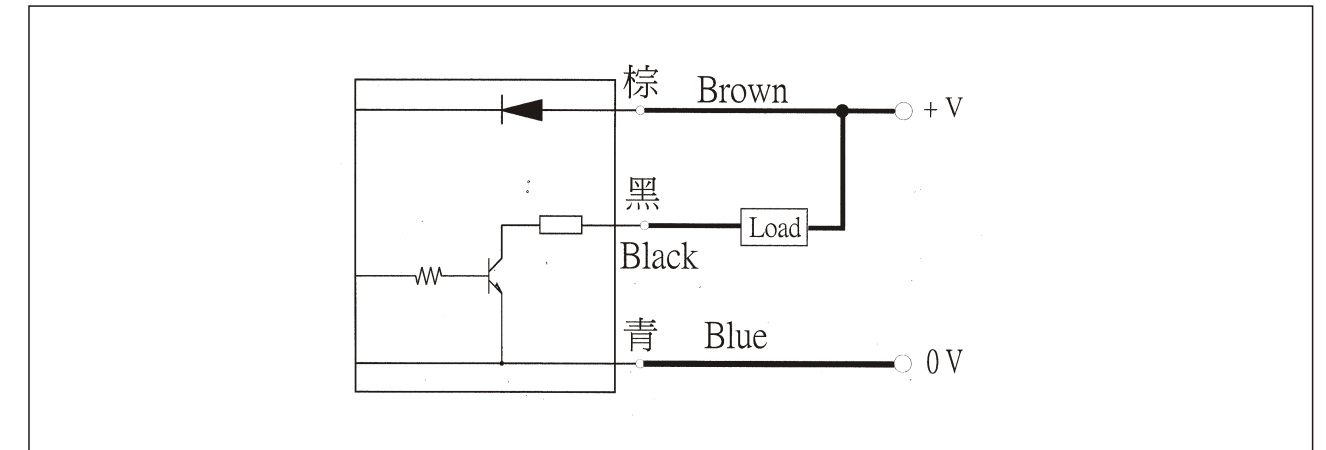
- ❖ Limited distance reflex type
- ❖ Mini-plate outline
- ❖ Mirror interruption immunized
- EX-03N less than 100 mm
- EX-07N less than 200 mm



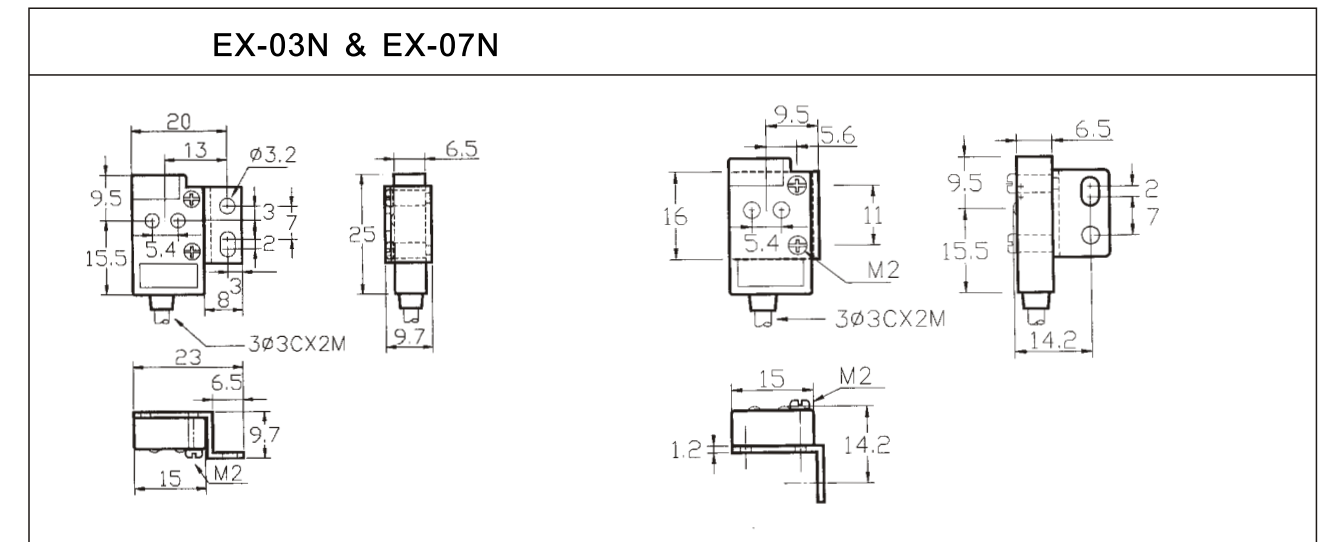
◆ Specification / 規格

Type	型式	Limited distance reflex	
Model	型號	EX-03N	EX-07N
Emitter	發射光源	Red LED	Infrared LED
Sensing distance	檢測距離	25.0 mm	70.0 mm
Hysteresis	應差	20% of sensing distance max.	
Response time	應答時間	1 ms max.	
Operating voltage	工作電壓	10 ~ 30VDC	
Ripple of power	電源漣波	20% peak to peak	
Current consumption	耗電流	15mA max.	
Pilot LED	指示燈	Green : Power pilot ; Yellow : Operating pilot	
Output method	輸出方式	NPN open collector	
Output status	輸出狀態	NO	
Output current	輸出電流	150mA max.	
Residual voltage	殘留電壓	0.1V max.	
Leakage current	洩漏電流	0.8mA max.	
Illumination	耐外亂光	Sunlight < 20,000 Lux ; Lamplight < 5,000 Lux	
Protection circuit	保護電路	Short circuit & polarity reversed protection	
Lead wire	出線長度	3c / 3.0Φ x 3m	
Dielectric strength	耐壓強度	1kv / 1 minute min.	
Insulation strength	絕緣強度	100 MΩ / 500vdc	
Op. circumstance	工作環境	-20°C ~ +80°C ; 35% ~ 85% RH	
Protection class	保護等級	IP-65	

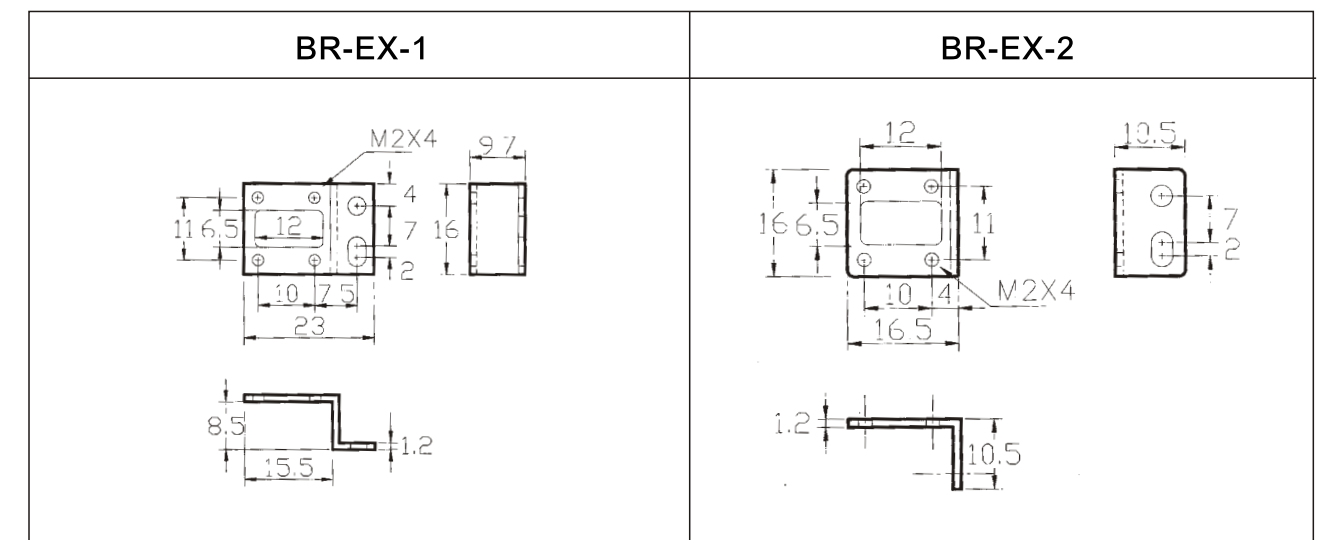
◆ Output circuit & connection diagram / 輸出回路與接線圖



◆ Dimension / 尺寸圖



◆ Fixed bracket / 固定角架





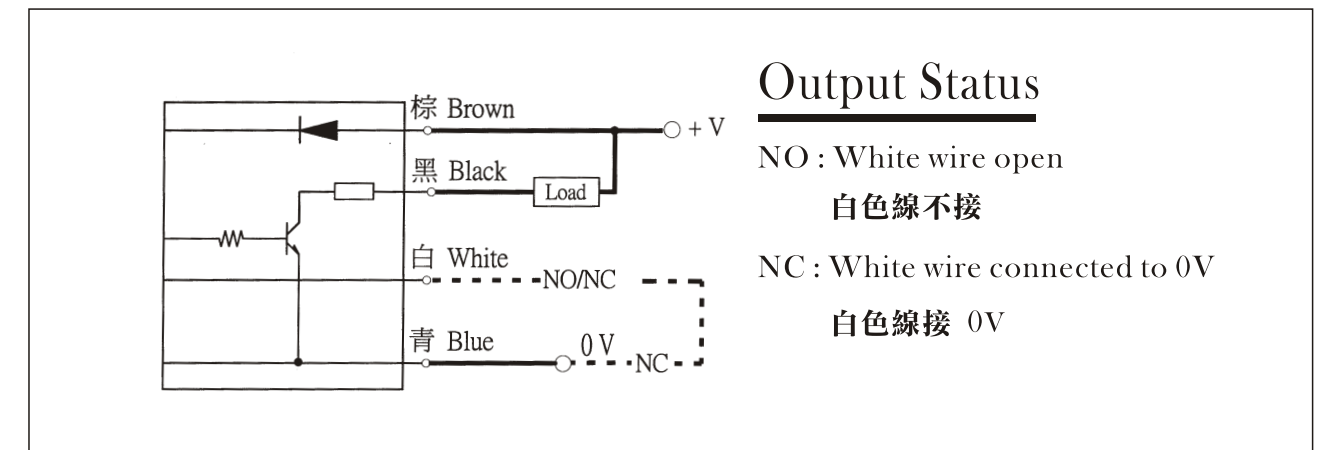
- ❖ Solid compact structure
12x30x17 (WxHxD mm)
- ❖ Protection class : IP-66
- ❖ NO/NC changeable
- ❖ Polarized mirror reflex type
E2G-1MRE
- ❖ Transparent object detectable
E2G-1MG



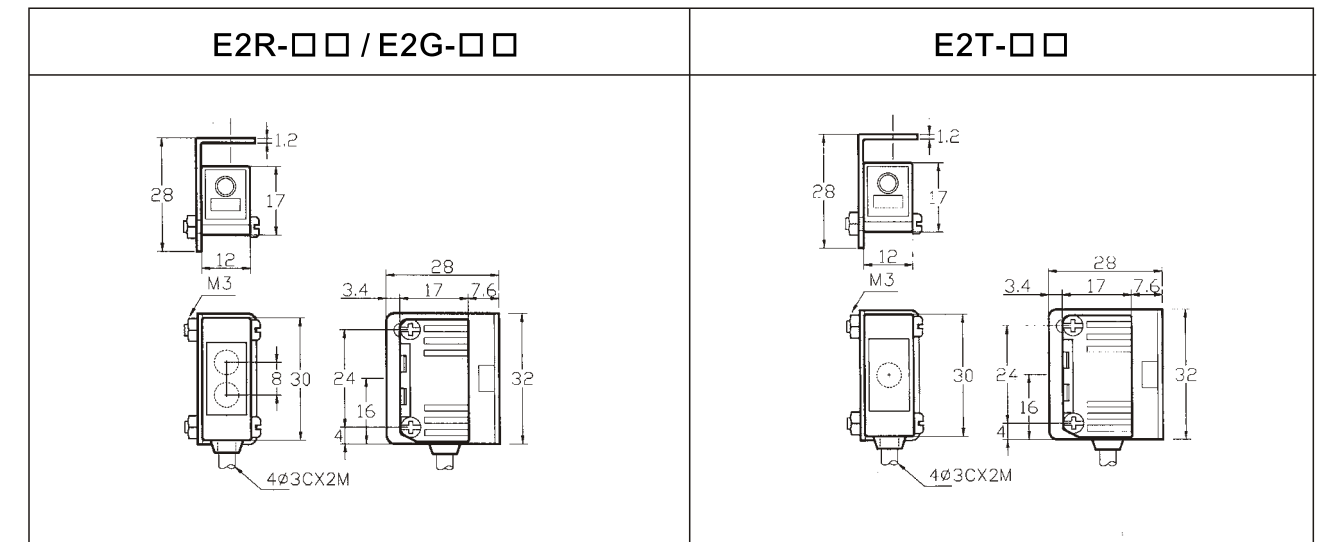
◆ **Specification / 規格**

Type	型式	Diffuse reflex		Mirror reflex			Thru beam
Model	型號	E2R-10N	E2R-30N	E2G-2MR	E2G-1MR	E2G-1MG	E2T-4MX
Sensing distance 檢測距離		10 cm	30 cm	2.0 m	1.2 m	1.2 m	4.0 m
Emitter 發射光源		Infrared LED		Red LED	Blue LED	Infrared LED	
Hysteresis 應差		20% of sensing distance max.					
Response time 應答時間		1 ms max.					
Operating voltage 工作電壓		10 ~ 30VDC					
Ripple of power 電源漣波		20% peak to peak					
Current consumption 耗電流		25mA max.					
Pilot LED 指示燈		Green : Power pilot ; Yellow : Operating pilot					
Output method 輸出方式		NPN open collector					
Output status 輸出狀態		NO or NC selectable					
Output current 輸出電流		150mA max.					
Residual voltage 殘留電壓		0.1V max.					
Leakage current 洩漏電流		0.8mA max.					
Protection circuit 保護電路		Short circuit & polarity reversed protection					
Lead wire 出線長度		4c / 4.0Φ x 2m					
Dielectric strength 耐壓強度		1kv / 1 minute min.					
Insulation strength 絕緣強度		100 MΩ / 500vdc					
Op. circumstance 工作環境		-20°C ~ +80°C ; 35% ~ 85% RH					
Protection class 保護等級		IP-66					

◆ **Output circuit & connection diagram / 輸出回路與接線圖**



◆ **Dimension / 尺寸圖**



◆ **Fixed bracket / 固定角架**

