




PRESET DIGITAL COUNTER

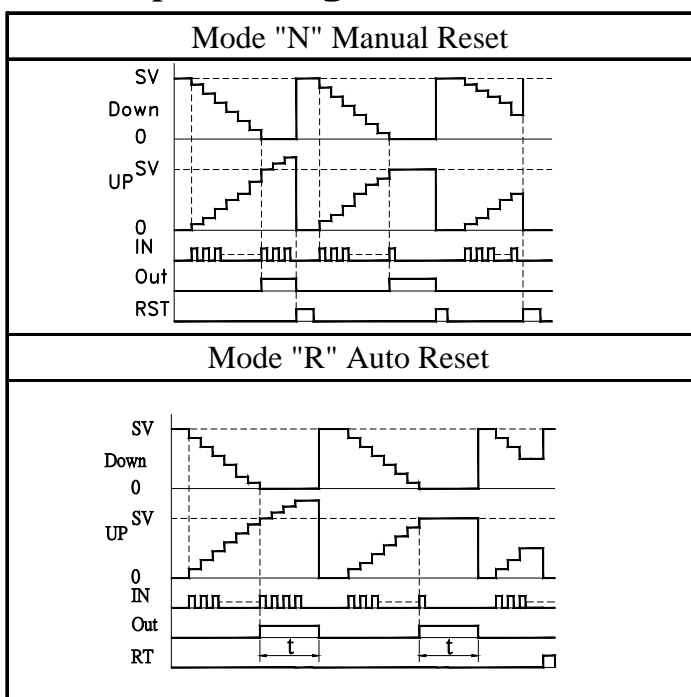
SC
series

Digits	2 Digits	3 Digits	4 Digits
Model	SC-2D	SC-3D	SC-4D
Figure			
Range	0~99	0~999	0~9999
Display	0.56" 7-Segment LED	0.56" 7-Segment LED	0.4" 7-Segment LED
Weight	155g	160g	165g

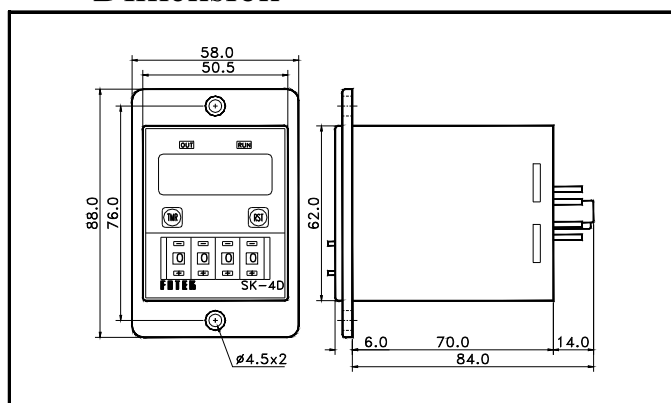
Specification

Power Supply	90~250 VAC 50/60 Hz
Wattage	5VA max.
DC Output	60 mV / 12 VDC
Memory Method	EEPROM or Non-Memory
Counting Method	UP or Down Counting
Response Freq.	Hi > 1 KHz, Lo < 30 Hz
Count Input	Hi > 6V, Lo < 2V
Reset Input	Hi > 6V, Lo < 2V
Output Method	Relay, 1a / 10A
Output Control	N or R Selectable
Decimal Point	0, 1 or 2 Selectable
Delay Timer	0.1~9.9 Sec
Insulation Strength	100 M Ω / 500 VDC
Dielectric Strength	2.5K / 1 min.
Circumstance	-20° ~ +60°C, 35 ~ 85% RH

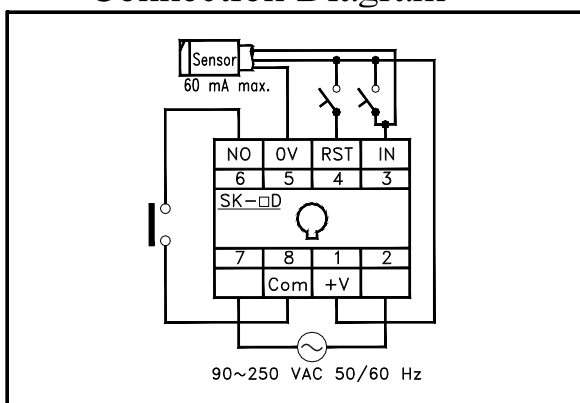
Output Timing Chart



Dimension



Connection Diagram



PS.N Type Available Also