



# ANLY CONTROLLER

## APR-4V 3-PHASE SEQUENCE VOLTAGE PROTECTION RELAY



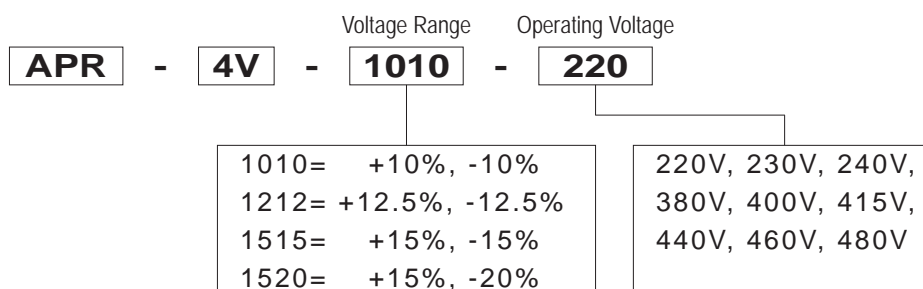
### CHARACTERISTIC :

- 3-phase voltage and fault detector
- Can detect abnormal condition to prevent damages to the equipments
- Auto shut-off while detecting excessive or insufficient voltage, range from 5% to 20% available (see TYPE SELECTION for detail)
- Out-of-phase detection while the motor operating
- Install on DIN rail or fix with screw are available and no socket require

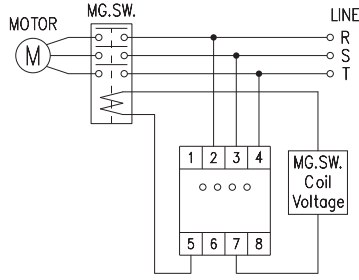
### SPECIFICATION :

Operating voltage	AC(V): 220, 230, 240, 380, 400, 415, 440, 460, 480
Allowable operating voltage range	Depend on TYPE SELECTION
Rated frequency	50 / 60 Hz
Contact rating	250VAC 5A resistive load
Reset time	MAX 3sec
Power consumption	Approx. 2VA(AC 220V 60Hz)
Life	Mechanical: 5,000,000 times Electrical: 100,000 times
Ambient temperature	-10 ~ +50°C
Ambient humidity	MAX 85% RH
Weight	Approx. 106g

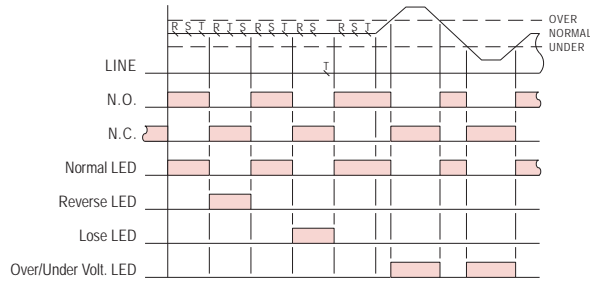
### TYPE SELECTION :



# CONNECTION :

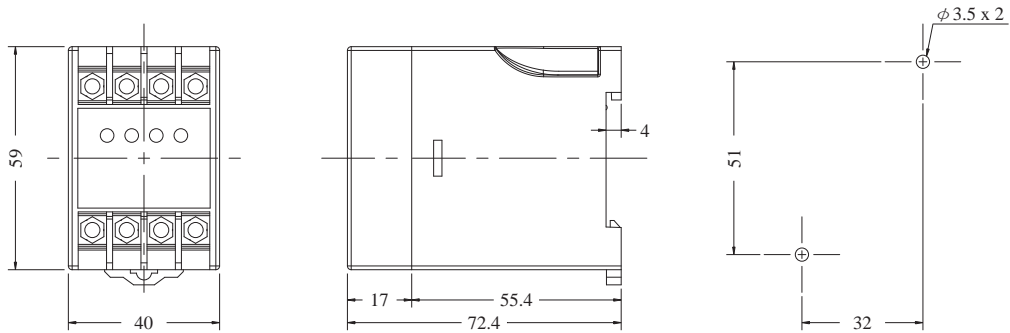


# TIMING CHART :



# DIMENSIONS : (mm)

N type(Surface Mounting):



**ANLY ELECTRONICS CO., LTD.**  
<http://www.anly.com.tw>

**TAIWAN MAIN OFFICE : ANLY ELECTRONICS CO., LTD.**

No.19, Lane 202, Fushou St., Xinzhuang Dist., New Taipei City 242, Taiwan  
TEL: +886-2-2996-3202 FAX: +886-2-2996-2017

**MALAYSIA BRANCH : JUSTY ELECTRONICS (M) SDN, BHD.**

No.1, Jalan 6/89B, Kawasan Perindustrian Trisegi, Batu 3 1/2 Off Jalan Sungei Besi, 57100 Kuala Lumpur, Malaysia  
TEL: +60-3-7983-5758 FAX: +60-3-7981-5052

**HONG KONG BRANCH : ANLY ELECTRONICS (HK) LTD.**

Flat K, 13/F, Edward Mansion, 141 Prince Edward Road W., Kowloon, Hong Kong  
TEL: +852-2397-2505 FAX: +852-2397-6080

**SHANGHAI BRANCH : ANLY TECHNOLOGY (WUXI) CO., LTD.**

Room 13G, No.831, Xinzha Rd., Jingan District, Shanghai, China 200041  
TEL: +86-21-6218-3300 FAX: +86-21-6217-5911