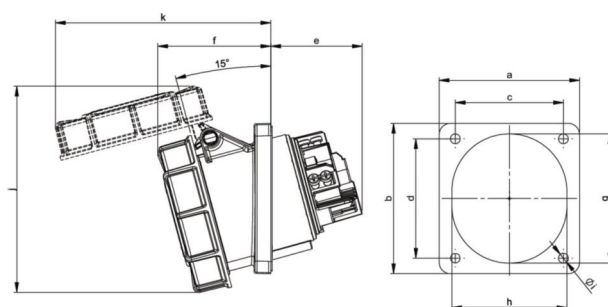


PCE data sheet

article#	434-6fc
article description	CEE-flanged socket sloping (100x107) 63A 4p 6h IP67 POWER TWIST
description long	CEE-flanged socket sloping (100x107) 63A 4p 6h IP67 POWER TWIST housing material: PA6 rated current: 63A number of poles: 4 (3P+PE) clock-position: 6h rated voltage/frequency: 380-415V~ / 50+60Hz contacts: brass, with lamellar spring (CuBe) connection technology: frame terminals with screws dimensions (flange/fixing center): 100x107 mm / 77x85 mm IP protection class: IP66/IP67
GTIN (EAN)	9003399199776
country of origin	AT
customs number	85366990
net weight	0.536 kg
packaging quantity	2

ETIM 7.0	EC001317
IEC-amperage	63 A
Voltage acc. EN 60309-2	400 V (50+60 Hz) red
Number of poles	4
Clock hour position	6 h
Identification colour	Red
Degree of protection (IP)	IP67
Connection system	Screwed terminal
Angle of plug	Angled
Material	Plastic
Contact material	CuZn
Surface finish contacts	Untreated
Flange size vertical	107 mm
Drill hole distance vertical	85 mm
Flange size horizontal	100 mm
Drill hole distance horizontal	77 mm

wire flexible	6-16 mm ²
wire solid	6-25 mm ²
contact screws	200 Ncm
dismantling length	100 mm
stripping length	15-18 mm



www.manufacturer-safety.info