

Asia Pacific

China

Zhejiang CHINT Electrics Co., Ltd.

Add (Shanghai): A3 Building, No. 3655 Sixian Road, Songjiang Shanghai 201614
Tel: +86-21-5677 7777
Fax: +86-21-5677 7777
E-mail: global-sales@chintglobal.com

Singapore

CHINT GLOBAL PTE. LTD.

Add: 8 Kallang Avenue #04-06/09 Aperia Office Tower 1 Singapore 339509
Tel: +65 6329 3110
Fax: +65 6329 3159

SUNLIGHT ELECTRICAL Singapore

Address: 1 Third Chin Bee Road Singapore 618679
Tel: +65 6741 9055
Fax: +65 6265 4586
Email: sales@sunlightgroup.com

India

CHINT India Energy Solution Private limited

Discovery Tower Plot No. A-17 Ground Floor Industrial Area Sector 62 Noida -201309
India Hotline: - 18002707977
Company: - +91 1202975057
E-mail: marketing@chint.co.in

Philippines

CHINT ELECTRIC CO., LID. PHILIPPINE BRANCH

Add: Unit 201, Taipan Place, F. Ortigas Jr. Road, Ortigas Center, Pasig City, Metro Manila, Philippines

Indonesia

PT. CHINT INDONESIA

Add: Prima Center 1 Complex, Block C 9-10 Pool PPD Road. Pesing Poglar No. 11. Jakarta Barat - 11710
Tel: +62-21-5436-3000

Vietnam

CHINT Vietnam Holding Co., Ltd

Add: So 2Bis-4-6, Le Thanh Ton, P. Ben Nghe Quan 1, Ho Chi Minh
Tel: +84 028 38270015
E-mail: Marketing.vn@chintglobal.com

SUNLIGHT ELECTRICAL VIETNAM

Add: 20 Doc Lap Ave, VSIP, Thuan An City, Binh Duong Province, Vietnam
Tel: +84-0274-3743505
Email: sales.sev@sunlightgroup-vn.com.vn

Cambodia

SCHNEITEC CHINT CO., LTD.

Add: Ansor Kdam Village, Sna Ansa Commune, Krokor District, Pursat Province, Kingdom of Cambodia
Tel: +855 095353268

Europe

Italy

CHINT Italia Investment Srl

Add: Via Bruno Maderna 7 30174 Venezia
Tel: +39 041.446614
Fax +39 041.5845900
E-mail: info@chint.it

Czech Republic

NOARK Electric Europe s.r.o.

Add: Sezemická 2757/2, 193 00 Prague 9
Tel: +420 226 203 120
Email: europe@noark-electric.com

Turkey

CHINT Turca Elektrik Sanayi VE Ticaret Anonim Sirketi

Add: Zumrutevler Mahallesi Ural Sokak No. 22/18 NAS PLAZA B Block KAT 1, Maltepe, Istanbul
Tel: +90216 621 00 55
Fax: +90216 621 00 50
E-mail: fatura@chint.com.tr

North America

United States

NOARK Electric (USA) Inc

Add: 2188 Pomona Blvd., Pomona, CA 91768
Tel: 626-330-7007
Fax: 626-330-8035
E-mail: nasales@noark-electric.com

Mexico

CHINT SOLAR MEXICO S DE RL DE CV

Add: Miguel Cervantes Saavedra 169 Piso 11 Col. Granada Del. Miguel Hidalgo
C.P. 11520 CDMX, México
Tel: +52 1-55-8881-6127
E-mail: marie.casillas@chint-mexico.com

West Asia & Africa

Egypt

CHINT Electrics (Egypt) Co., Ltd

Add: Building B16 - Smart village, Abu Rawash - Giza, Egypt
Tel: +20 1097173769
P.O BOX : 00202
Email: chinteg@chintglobal.com

Kenya

ZHENGTAI ELECTRICS(KENYA) CO., LIMITED

Add: OFFICE 1A , 8TH FLOOR, KISM TOWERS, LR No. 209/945/1- NGONG ROAD - NAIROBI , KENYA
Tel: +254113958911
Email: zhangyuans@chint.com

Spain

CHINT Electrics S.L.

Add: Calle José Echegaray, Num 8.Parque Empresarial Las RozasEdificio 3, Planta Baja, Oficina 7-8.C.P: 28232 Las Rozas (Madrid)
Tel: +34 91 645 03 53
E-mail: info@chint.eu

Russia

ООО “Чинт Электрик”

Юридический адрес: 109544, г. Москва, б-р Энтузиастов, д. 2, этаж 10, ком.26
Фактический адрес: РФ, 109544, г. Москва, б-р Энтузиастов, д. 2
Тел: +7 (495) 540-61-41
Тел: +7 (800) 222-61-41
E-mail: info@chint.ru

Latin America

Brazil

CHINT Elétricos América do Sul Ltda

Add: Av. Paulista, 1765 - Edifício Scarpa-Conj.22
Bela Vista –CEP 01311-200-São Paulo- SP
Tel: 0055-11-3266-7654
E-mail: chintlatingamerica@chint.com

Peru

CHINT LATAM (PERU) S.A.C.

Add.: Av. Camino Real No.348, Torre El Pilar, Oficina 603, San Isidro, Lima 27, Peru
Tel.: +51 1 763 4917
Email: chintlatingaperu@chint.com

U.A.E

CHINT MIDDLE EAST AND AFRICA DMCC

Add: Unit No: 2101, 21085,2109 , Jumeirah business center 1, Cluster G, Jumeirah Lakes Towers, Dubai, UAE
Tel: +97145571532 P.O BOX: 337555
E-mail: global-sales@chint.com



CHINT GLOBAL PTE. LTD.

Building A3, 3655 SiXian Road,
Songjiang District, Shanghai, China

Tel: +86-21-5677 7777 Web: www.chintglobal.com

E-mail: global-sales@chintglobal.com

A CHINT COMPANY



CHNT

Empower the World



Series Automatic Transfer Switching Equipment

Series Automatic Transfer Switching Equipment

NXZ Series Automatic Transfer Switching Equipment

General	P-001
Model definition and description	P-002
Functions and characteristics	P-003
Mode of connection of the main part and controller	P-008
Overall and installation dimension	P-012

NXZ(H)B/NXZ(H)M Series Automatic Transfer Switching Equipment

General	P-014
Model definition and description	P-016
Functions and characteristics	P-017
Mode of connection of the main part and controller	P-023
Overall and installation dimension	P-029



NXZ Series Automatic Transfer Switching Equipment

1. General

1.1 Scope of Application

1.1.1 NXZ series Automatic Transfer Switching Equipment is applicable to the three-phase four-wire duplicate supply power grid of AC 50Hz, rated voltage 400V/415V and below, and rated current up to 630A . It can automatically connect one or several load circuits from one power source to the other to ensure the normal power supply for the load circuit.

1.1.2 This product is applicable to industrial and commercial power use places, high-rise buildings, and residential houses.

1.2 Applicable standards

1.2.1 Product standard

IEC 60947-1.

IEC 60947-6-1.

1.2.2 Standards for use in extreme environment

IEC 60068-2-1. (Low Temperature)

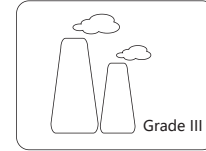
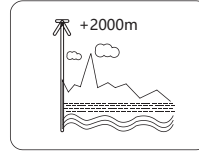
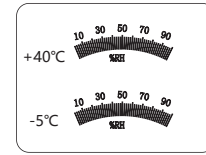
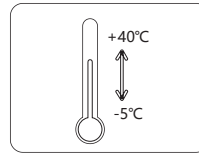
IEC 60068-2-2. (High Temperature)

IEC 60068-2-30. (Cyclic Damp Heat)

IEC 60068-2-11. (Salt mist)

1.2.3 Certification : CB、CE、KEMA

1.3 Normal working conditions



1.3.1 Ambient temperature

5° C~+40° C; Users can custom-tailor relevant product to be used in the environment of -25° C~+70° C, and use the product according to the temperature compensation table.

1.3.2 Sea level elevation

Equal to 2000m or below; if it needs to work above 2000m altitude, it shall be used according to the table of capacity reduction of different altitudes.

1.3.3 Atmospheric conditions

The relative humidity shall not exceed 50% when the surrounding air temperature is +40° C; the relative humidity can be higher when the temperature is lower; the average monthly maximum relative humidity in the wettest month is 90%, and the average monthly minimum temperature shall be +20 ° C. Special measures may be necessary in cases of occasional condensation due to variations in temperature.

1.3.4 Pollution degree: class 3

1.3.5 Installation category

Installation category of the switching equipment of main circuit is category IV.

Installation category of auxiliary circuit is category III.

Installation category of conversion controller is category II.

1.3.6 Utilization category: AC-33B

Electromagnetic compatibility (EMC)

Electrostatic discharge (IEC 61000-4-2) Level 2

Radio-frequency electromagnetic field-radiated electromagnetic field immunity (IEC 61000-4-3) Level 3,

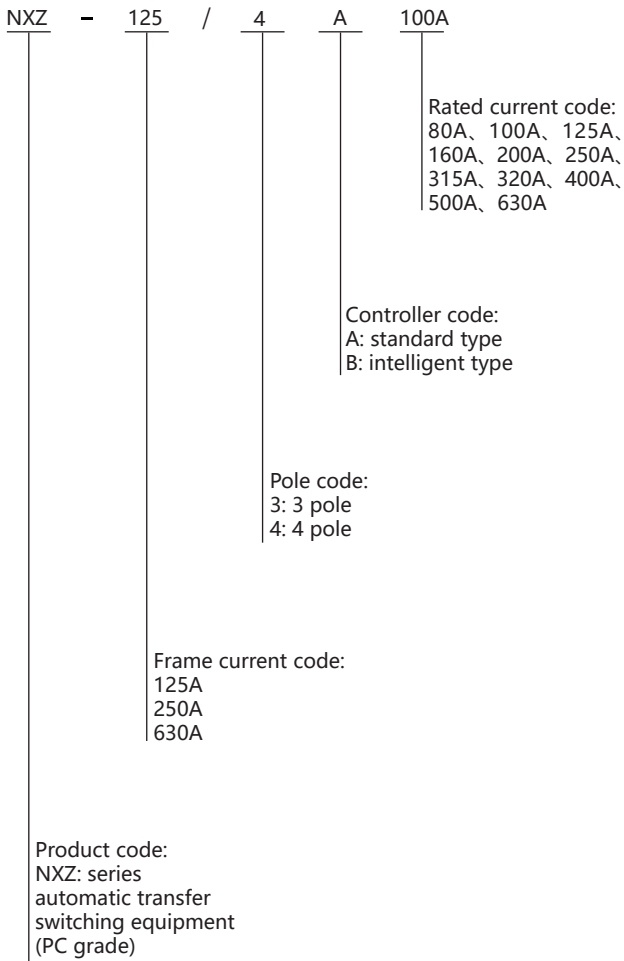
Fast transient bursts (IEC 61000-4-4) Level 3,

Surges (IEC 61000-4-5) Level 3,

Radio-frequency electromagnetic field-conducted immunity (IEC 61000-4-6) Level 3,

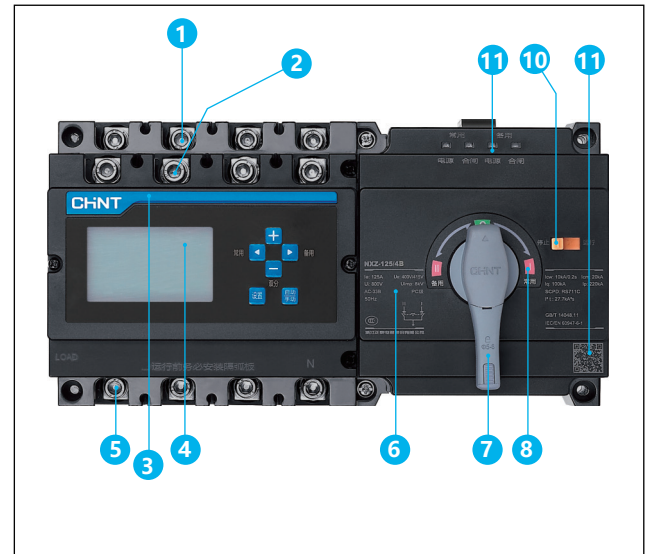
Radiation grade (CISPR11) grade B,

2. Model definition and description



Type selection example:
NXZ-125/4A 125A: To order an Automatic Transfer Switching Equipment of which the frame current is 125A, number of poles is 4P, rated current is 125A, with a standard controller
Note: when the controller is installed in split type, the split wire needs to be ordered separately.

Structural Features of the Automatic Transfer Switching Equipment



- 1 Terminal on the normal supply side
- 2 Terminal on the alternative supply side
- 3 Trade mark
- 4 Display and operation module of the controller
- 5 Terminal on the load side
- 6 Nameplate
- 7 Handle
- 8 Switching-off/switching-on indicator
- 9 QR Code
- 10 Manual/electric dial switch
- 11 Controller processing module



Comparison Table of Frame Current and Rated Current

Rated current (A)		80	100	125	160	200	250	315	320	400	500	630
125	Frame current (A)	■	■	■								
630					■	■	■					
								■	■	■	■	■

3. Functions and characteristics

Technical parameters of NXZ (Class PC)

Model	NXZ-125	NXZ-250	NXZ-630
Electrical characteristics			
Frame current (A)	125	250	630
Rated current (A)	80,100,125	160,200,250	315,320,400,500,630
Rated operational voltage Ue (V)	400/415 50Hz		
Rated insulation voltage Ui (V)	AC800		
Rated impulse withstand voltage Uimp (kV)	8		
Utilization category	AC-33B		
Number of poles	3P/4P		
Rated conditional short-circuit current Iq (kA)	100		
Rated short-circuit making capacity Icm (kA)	20	30	50
Rated short time withstand current Icw/0.2s (kA)	10	10	25
Contact transfer time (S)	0.6× (1±50%)	1× (1±10%)	1.5× (1±10%)
Operating transfer time (S)	1.2× (1±10%)	2.1× (1±10%)	3.3× (1±10%)
Mechanical endurance (times)	8500	7000	3000
Electrical endurance (times)	1500	1000	1000
Overall dimension			
Width x height x depth (mm)	245×130×126	295×175×175	430×272×230
Controller characteristics			
Controller model	A type (standard), B type (intelligent)		
Installation mode	Integrated, split		
Rated control power supply voltage Us (V)	230/240 50/60Hz		
Control voltage range	85%~110%Ue		

Parameters of controller

Function	Model	A type (standard)	B type (intelligent)
Manual/automatic transfer		■	■
Main contact positions			
Normal position		■	■
Alternative position		■	■
Off-position		■	■
Automatic control			
Normal supply of monitoring		■ Phase failure/loss of voltage, undervoltage, overvoltage fault	■ Phase failure/loss of voltage, undervoltage, overvoltage fault
Alternative supply of monitoring		■ Phase failure/loss of voltage, undervoltage, overvoltage fault	■ Phase failure/loss of voltage, undervoltage, overvoltage fault
Automatically transfer and restore operation		■	■
Automatically transfer and nonautomatically restore operation		■	■
Grid-grid		■	■
Grid-generator		■	■
Phase failure/loss of voltage transfer		■	■
Under voltage transfer		■	■
Over voltage transfer		■	■
Delay adjustable		■	■
Transfer delay		0s~300s adjustable	0s~300s adjustable
Return delay		0s~300s adjustable	0s~300s adjustable
Generator control		■	■
Fire control linkage		■	■
Indication			
Switching-on/switching-off/Off-position indication		■	■
Normal/alternative supply indication		■	■
Parameter setting indication		■	■
Others			
Communication function		-	■
Display module		■ LED	■ LED

4. Functions and characteristics

Operation interface of the display module of controller

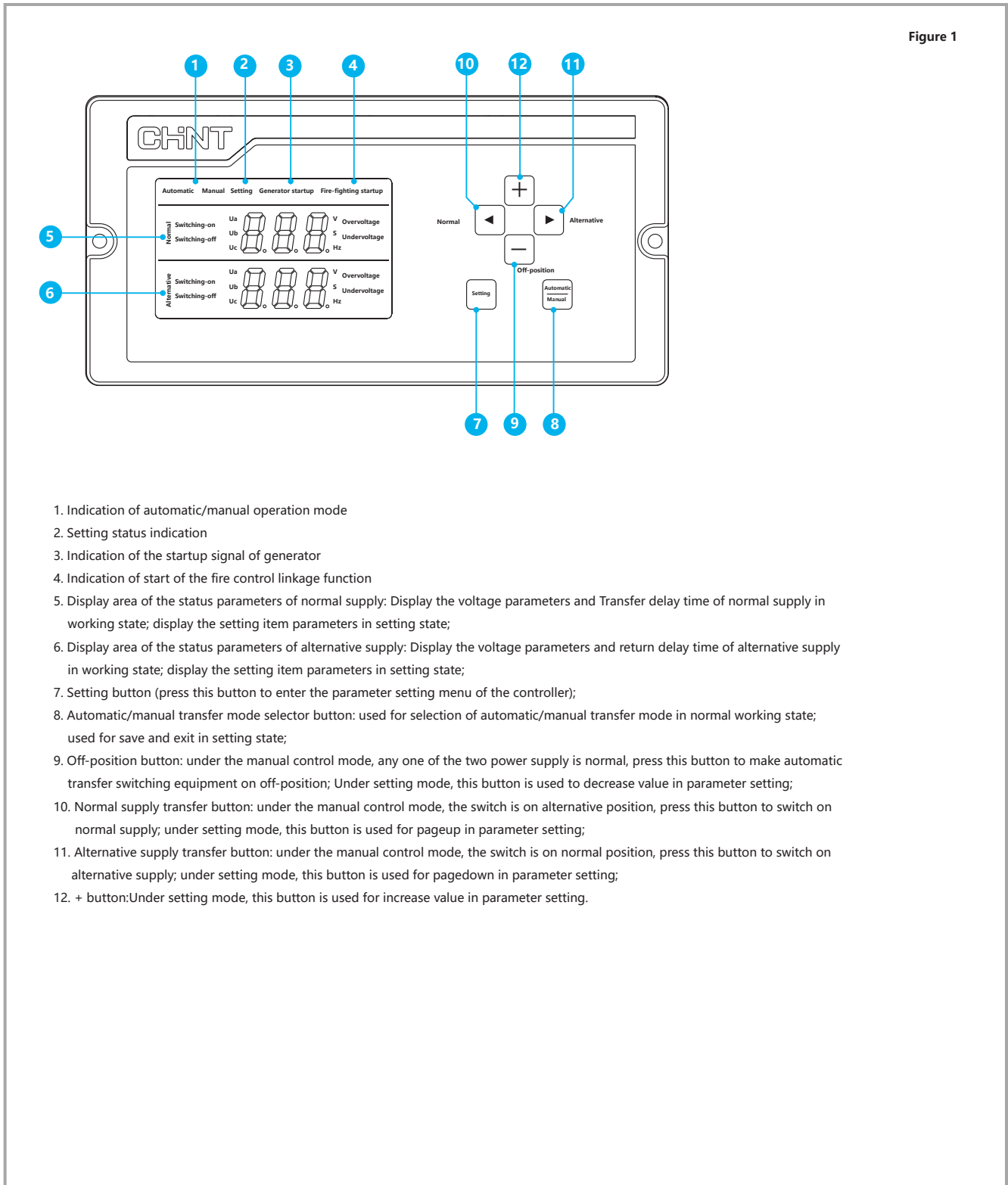


Figure 1

1. Indication of automatic/manual operation mode
2. Setting status indication
3. Indication of the startup signal of generator
4. Indication of start of the fire control linkage function
5. Display area of the status parameters of normal supply: Display the voltage parameters and Transfer delay time of normal supply in working state; display the setting item parameters in setting state;
6. Display area of the status parameters of alternative supply: Display the voltage parameters and return delay time of alternative supply in working state; display the setting item parameters in setting state;
7. Setting button (press this button to enter the parameter setting menu of the controller);
8. Automatic/manual transfer mode selector button: used for selection of automatic/manual transfer mode in normal working state; used for save and exit in setting state;
9. Off-position button: under the manual control mode, any one of the two power supply is normal, press this button to make automatic transfer switching equipment on off-position; Under setting mode, this button is used to decrease value in parameter setting;
10. Normal supply transfer button: under the manual control mode, the switch is on alternative position, press this button to switch on normal supply; under setting mode, this button is used for pageup in parameter setting;
11. Alternative supply transfer button: under the manual control mode, the switch is on normal position, press this button to switch on alternative supply; under setting mode, this button is used for pagedown in parameter setting;
12. + button: Under setting mode, this button is used for increase value in parameter setting.

Parameter setting of the display module of controller

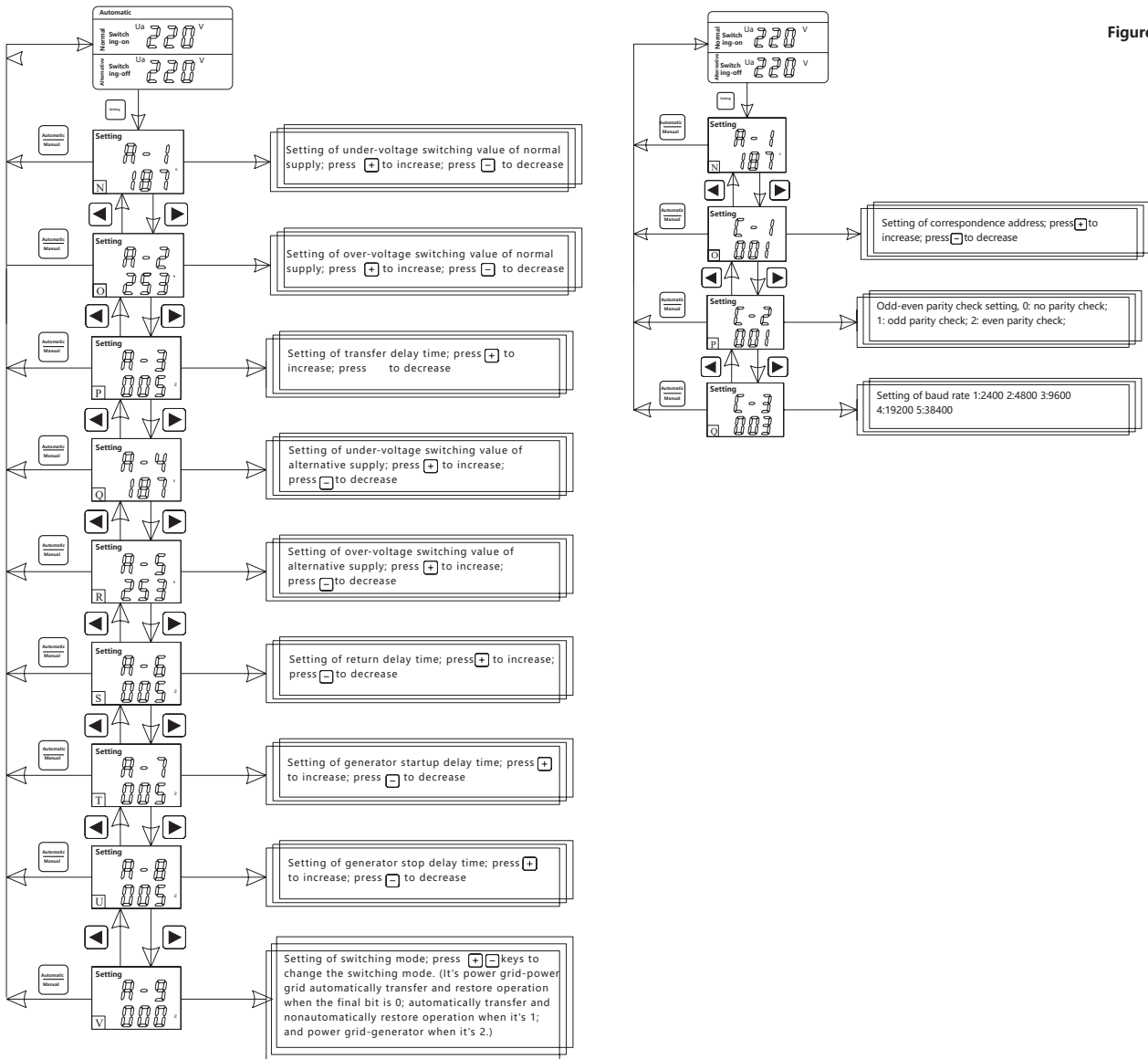


Figure 2

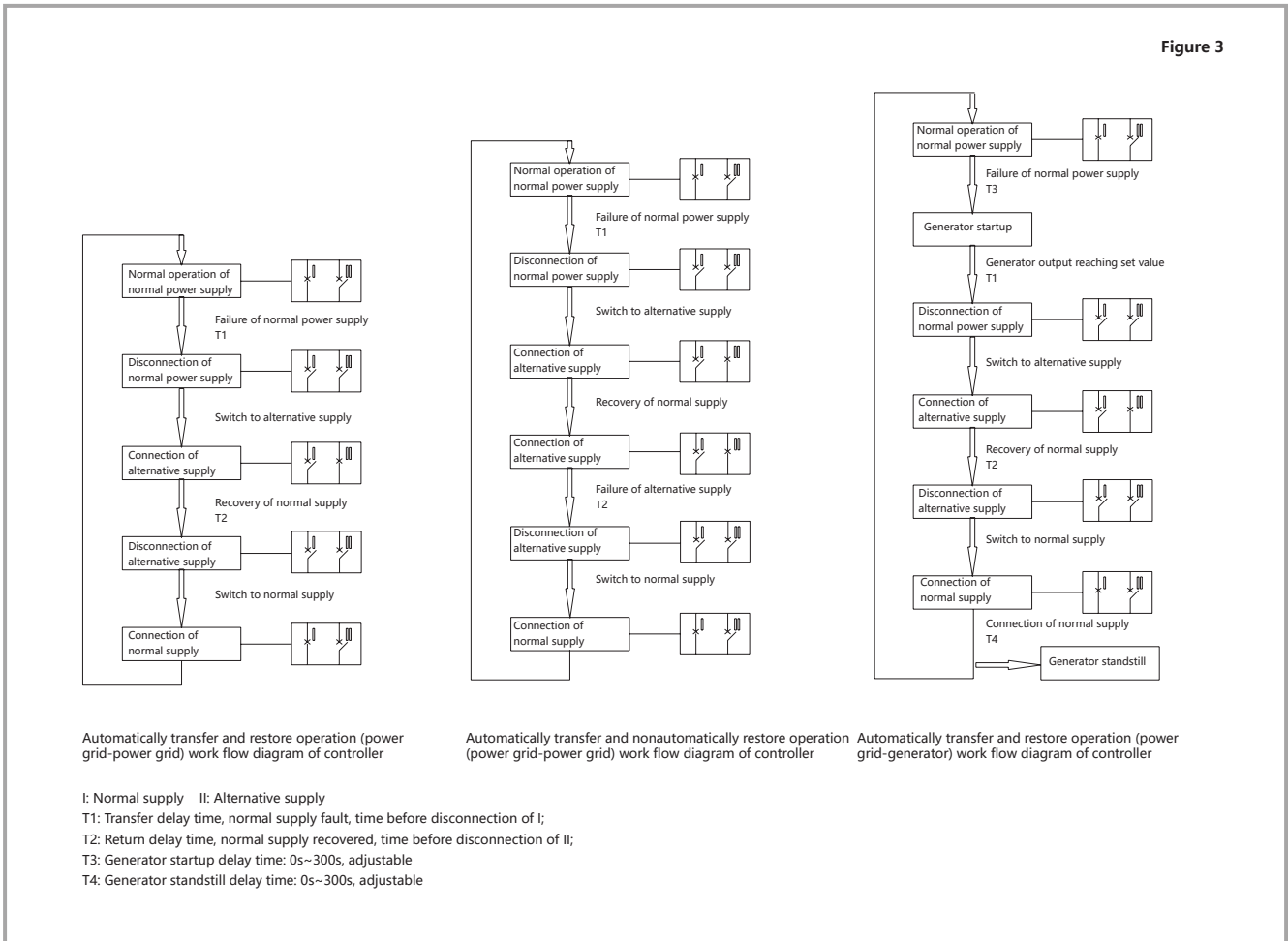
Note: The functional parameters of the display module and communication module are set as follows:

- Setting of under-voltage switching value: Default to 187V, user-settable 160V~200V;
 - Setting of over-voltage switching value: Default to 263V, user-settable 240V~290V;
 - Transfer delay setting: Default to 5s, user-settable 0s~300s;
 - Return delay setting: Default to 5s, user-settable 0s~300s;
 - Generator startup delay setting: Default to 5s, user-settable 0s~300s;
 - Generator stop delay setting: Default to 5s, user-settable 0s~300s;
 - Switching and power source mode: Default setting: automatically transfer and restore operation (grid - grid), and user can set automatically transfer and nonautomatically restore operation (grid - grid), automatically transfer and restore operation (grid - power generation)..
 - Default parameter setting for communication function: address: 1; Baud rate: 9600bps; parity check bit: odd parity; data bit: 8; stop bit: 1
- Buttons:
- Press setup key to enter the setting interface when the controller is working. Press " \leftarrow " " \rightarrow " to page up or down the setting menu.
 - Press manual/automatic key to exit from the setting menu. Press " \rightarrow " " \leftarrow " to revise the parameters.
- Parameter setting of communication function (note: please ask for the communication agreement from our after-service staff)



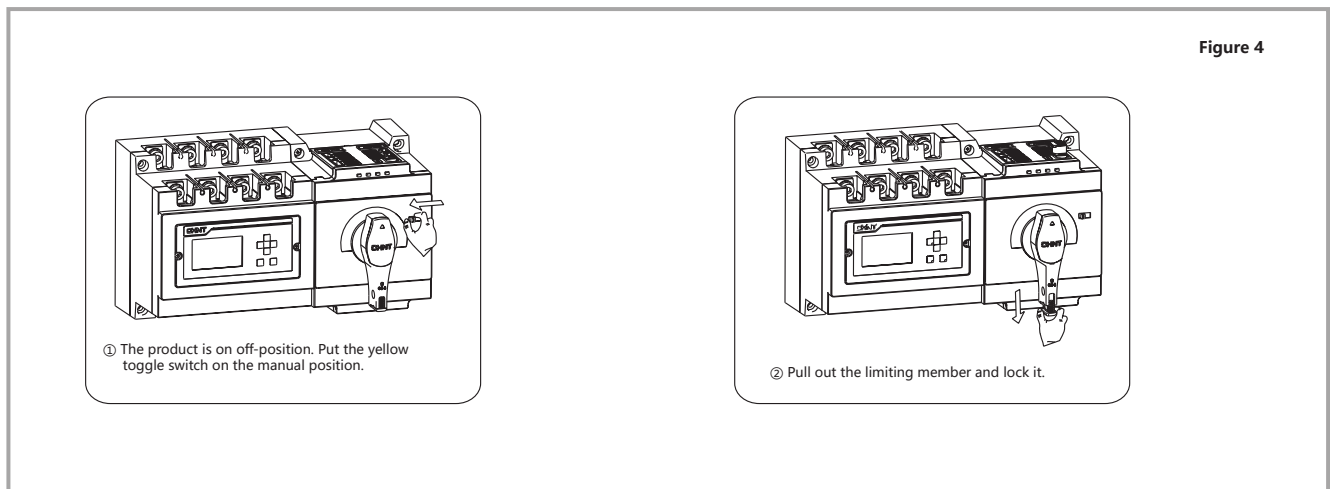
5. Functions and characteristics

Controller action flow



Padlocking function

Padlock apertureΦ5~Φ8 (mm)

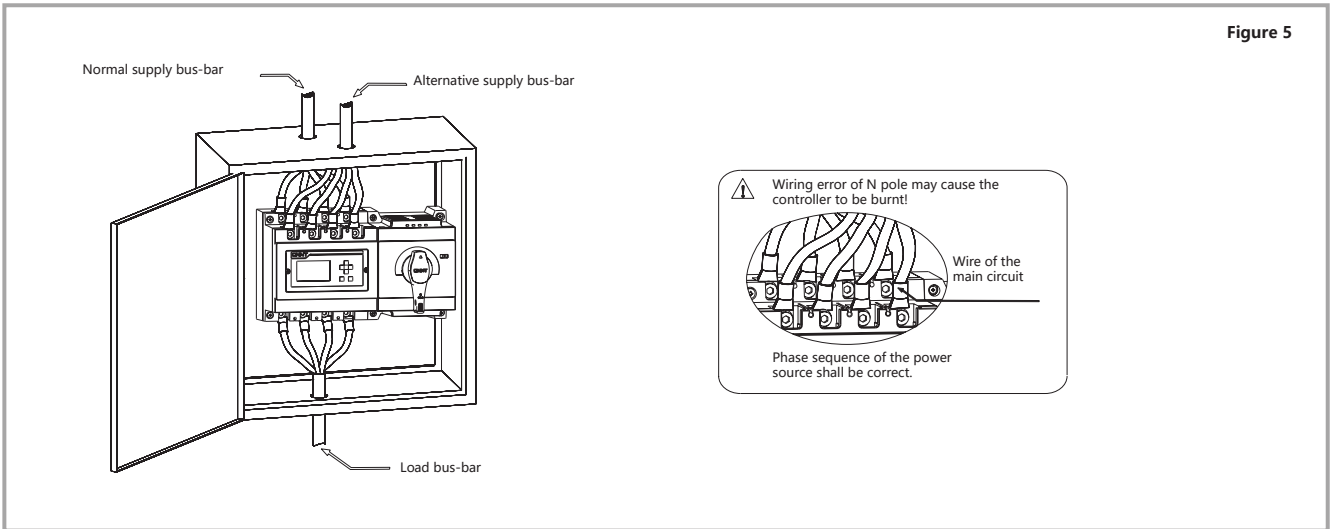


Communication function

Modbus protocol; RS485 interface.

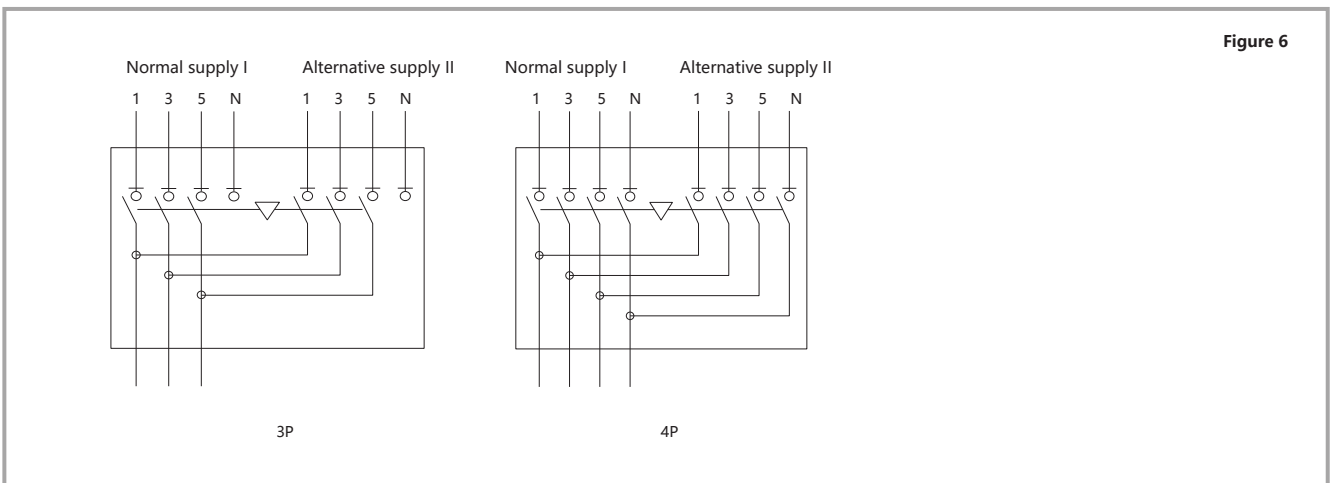
6. Mode of connection of the main part and controller

Product incoming mode: upper incoming



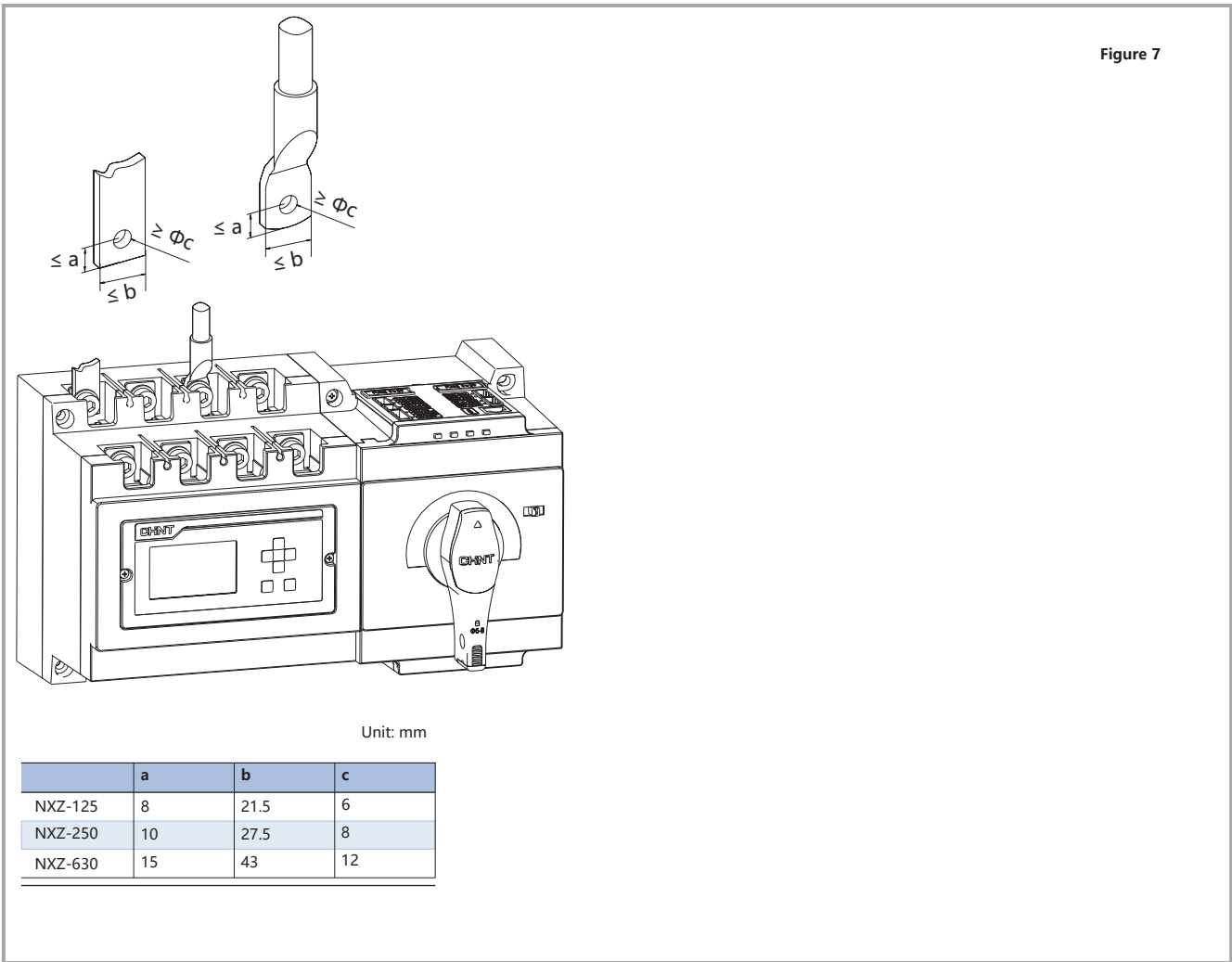
Installation mode: vertical or horizontal

Product wiring

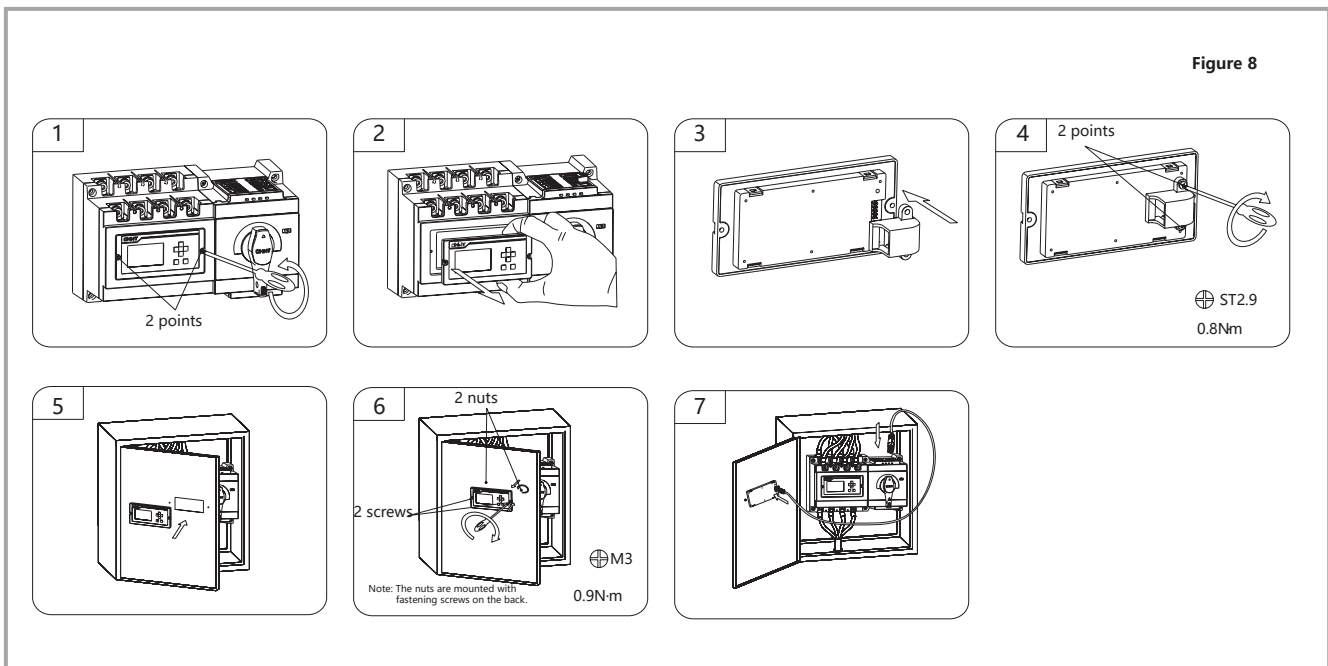


7. Mode of connection of the main part and controller

Wire connection



Split type installation of the display module (cabinet)



Wiring of signal and control terminal

A type controller

Figure 9

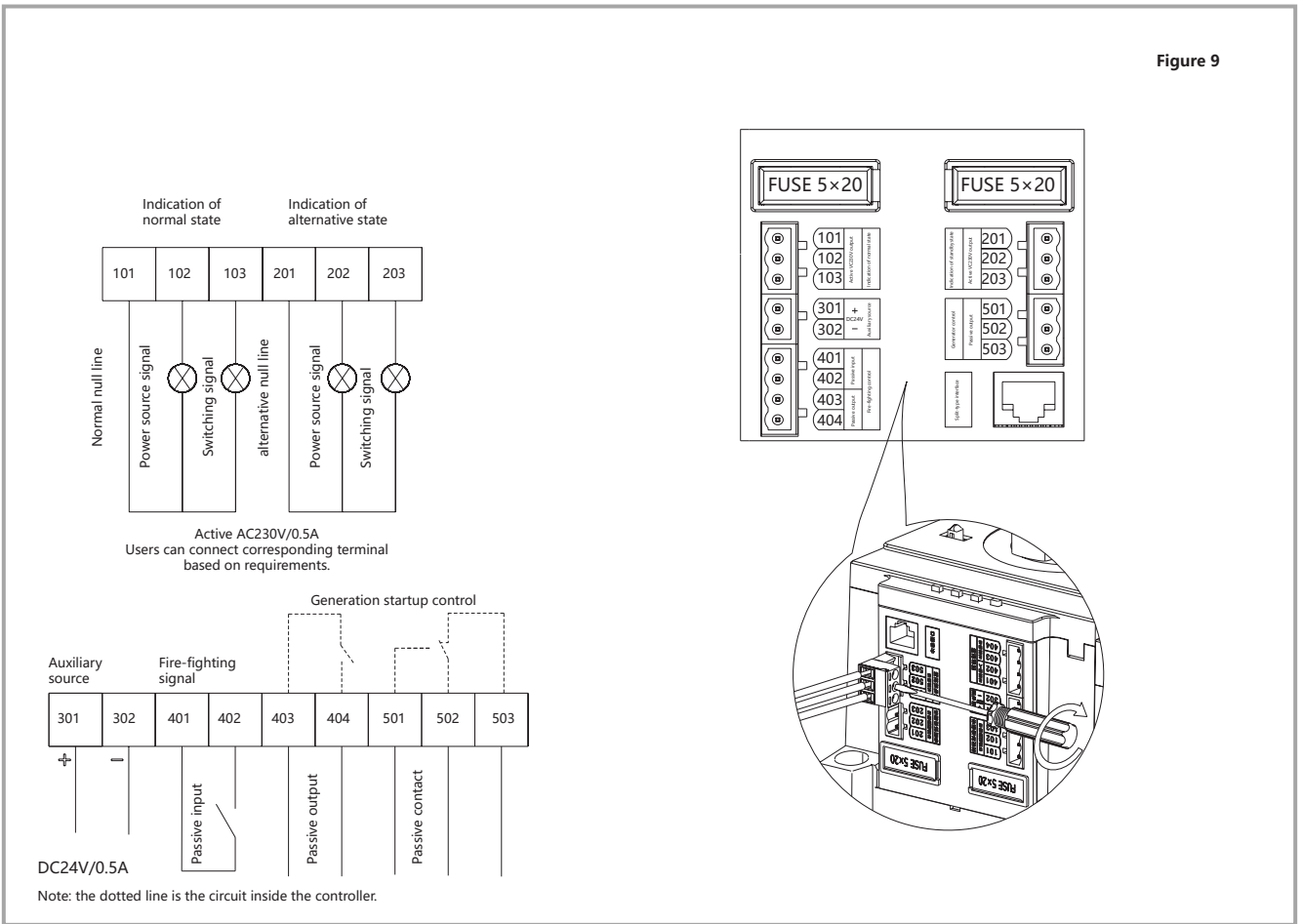
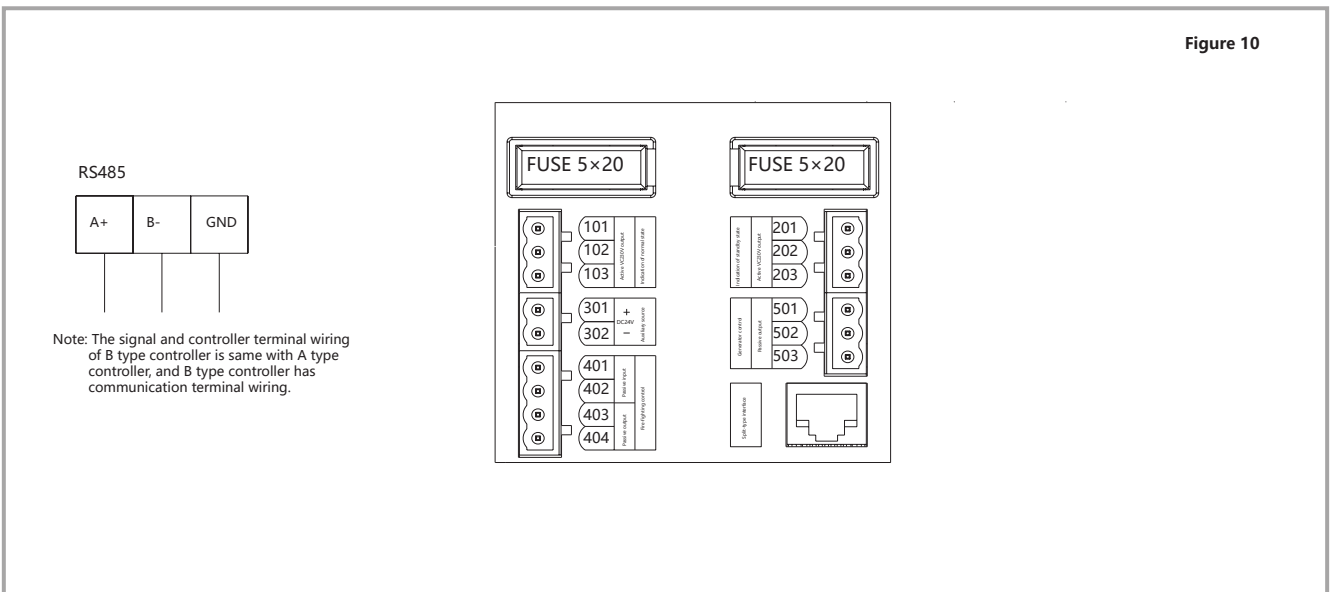


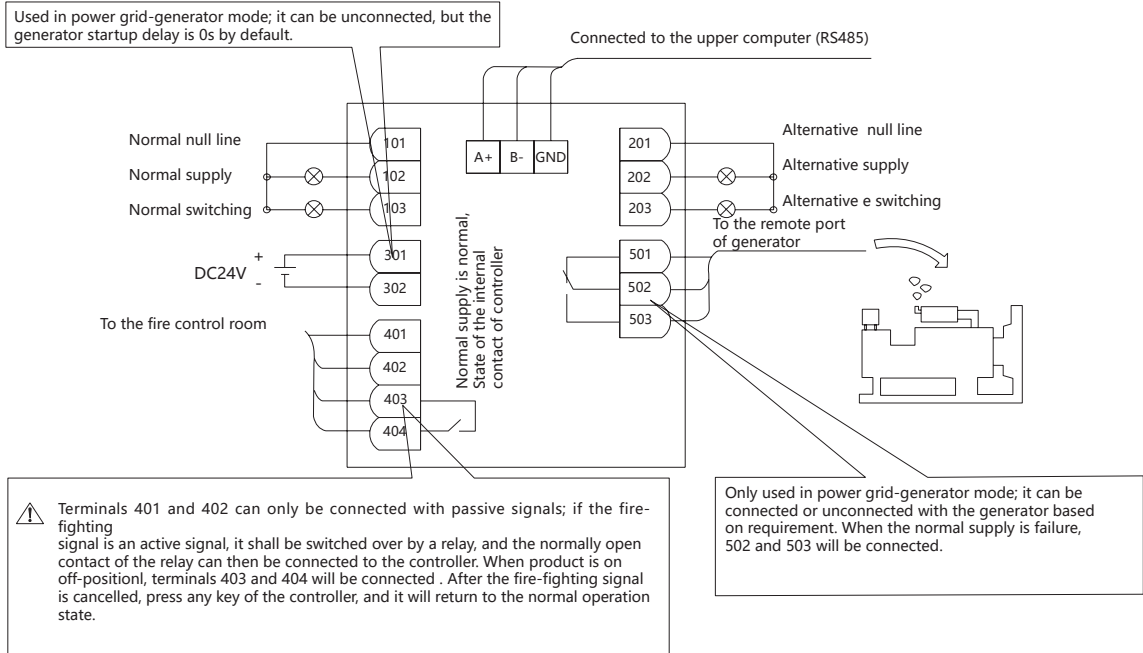
Figure 10



8. Mode of connection of the main part and controller

Typical application

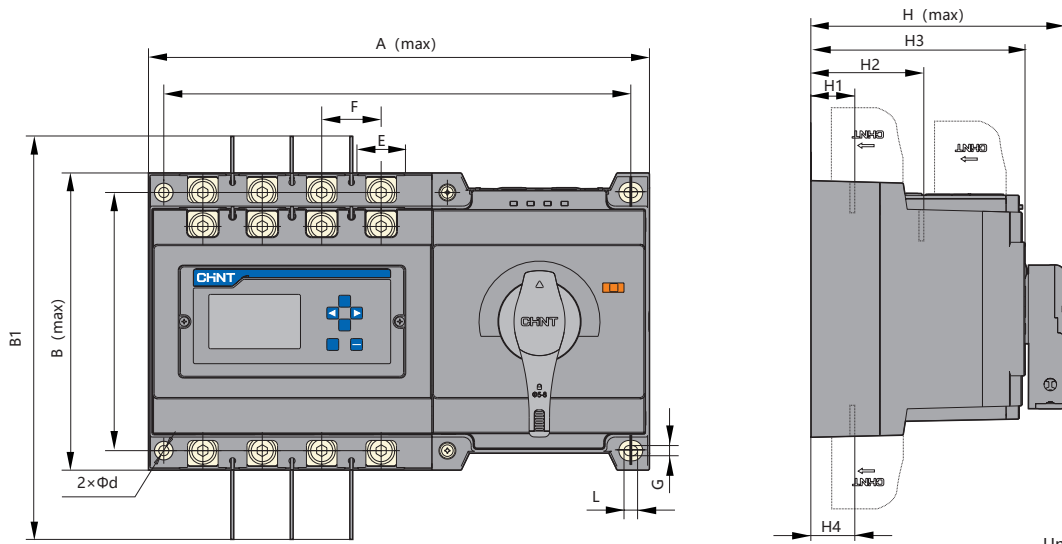
Figure 11



9. Overall and installation dimension

Product overall and installation dimension

Figure 12

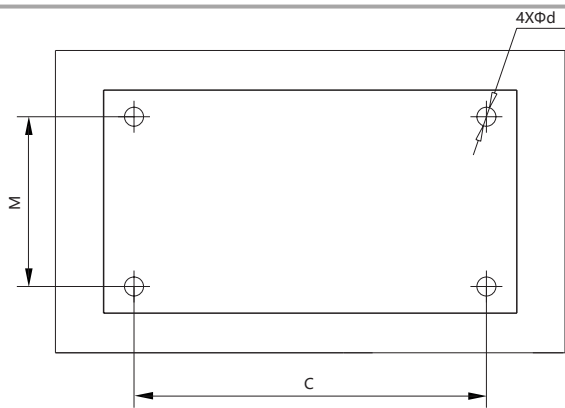


Unit: mm

Product code	A	A1	B	B1	D	E	F	G	L	H	H1	H2	H3	H4	d
NXZ-125	245	229.5	130	220	113	21.5	30	4.5	5.5	126	21	71	107.5	21	4.5
NXZ-250	295	275	175	304	152	27.5	35	6	8	175	29	99	146	29	6
NXZ-630	430	400	272	461	240	43	58	9	13	230	41	131	192	41	9

Hole size of the product installation plate

Figure 13

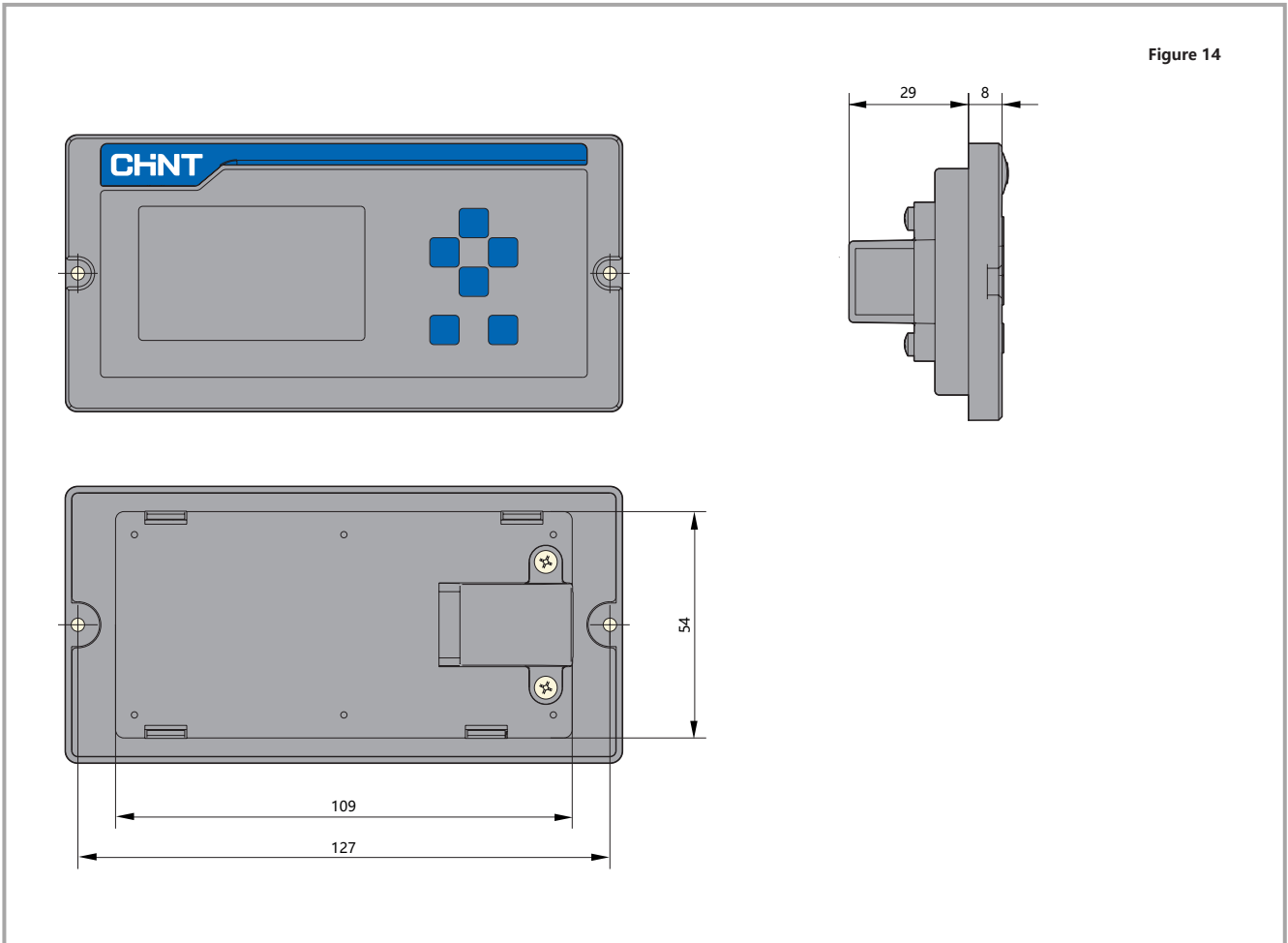


Unit: mm

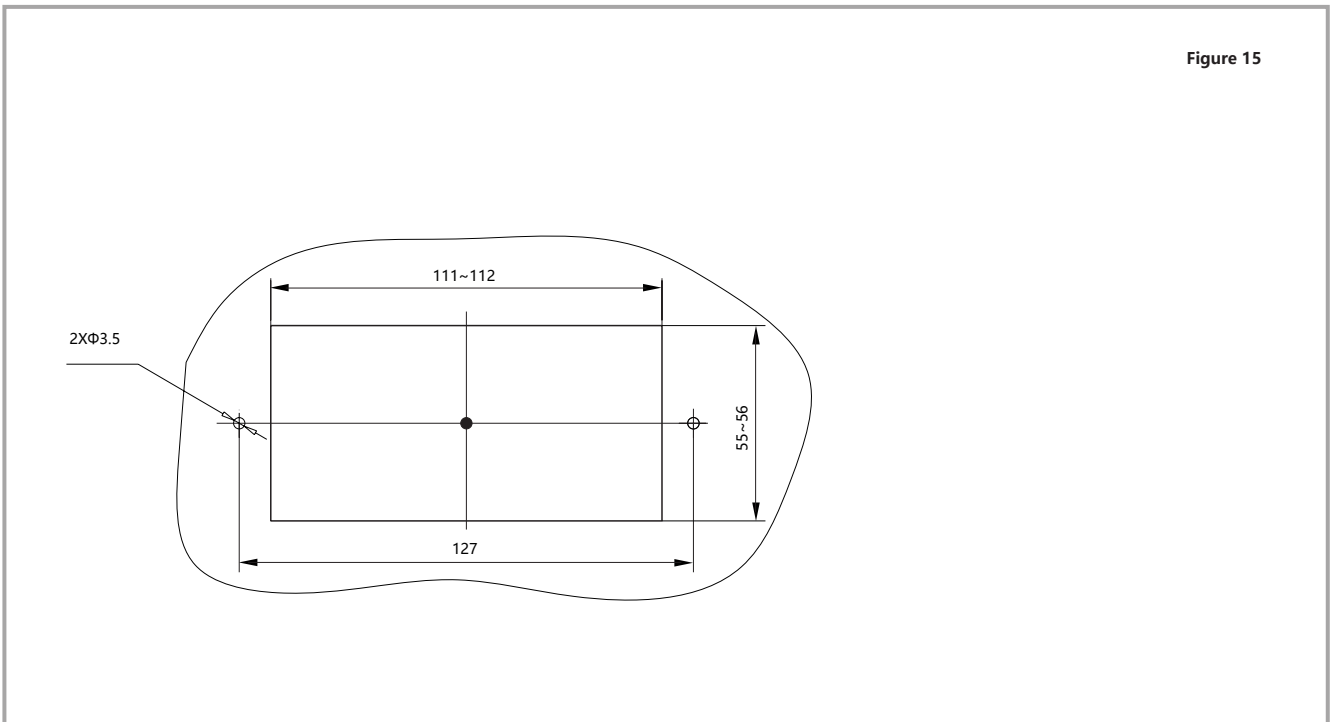
Product code	C	M	D
NXZ-125	229.5	113	4.5
NXZ-250	275	152	6
NXZ-630	400	240	9

10. Overall and installation dimension

Overall dimension of split type module (unit: mm)



Size of the installation cabinet of split type module (unit: mm)





NXZ(H)B, NXZ(H)M Series ATS

1. General

1.1 Scope of Application

1.1.1 NXZ(H)B/NXZ(H)M Series Automatic Transfer Switching Equipment is applicable to three-phase four-wire duplicate supply grid of AC 50/60Hz, rated voltage 400V/415V and below, rated current 800A, and can switch one or several load circuits from one power source to the other to ensure the normal power supply of the load circuit.

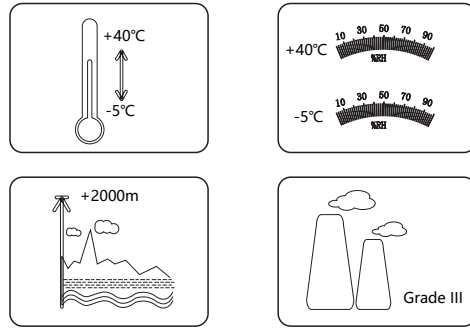
1.1.2 This product is applicable to industrial and commercial power use places, high-rise buildings, and residential houses.

1.2 Applicable standards

1.2.1 Product standard
IEC 60947-1.
IEC 60947-6-1.

1.2.2 Standards for use in extreme environment
IEC 60068-2-1. (Low Temperature)
IEC 60068-2-2. (High Temperature)
IEC 60068-2-30. (Cyclic Damp Heat)
IEC 60068-2-11. (Salt mist)

1.3 Normal working conditions



1.3.1 Ambient temperature

-5°C ~ +40°C; Users can custom-tailor relevant product to be used in the environment of -25°C ~ +70°C, and use the product according to the temperature compensation table.

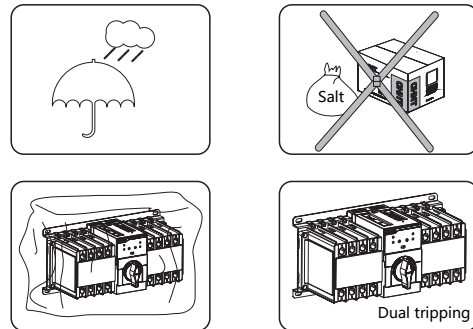
1.3.2 Sea level elevation

Equal to 2000m or below; if it needs to work above 2000m altitude, it shall be used according to the table of capacity reduction of different altitudes.

1.3.3 Atmospheric conditions

The relative humidity shall not exceed 50% when the surrounding air temperature is +40°C; the relative humidity can be higher when the temperature is lower; the average monthly maximum relative humidity in the wettest month is 90%, and the average monthly minimum temperature shall be +20°C. Special measures may be necessary in cases of occasional condensation due to variations in temperature.

1.3.4 Pollution degree: class 3



1.3.5 Installation category

Installation category of the switching equipment of main circuit is category IV.

Installation category of auxiliary circuit is category III.

Installation category of conversion controller is category II.

1.3.6 Utilization category:

NXZB: AC-33iB

NXZ (H) B: AC-33B

NXZ (H) M: AC-33B

1.3.7 Electromagnetic compatibility (EMC)

Electrostatic discharge (IEC 61000-4-2) Level 2

Radio-frequency electromagnetic field-radiated

electromagnetic field immunity (IEC 61000-4-3) Level 3,

Fast transient bursts (IEC 61000-4-4) Level 3,

Surges (IEC 61000-4-5) Level 3, Radio-frequency

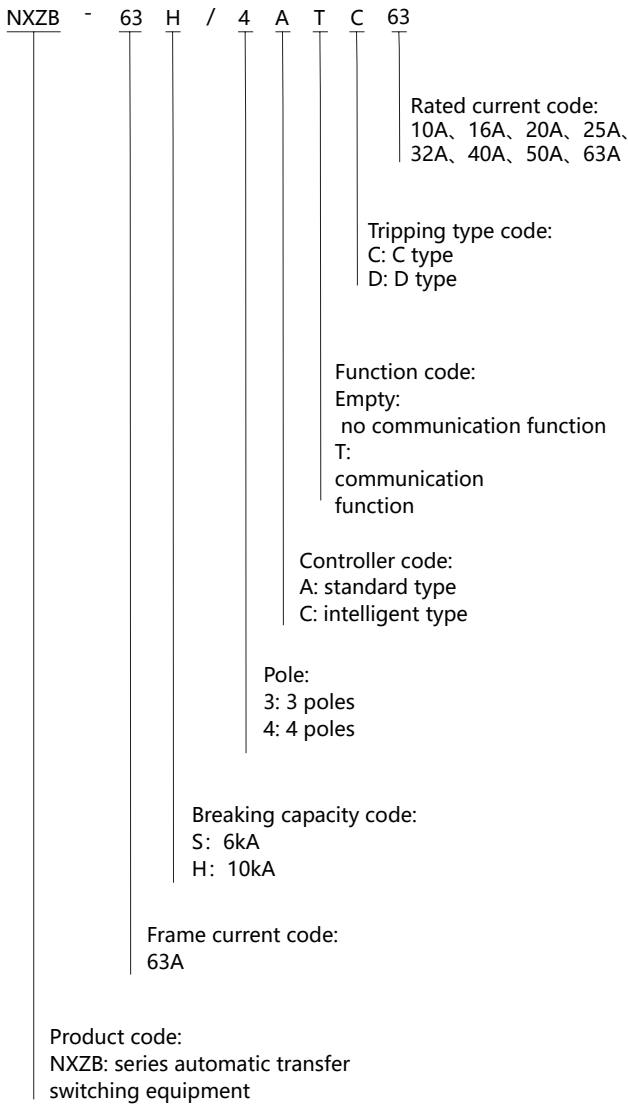
electromagnetic field-conducted immunity (IEC 61000-4-6)

Level 3, Radiation grade (CISPR11) grade B,

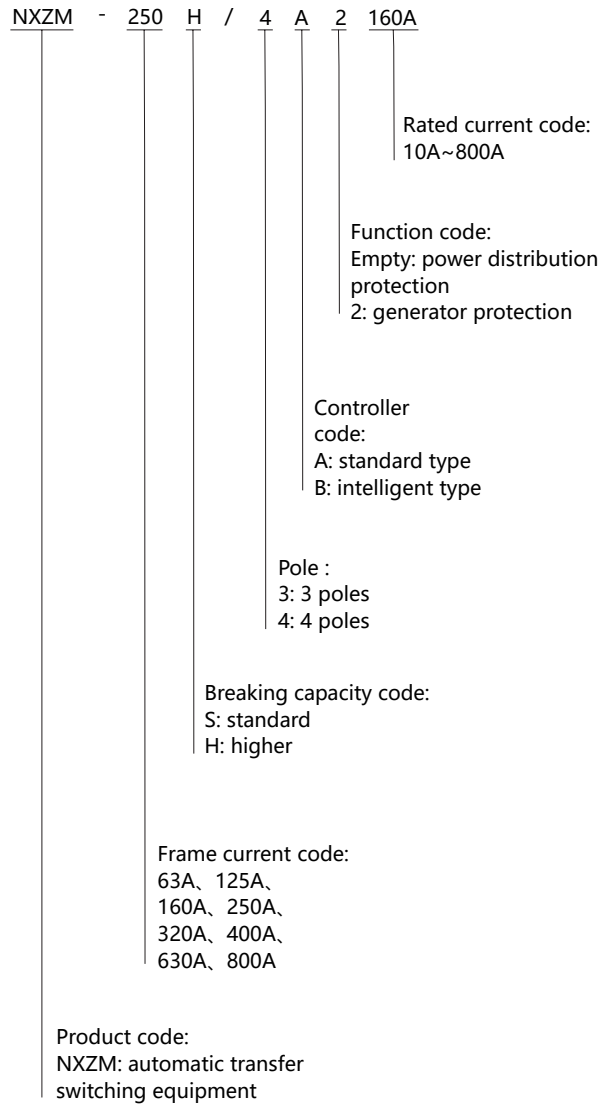


2. Model definition and description

NXZB-63 (Class CB)



NXZM (Class CB)



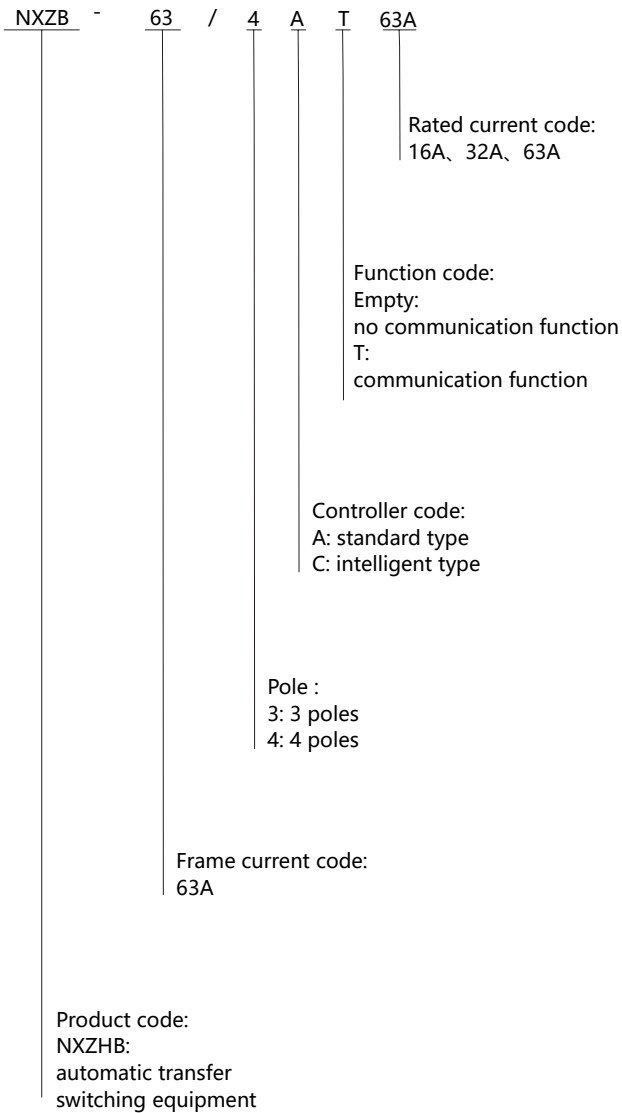
Type selection example:
 NXZB-63H/4C 63: To order a class CB automatic transfer switching equipment, the frame current is 63A, number of poles is 4P, the breaking capability is 10kA, rated current is 63A, the tripping type is C type, with an intelligent controller (C type).

Type selection example:
 NXZM-250H/4A 160A: To order a class CB automatic transfer switching equipment, the frame current is 250A, number of poles is 4P, H breaking capability, rated current is 160A, with a standard controller (A type) and generator protection.

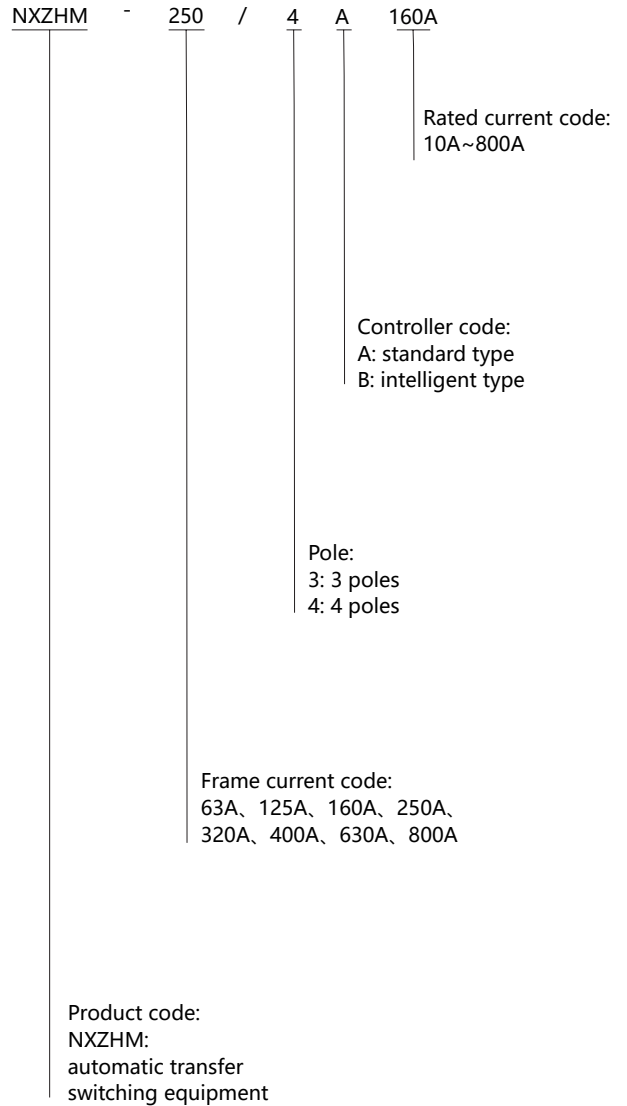
Comparison Table of Frame Current and Rated Current

Rated current (A)	10	16	25	32	40	50	63	80	100	125	160	180	200	225	250	315	320	350	400	500	630	700	800	
63	■	■	■	■	■	■	■																	
125							■	■	■	■														
160										■	■													
250											■	■	■	■	■									
320															■		■							
400															■	■		■	■					
630																			■	■	■			
800																					■	■	■	

NXZHB-63 (Class PC)



NXZHM (Class PC)



Type selection example:
NXZHB-63/4A 63A: To order a PC grade automatic transfer switching equipment, the frame current is 63A, number of poles is 4P, rated current is 63A, with a standard controller (A type).

Type selection example:
NXZHM-250/4A 250A: To order a PC grade automatic transfer switching equipment, the frame current is 250A, number of poles is 4P, rated current is 250A, with a standard controller (A type)

Comparison Table of Frame Current and Rated Current

Rated current (A)	10	16	25	32	40	50	63	80	100	125	160	180	200	225	250	315	320	350	400	500	630	700	800	
63	■	■	■	■	■	■	■																	
125							■	■	■	■														
160										■	■													
250											■	■	■	■	■									
320															■		■							
400															■	■		■	■					
630																			■	■	■			
800																					■	■	■	



3. Functions and characteristics

Technical parameters of NXZB-63 (class CB)

Model	NXZB-63S	NXZB-63H
Electrical characteristics		
Execution body	NXB-63	NXB-63H
Frame current (A)	63	63
Rated current (A)	10, 16, 20, 25, 32, 40, 50, 63	10, 16, 20, 25, 32, 40, 50, 63
Rated operational voltage Ue (V)	400	400
Rated insulation voltage Ui (V)	500	500
Rated impulse voltage Uimp (kV)	4	4
Utilization category	AC-33iB	AC-33iB
Number of poles	3P、4P	3P、4P
Rated short-circuit making capacity Icm (kA)	9	17
Rated short-circuit breaking capacity Icn (kA)	6	10
Tripping curve type	C、D	C、D
Mechanical endurance (times)	10000	10000
Electrical endurance (times)	3000	3000
Controller characteristics		
Controller model	A type (standard), C type (intelligent)	
Operating transfer time (s)	1.4× (1±10%)	
Controller installation mode	Built in	
Rated control power source voltage Us(V)	230 50Hz	
Control voltage range	85%Ue~110%Ue	

Technical parameters of NXZM (class CB)

Model	NXZM-63	NXZM-125	NXZM-160	NXZM-250	NXZM-320	NXZM-400	NXZM-630	NXZM-800
Electrical characteristics								
Execution body	NXM-63	NXM-125	NXM-160	NXM-250	NXM-320	NXM-400	NXM-630	NXM-800
Frame current (A)	63	125	160	250	320	400	630	800
Rated current (A)	10, 16, 25, 32, 40, 50, 63	63, 80, 100, 125	125, 160	160, 180, 200, 225, 250	160, 180, 200, 225, 250, 320	250, 315, 350, 400	400, 500, 630	630, 700, 800
Rated operational voltage Ue (V)	400/415 50Hz							
Rated insulation voltage Ui (V)	AC800	AC800	AC800	AC1000	AC1000	AC1000	AC1000	AC1000
Rated impulse voltage Uimp (kV)	8					12		
Use type	AC-33B							
Number of poles	3P、4P							
Rated short-circuit making capacity Icm (kA)	S: 52.5 H: 105	S: 52.5 H: 105	S: 73.5 H: 105	S: 73.5 H: 105	S: 73.5 H: 105	S: 105 H: 143	S: 105 H: 143	S: 105 H: 165
Rated short-circuit breaking capacity Icn (kA)	S: 25 H: 50	S: 25 H: 50	S: 35 H: 50	S: 35 H: 50	S: 35 H: 50	S: 50 H: 65	S: 50 H: 65	S: 50 H: 75
Mechanical endurance (times)	10000	10000	8000	6000	6000	4000	4000	4000
Electrical endurance (times)	2000	2000	2000	2000	2000	1500	1500	1000
Controller characteristics								
Controller model	A type (standard), B type (intelligent)							
Operating transfer (s)	2.8 × (1±10%)	2.8 × (1±10%)	3.3 × (1±10%)	3.3 × (1±10%)	3.3 × (1±10%)	3.5 × (1±10%)	3.5 × (1±10%)	4 × (1±10%)
Installation mode	Integrated, split							
Rated control power source voltage Ue(V)	230/240 50Hz							
Control voltage range	85%~110%Ue							

Technical parameters of NXZHB-63 (class PC)

Model	NXZHB-63
Electrical characteristics	
Frame current (A)	63
Rated current (A)	16, 32, 63A
Rated operational voltage U _e (V)	400
Rated insulation voltage U _i (V)	500
Rated impulse voltage U _{imp} (kV)	4
Utilization category	AC-33B
Number of poles	3P, 4P
Rated conditional short-circuit current I _q (kA)	100
Mechanical endurance (times)	10000
Electrical endurance (times)	1500
Controller characteristics	
Controller model	A type (standard), C type (intelligent)
Operating transfer (s)	1.4× (1±10%)
Controller installation mode	Built in
Rated control power source voltage U _e (V)	230 50Hz
Control voltage range	85%U _e ~110%U _e

Technical parameters of NXZHM (class PC)

Model	NXZM-63	NXZM-125	NXZM-160	NXZM-250	NXZM-320	NXZM-400	NXZM-630	NXZM-800
Electrical characteristics								
Execution body	NXM-63	NXM-125	NXM-160	NXM-250	NXM-320	NXM-400	NXM-630	NXM-800
Frame current (A)	63	125	160	250	320	400	630	800
Rated current (A)	10, 16, 25, 32, 40, 50, 63	63, 80, 100, 125,	125, 160	160, 180, 200, 225, 250	160, 180, 200, 225, 250, 320	250, 315, 350, 400	400, 500, 630	630, 700, 800
Rated operational voltage U _e (V)	400/415 50Hz							
Rated insulation voltage U _i (V)	AC800	AC800	AC800	AC1000	AC1000	AC1000	AC1000	AC1000
Rated impulse voltage U _{imp} (kV)	8					12		
Utilization category	AC-33B							
Number of poles	3P, 4P	3P, 4P	3P, 4P	3P, 4P	3P, 4P	3P, 4P	3P, 4P	3P, 4P
Rated conditional short-circuit current I _q (kA)	100	100	100	100	100	100	100	100
Mechanical endurance (times)	10000	10000	8000	6000	6000	4000	4000	4000
Electrical endurance (times)	2000	2000	2000	2000	2000	1500	1500	1000
Controller characteristics								
Controller model	A type (standard), B type (intelligent)							
Operating transfer (s)	2.8 × (1±10%)	2.8 × (1±10%)	3.3 × (1±10%)	3.3 × (1±10%)	3.3 × (1±10%)	3.5 × (1±10%)	3.5 × (1±10%)	4 × (1±10%)
Installation mode	Integrated, split							
Rated control power source voltage U _s (V)	230/240 50Hz							
Control voltage range	85%~110%U _e							

4. Functions and characteristics

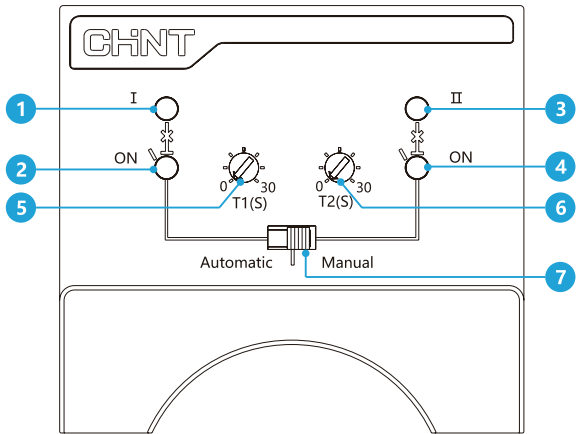
Functional parameters of NXZ (H) B controller

Function	Model	A type (standard)	C型
Manual/automatic transfer		■	■
Main contact positions			
Normal position		■	■
Alternative position		■	■
Off-position		■	■
Automatic control			
Normal supply of monitoring		■ Phase failure/loss of voltage, undervoltage, overvoltage fault	■ Phase failure/loss of voltage, undervoltage, overvoltage fault
Alternative supply of monitoring		■ Phase failure/loss of voltage, undervoltage, overvoltage fault	■ Phase failure/loss of voltage, undervoltage, overvoltage fault
Automatically transfer and restore operation		■	■
Grid-grid		■	■
Phase failure/loss of voltage transfer		■	■
Undervoltage transfer		■	■
Delay adjustable		■	■
Transfer delay		0s~30s adjustable	0s~30s adjustable
Return delay		0s~30s adjustable	0s~30s adjustable
Generator control		-	Optional
Fire control linkage		■	■
Fire control feedback		■	■
Indication			
Switching-on/switching-off/dual tripping indication		■	■
Normal/alternative supply indication		■	■
Parameter setting indication			
Others			
Communication function		Optional	Optional

Table of main functional parameters of NXZ (H) M controller

Function	Model	A type (standard)	B type (intelligent)
Manual/automatic transfer		■	■
Main contact positions			
Normal position		■	■
Alternative position		■	■
Off-position		■	■
Automatic control			
Normal supply of monitoring		■ Phase failure/loss of voltage, undervoltage, overvoltage fault	■ Phase failure/loss of voltage, undervoltage, overvoltage fault
Alternative supply of monitoring		■ Phase failure/loss of voltage, undervoltage, overvoltage fault	■ Phase failure/loss of voltage, undervoltage, overvoltage fault
Automatically transfer and restore operation		■	■
Automatically transfer and nonautomatically restore operation		■	■
Grid-grid		■	■
Grid-generator		-	-
Phase failure/loss of voltage transfer		■	■
Undervoltage transfer		■	■
Overvoltage transfer		■	■
Delay adjustable		■	■
Transfer delay		0s~180s adjustable	0s~180s adjustable
Return delay		0s~180s adjustable	0s~180s adjustable
Generator control		-	■
Fire control linkage		■	■
Fire control feedback		■	■
Indication			
Switching-on/switching-off/off-position		■	■
Normal/alternative supply indication		■	■
Parameter setting indication		■	■
Fault tripping indication		■	■
Others			
Communication function		Optional	Optional
Display module		■ LED	■ LED

Functional description of NXZ (H) B



- 1 Normal supply (red)
- 2 Normal switching-on (green)
- 3 Alternative supply (red)
- 4 Alternative switching-on (green)
- 5 Transfer delay time setting (normal to alternative)
- 6 Return time delay setting (alternative to normal)
- 7 Automatic/manual switching

Indicator light information

	①	②	③	④
Product status				
Normal supply normal	Normal on			
Normal circuit breaker switched on		Normal on		
Alternative supply normal			Normal on	
Alternative breaker switched on				Normal on
Transfer delay				Flash
Return delay		Flash		
Normal circuit breaker tripped	Flash	Flash		
Alternative breaker tripped			Flash	Flash
Product transfer fault	Flash		Flash	
Fire control linkage		Flash		Flash

Lock system

During line repair or fault-based maintenance, put the product on off-position, and then pull out the locking system of the handle, then lock it. The lock hole diameter is $\Phi 5.5$.

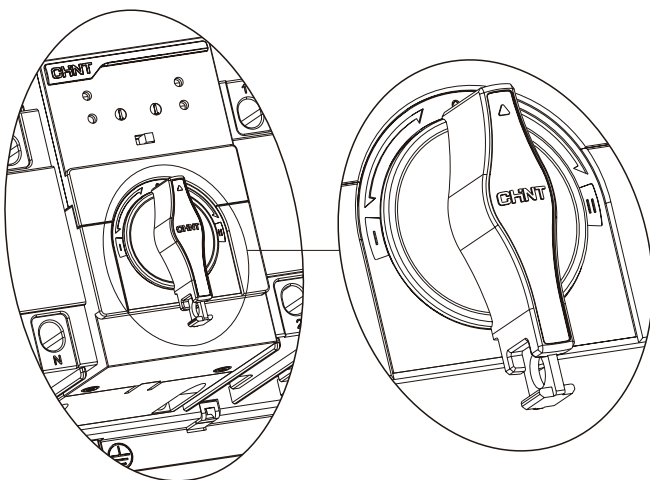


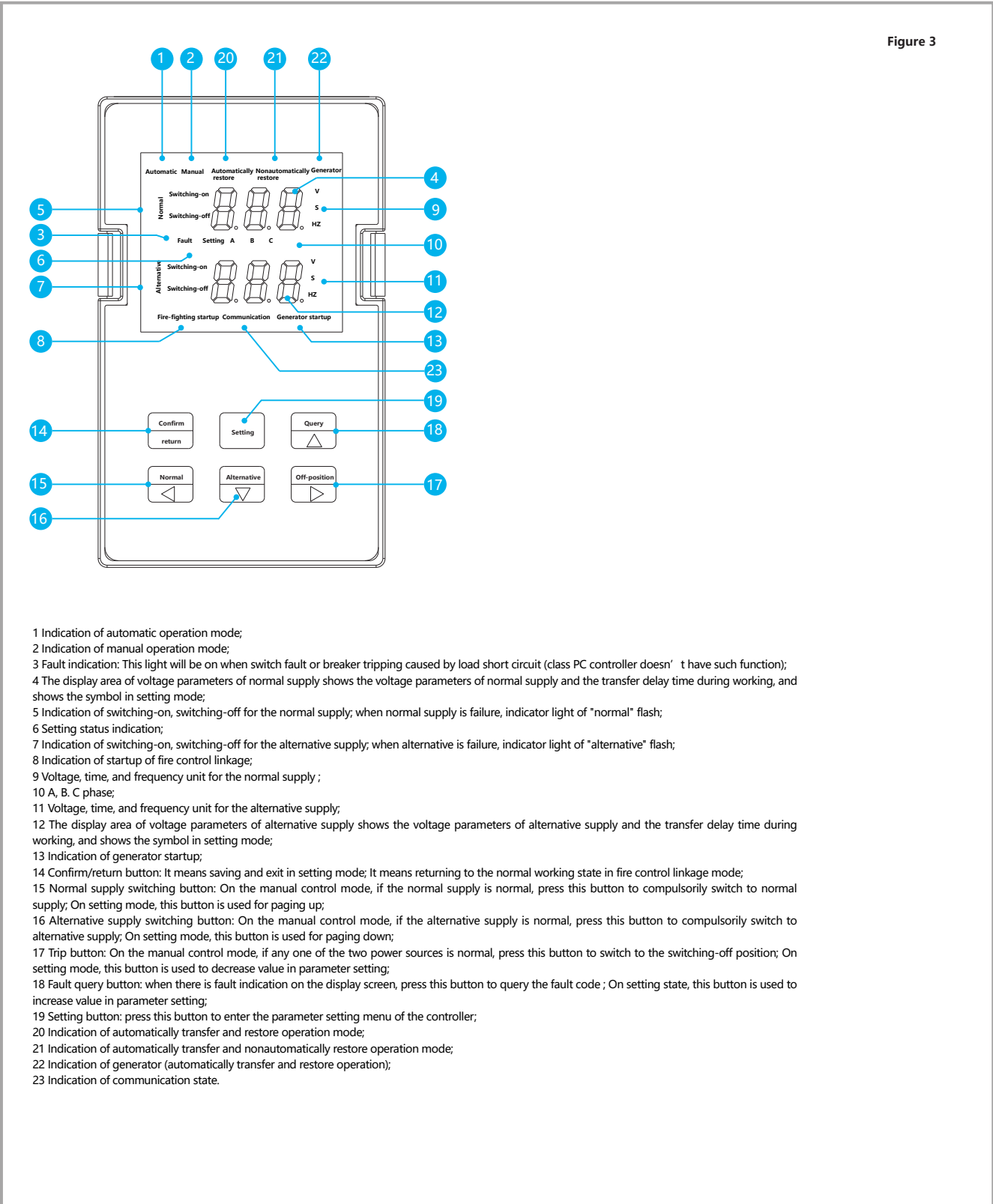
Figure 2



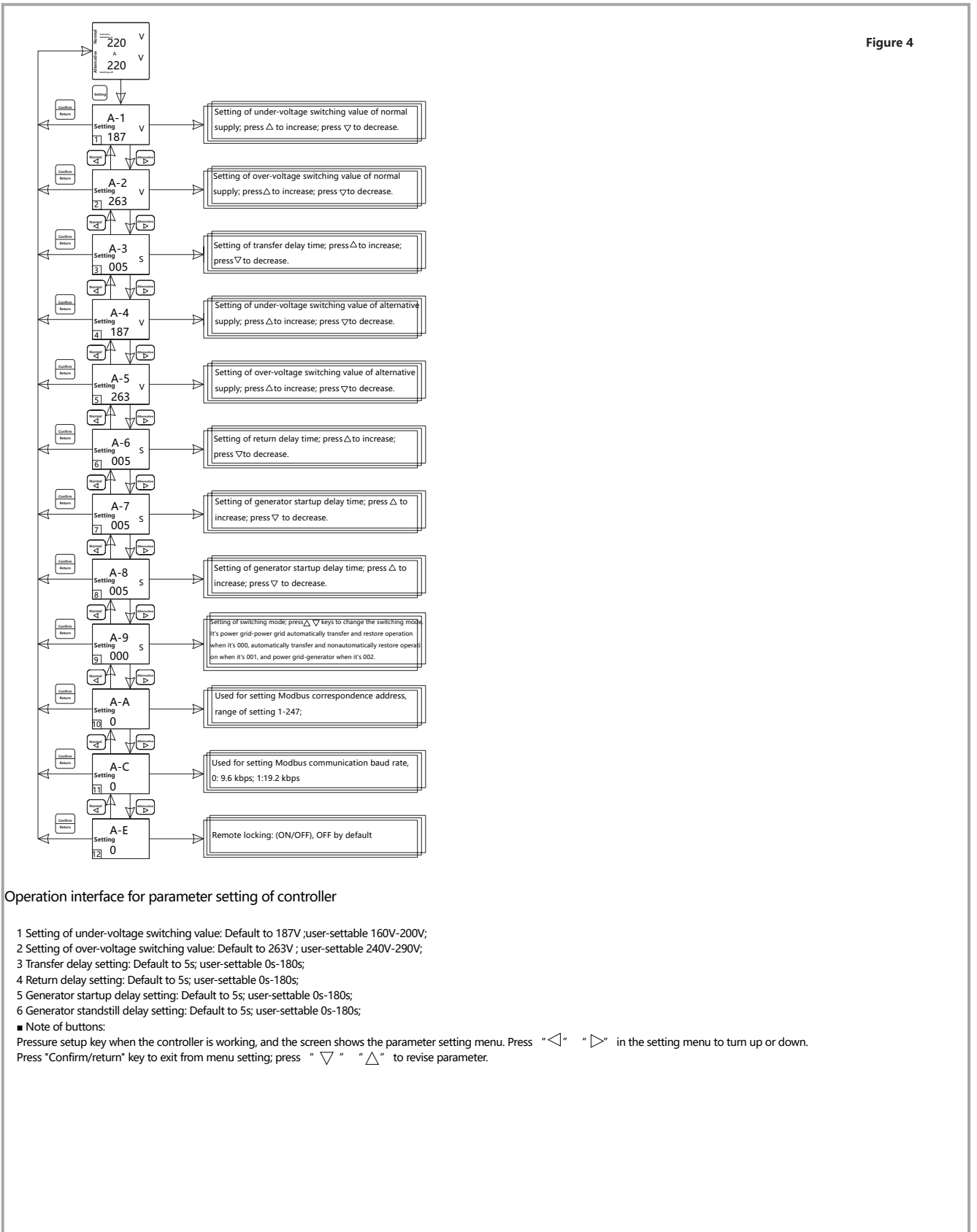
5. Functions and characteristics

Functional description of NXZ (H) M

Operation interface of the display module of controller



Parameter setting of the display module of controller



Operation interface for parameter setting of controller

- 1 Setting of under-voltage switching value: Default to 187V ;user-settable 160V-200V;
- 2 Setting of over-voltage switching value: Default to 263V ; user-settable 240V-290V;
- 3 Transfer delay setting: Default to 5s; user-settable 0s-180s;
- 4 Return delay setting: Default to 5s; user-settable 0s-180s;
- 5 Generator startup delay setting: Default to 5s; user-settable 0s-180s;
- 6 Generator standstill delay setting: Default to 5s; user-settable 0s-180s;

■ Note of buttons:

Pressure setup key when the controller is working, and the screen shows the parameter setting menu. Press " \triangleleft " " \triangleright " in the setting menu to turn up or down. Press "Confirm/return" key to exit from menu setting; press " ∇ " " Δ " to revise parameter.

6. Mode of connection of the main part and controller

Mode of connection of NXZB and NXZHB

Product wiring

The incoming line is connected from the top of product; the outgoing line is connected from the bottom of product; the product can be installed vertically or horizontally.

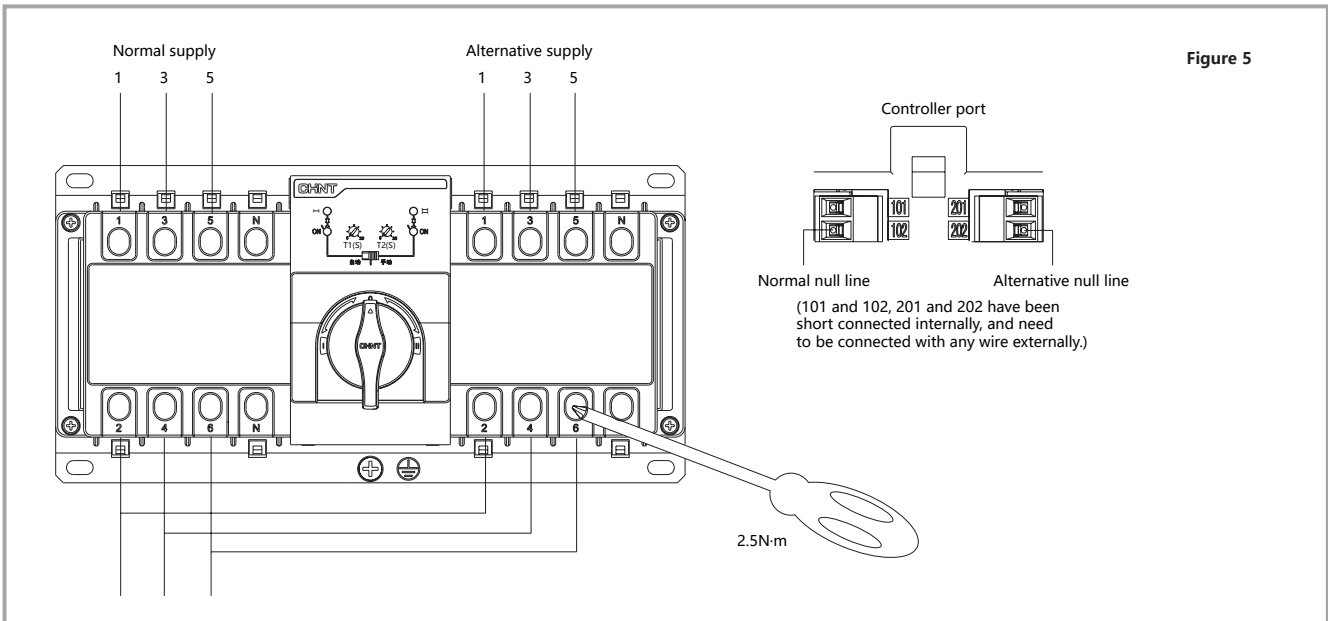
Wiring as follows. The power phase sequence shall be correct; in particular, N pole shall not be wrongly connected.

The connecting wire (electric cable) adopts single core Polyvinyl chloride (PVC) insulated conductor or copper bar of the equivalent effect. Advice as follows:

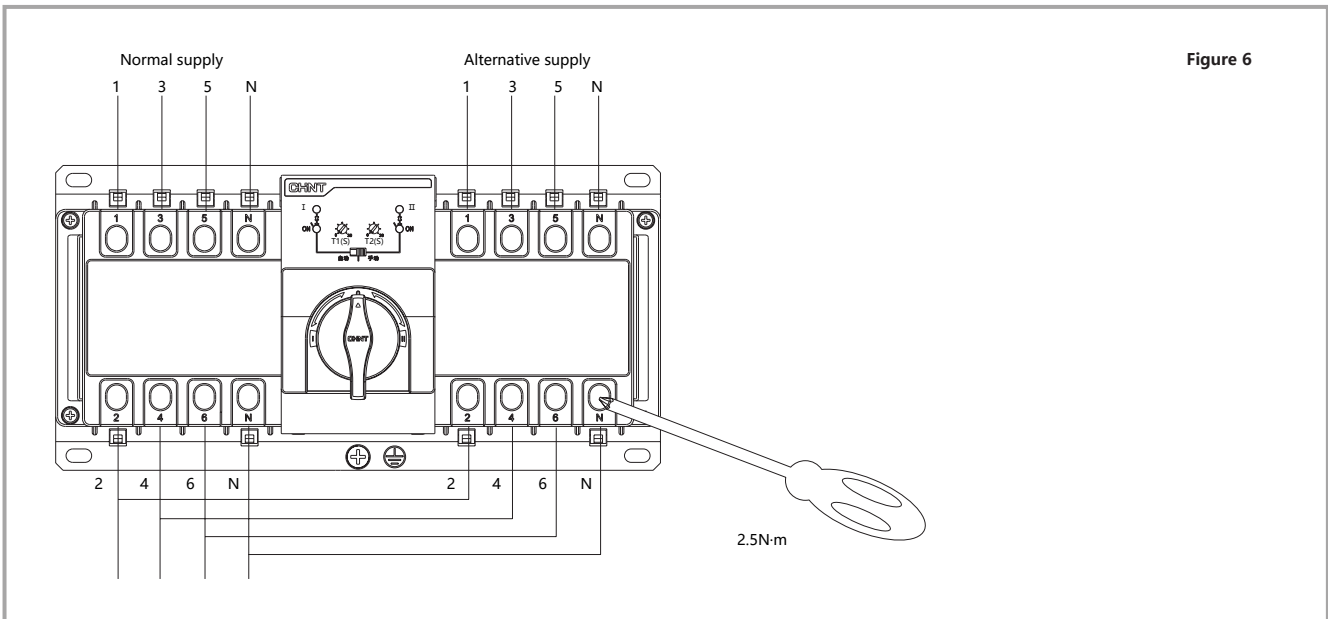
Cross-sectional area of copper conductor

Safe ampacity (A)	20	25	32	40	50	63
Cross-sectional area of copper conductor (mm ²)	2.5	4	6	10	10	16

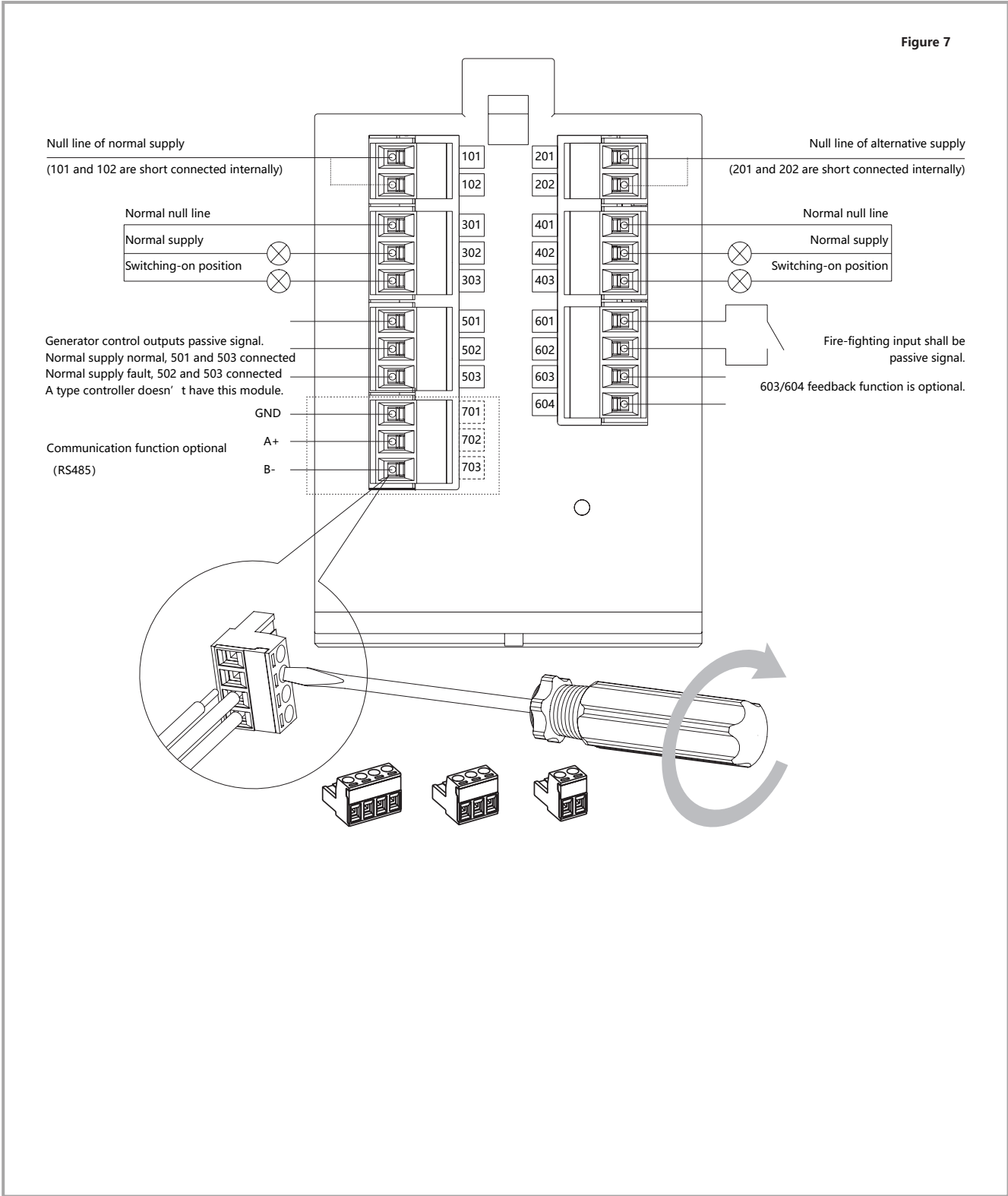
3P product



4P product



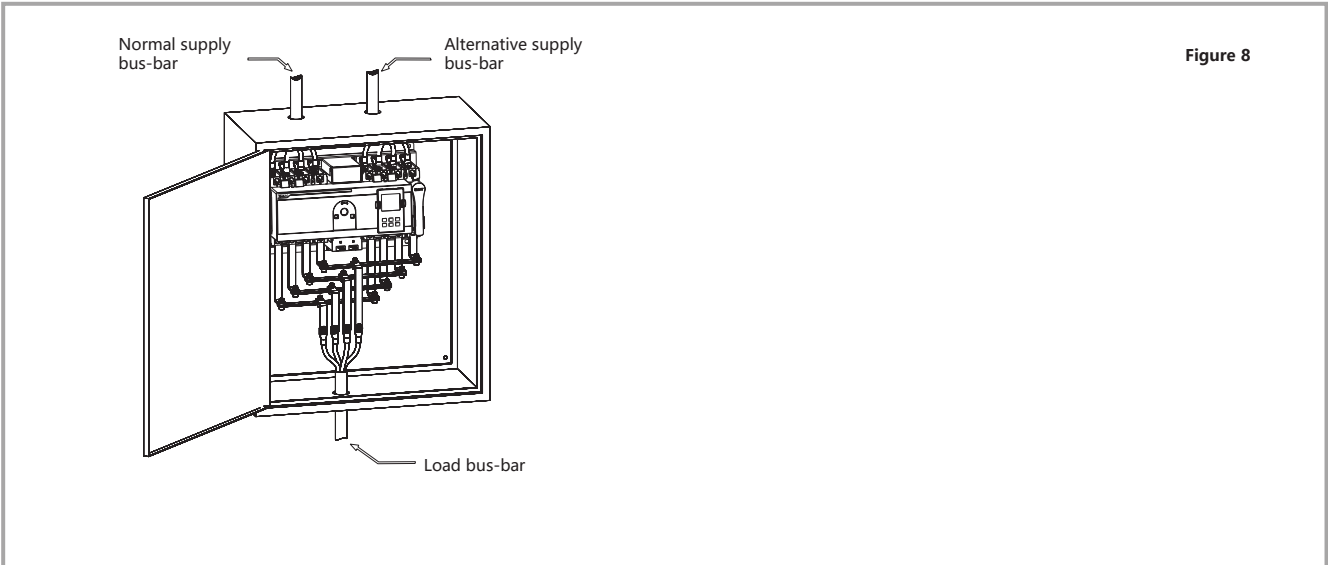
Signal and control terminal wiring



7. Mode of connection of the main part and controller

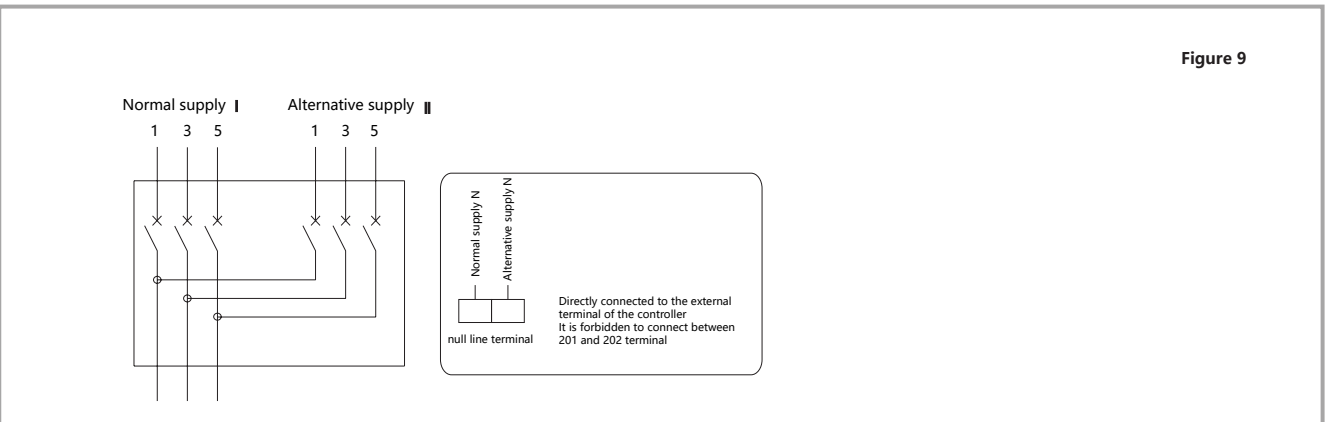
Mode of connection of NXZM and NXZHM

Product incoming line mode: incoming line at the top of product; outgoing line at the bottom of product
 Installation mode: vertically or horizontally

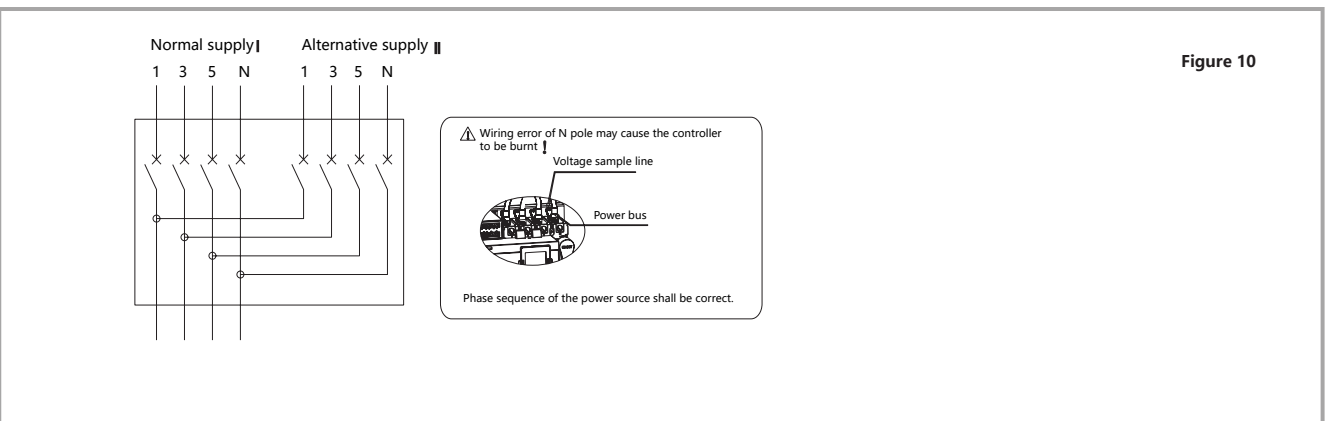


Product wiring

3P

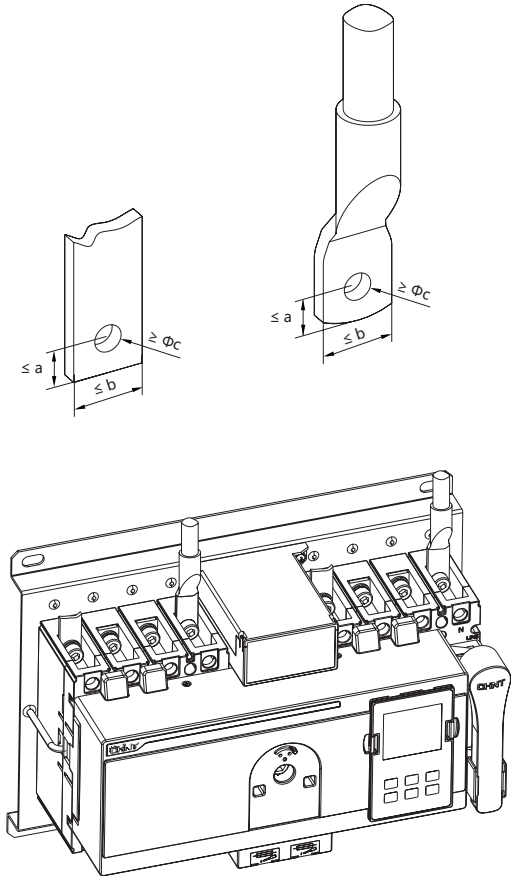


4P



Wire connection

Figure 11



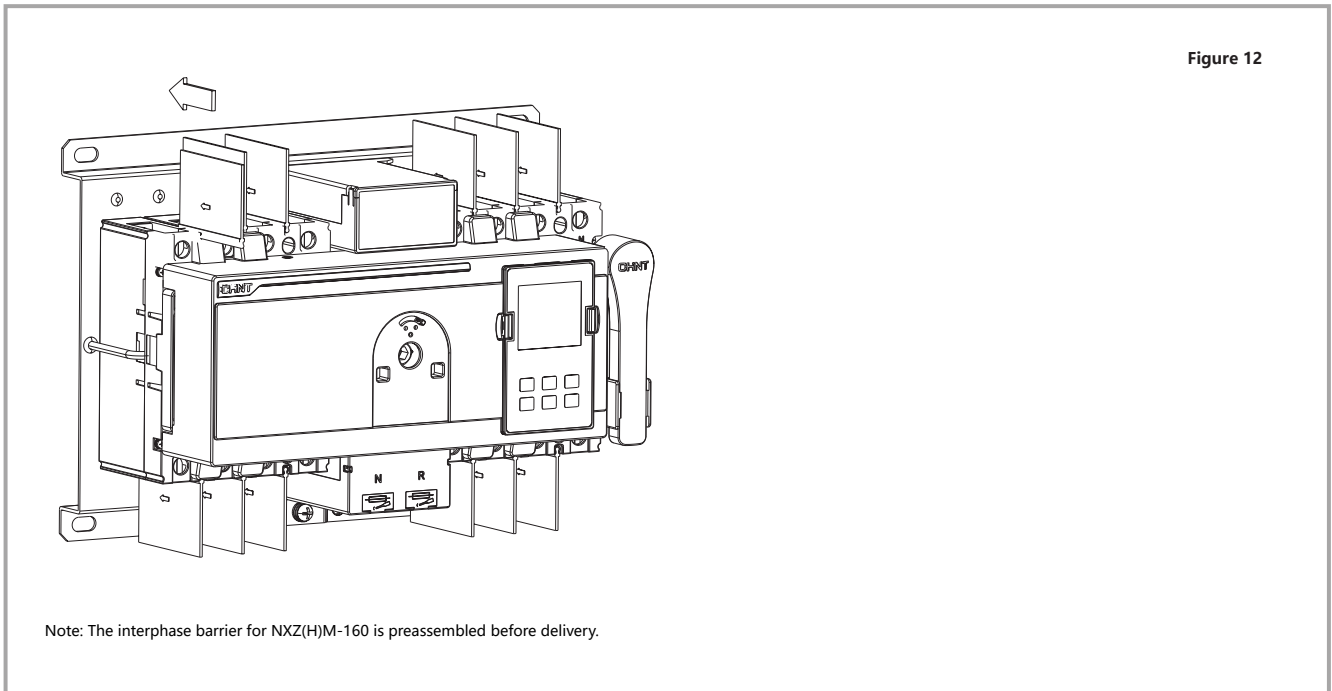
Unit: mm

Product wiring	a	b	c
MXZ(H)M-63, 125	6.5	14	5.5 ($\leq 63A$)
	7.5	17	6.5 ($> 63A$)
MXZ(H)M-160	7.5	14.5	8.5
MXZ(H)M-250, 320	10	23	8.5
MXZ(H)M-400, 630	10.5	30.5	10.5
MXZ(H)M-800	15	43	14

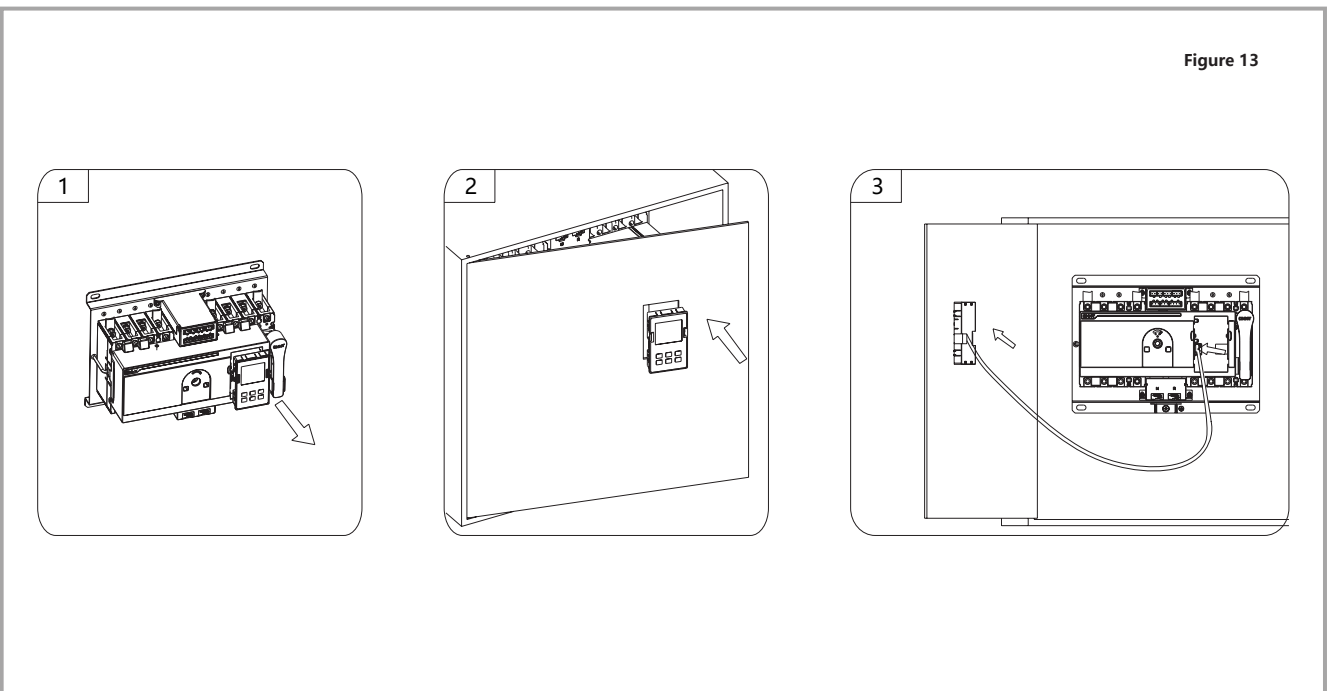


8. Mode of connection of the main part and controller

Installation of interphase barrier



Split type installation of the display module (cabinet door)



Signal and control terminal wiring

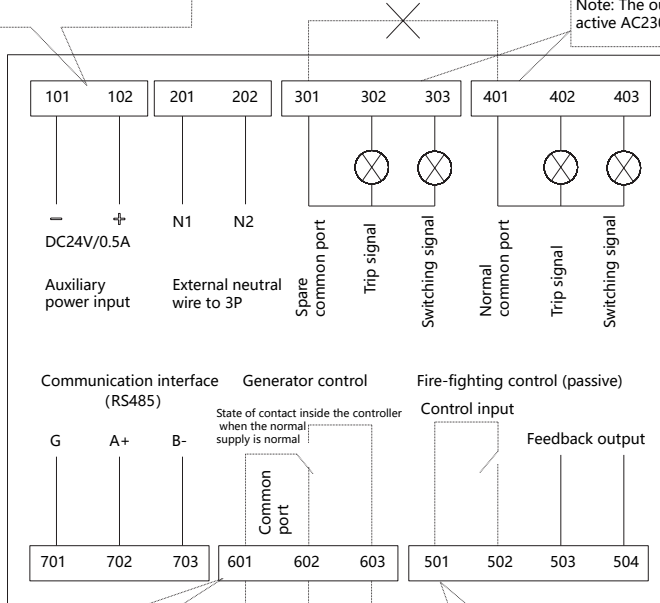
Figure 14

Only used in power grid-generator mode; If there is no connection, the generator startup delay automatically restores to 0s.



It is prohibited to connect between two pairs of terminals; otherwise, the controller will be burnt.

Note: The output is active AC230V/0.5A.



Only used in power grid-generator mode; connected with the generator based on required; when the normal supply is failure, 601 and 603 will be connected through.

connect to generator
The remote port



Terminals 501 and 502 can only be connected with passive signals; passive signals can be input after switchover by a relay. After fire-fighting is on off-position, terminals 503 and 504 will be connected.

For the automatic transfer switch under automatic operation state, after the fire-fighting signals are cancelled, the toggle switch shall be switched to "manual"; then press "confirm/return" to return to the normal state;
For the automatic transfer switch under the manual operation state, press "confirm/return" to return to the normal state.

Note: Type A controller has no fire-fighting feedback and generator control function.



9. Overall and installation dimension

Overall and installation dimension of NXZB and NXZHB

Overall and installation dimension
(the dimension of 3P product and 4P is the same)

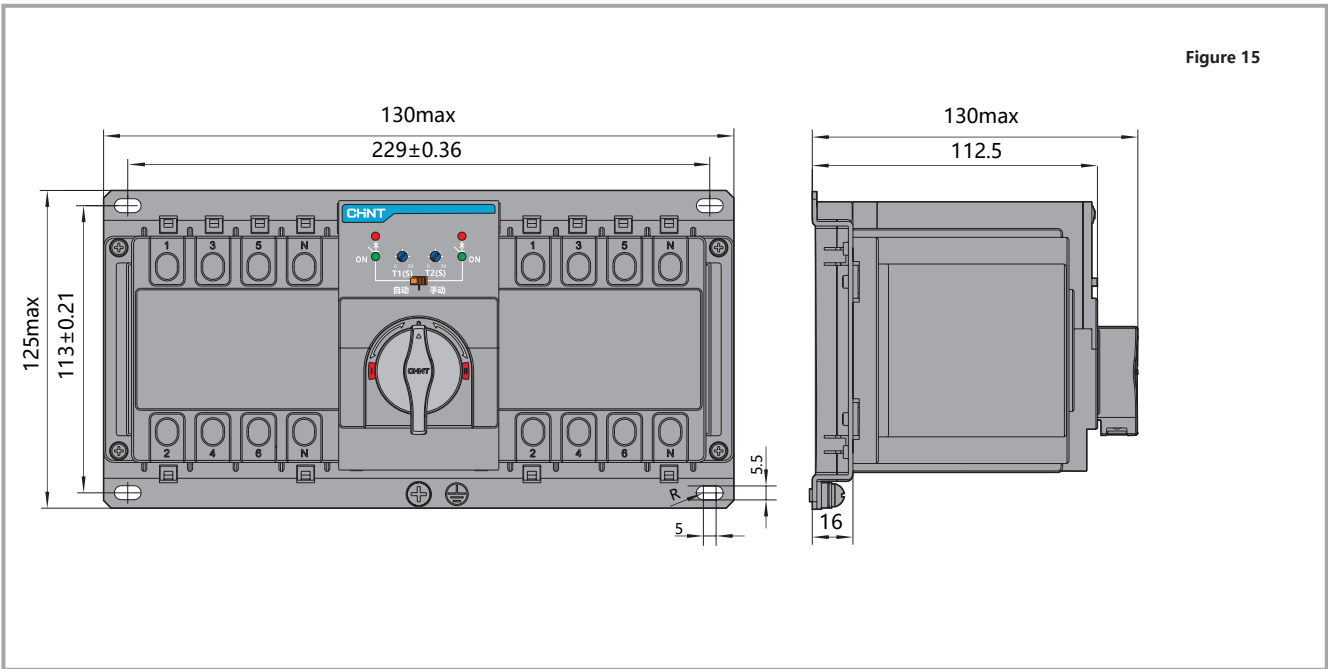


Figure 15

Overall and installation dimension of NXZM and NXZHM

Overall and installation dimension

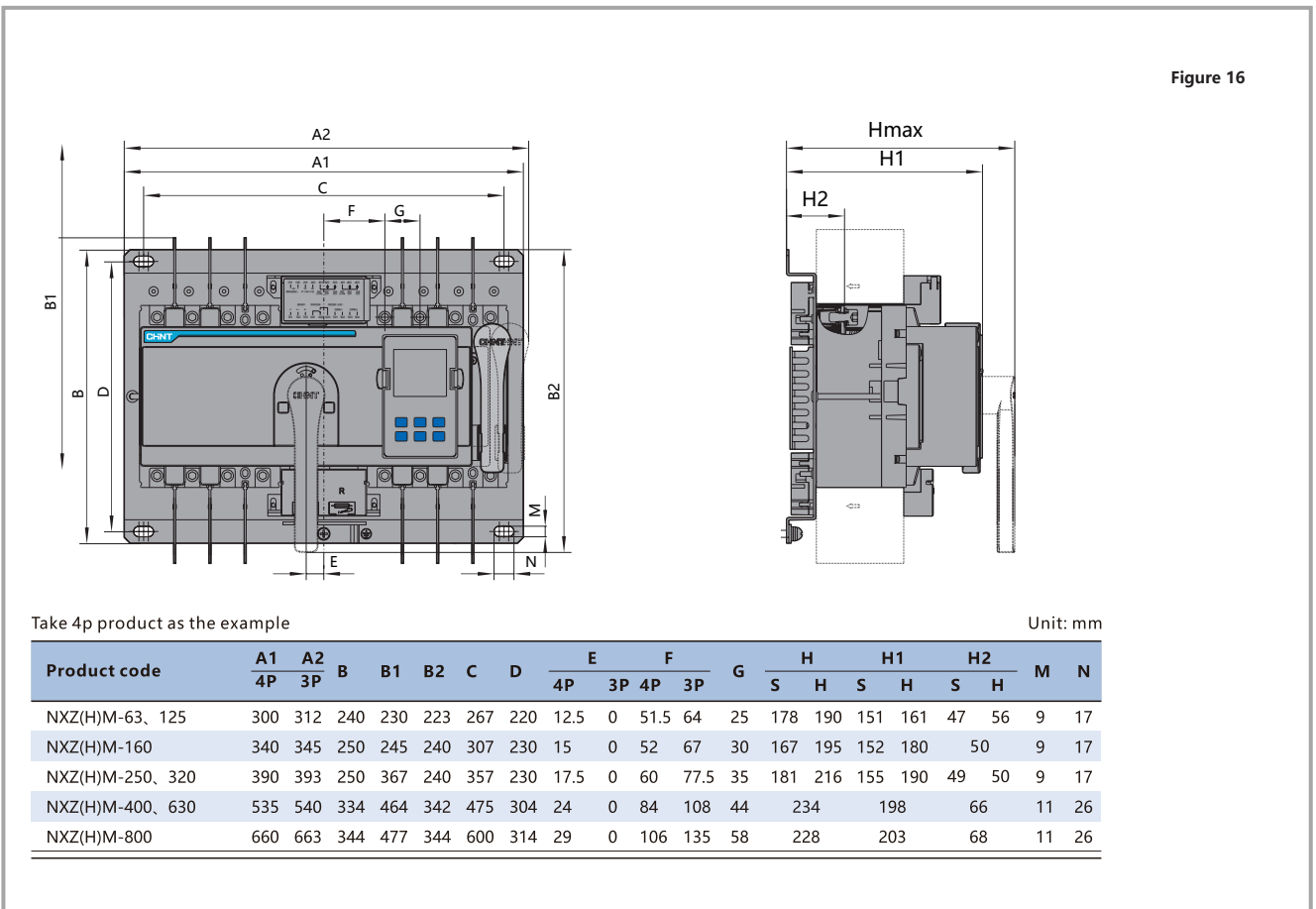


Figure 16

Take 4p product as the example

Unit: mm

Product code	A1	A2	B	B1	B2	C	D	E		F		G	H		H1		H2		M	N
	4P	3P						4P	3P	S	H		S	H	S	H				
NXZ(H)M-63, 125	300	312	240	230	223	267	220	12.5	0	51.5	64	25	178	190	151	161	47	56	9	17
NXZ(H)M-160	340	345	250	245	240	307	230	15	0	52	67	30	167	195	152	180	50		9	17
NXZ(H)M-250, 320	390	393	250	367	240	357	230	17.5	0	60	77.5	35	181	216	155	190	49	50	9	17
NXZ(H)M-400, 630	535	540	334	464	342	475	304	24	0	84	108	44	234		198		66		11	26
NXZ(H)M-800	660	663	344	477	344	600	314	29	0	106	135	58	228		203		68		11	26

Overall dimension of split type module (unit: mm)

