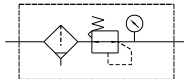


PFR100 Series

AIR UNITS (F.R.L.UNIT)



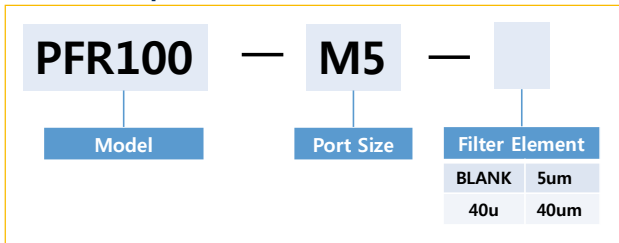
Symbol



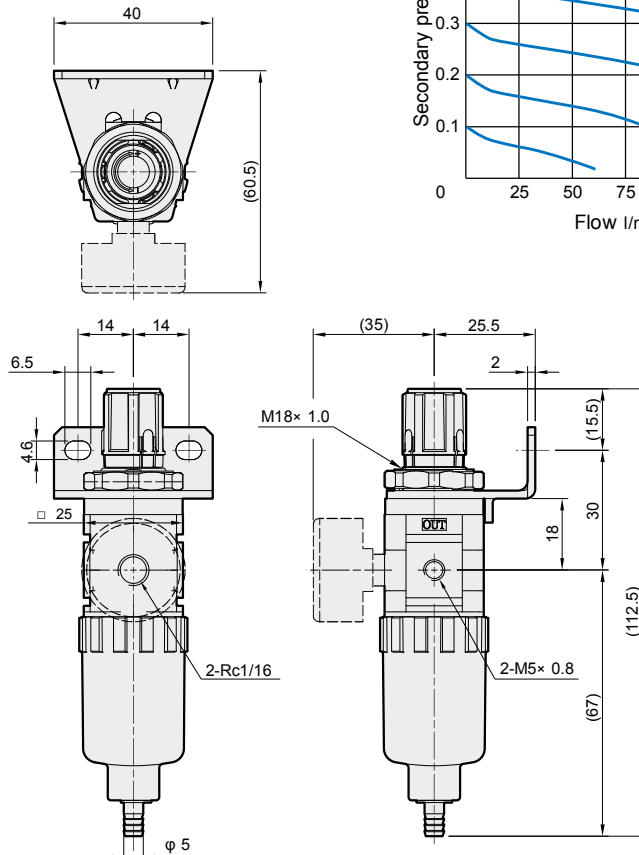
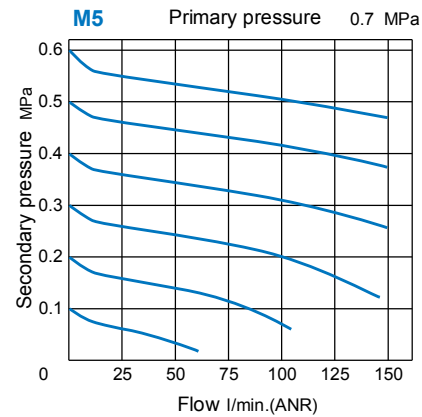
Specifications

Model	PFR100
Port size	M5 x 0.8
Medium	Air
Operating pressure range	0.05 ~ 1 MPa
Proof pressure	1.5 MPa
Regulated pressure range	0.05~0.7 MPa
Ambient temperature	-5 ~ +60°C (No freezing)
Filter element	Standard: 5µm Option: 40µm
Attachment	Pressure gauge(PG-25), Bracket
Weight	130 g

Order example



Flow feature

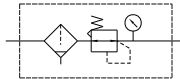


PFR200 Series

AIR UNITS (F.R.L.UNIT)



Symbol

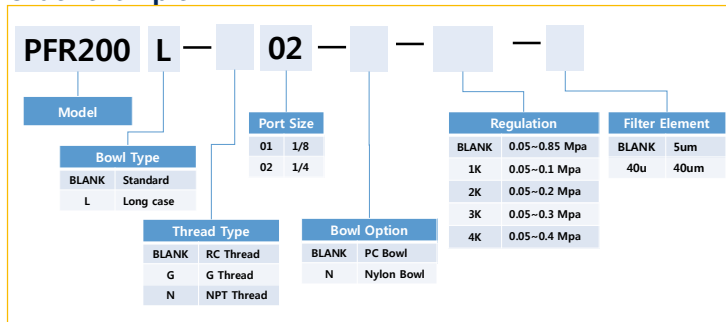


Specifications

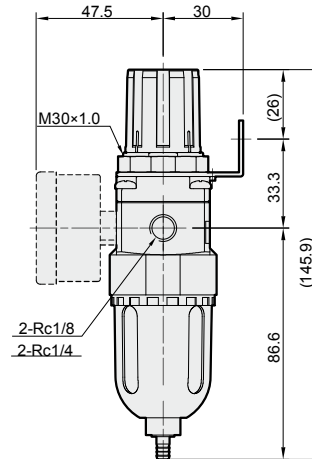
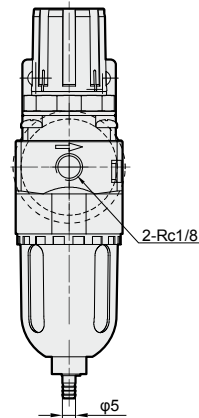
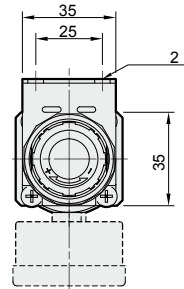
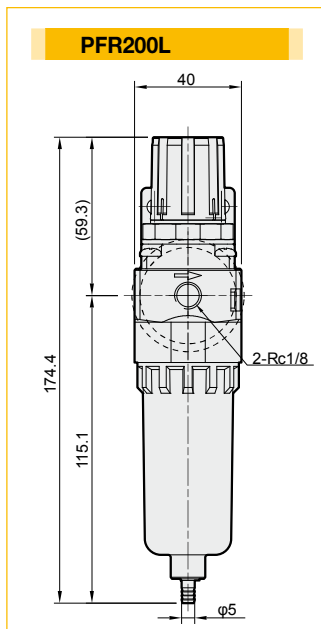
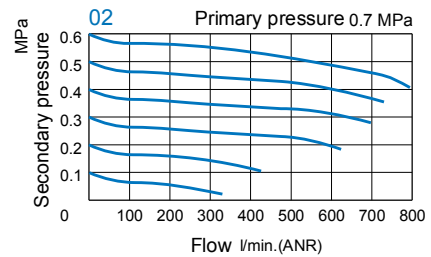
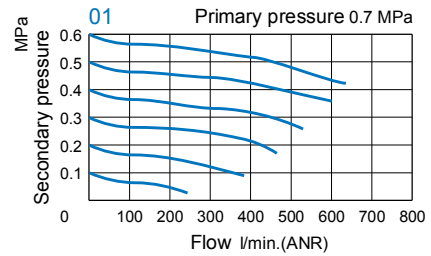
Model	PFR200	
Bore No.	01	02
Port size	1/8	1/4
Medium	Air	
Operating pressure range	By order specifications	
Proof pressure	1.5 MPa	
Regulated pressure range	0.05~0.85MPa	
Ambient temperature	-5 ~ +60°C (No freezing)	
Filter element	Standard: 5µm Option: 40µm	
Attachment	Pressure gauge (PG-40), bracket	
Weight	257g, 226g (PFR200L)	

※ Standard unit contains semi-auto-drain function when operating pressure below 0.05 MPa.

Order example



Flow feature

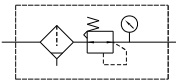


PFR302 Series

AIR UNITS (F.R.L.UNIT)



Symbol

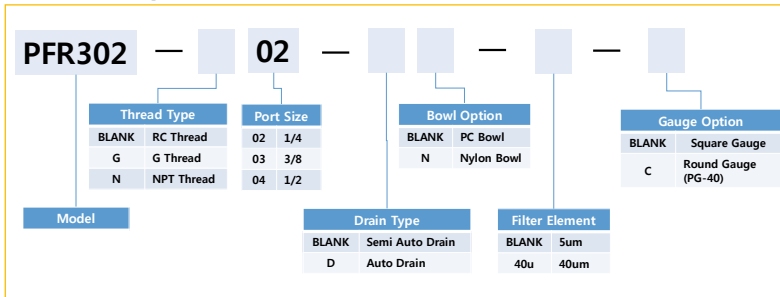


Specifications

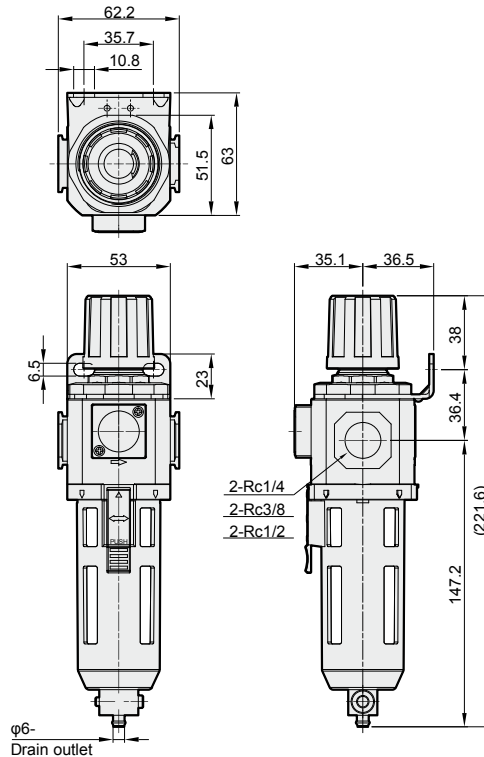
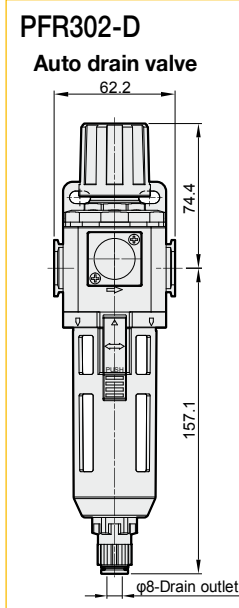
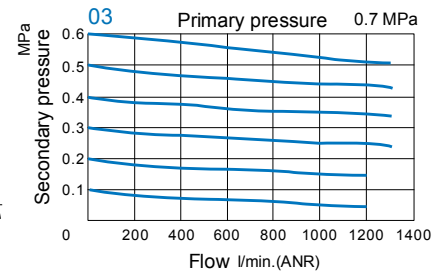
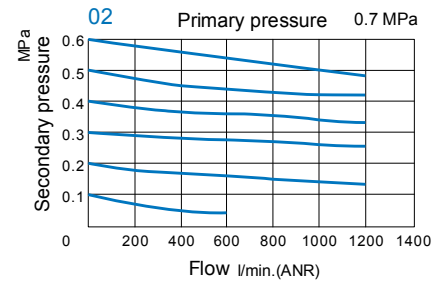
Model	PFR302		
Bore No.	02	03	04
Port size	1/4	3/8	1/2
Medium	Air		
Operating pressure range(※)	0.05~1 MPa		
Proof pressure	1.5 MPa		
Regulated pressure range	0.05~0.85 MPa		
Ambient temperature	-5 ~ +60°C (No freezing)		
Filter element	Standard: 5μm Option: 40μm		
Attachment	Pressure gauge (PG-40), bracket		
Weight	490 g		

- ※ 1. Standard unit contains semi-auto-drain function when operating pressure below 0.05 MPa.
- ※ 2. Choose auto-drain PMRF300, the pressure range is 0.15~1 MPa.

Order example



Flow feature

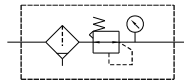


PFR403 Series

AIR UNITS (F.R.L.UNIT)



Symbol



Specifications

Model	PFR403		
Bore No.	02	03	04
Port size	1/4	3/8	1/2
Medium	Air		
Operating pressure range(※)	0.05~1 MPa		
Proof pressure	1.5 MPa		
Regulated pressure range	0.1~0.85 MPa		
Ambient temperature	-5 ~ +60°C (No freezing)		
Filter element	Standard: 5µm Option: 40µm		
Attachment	Pressure gauge(PG-20), L-type bracket		
Weight	620 g		

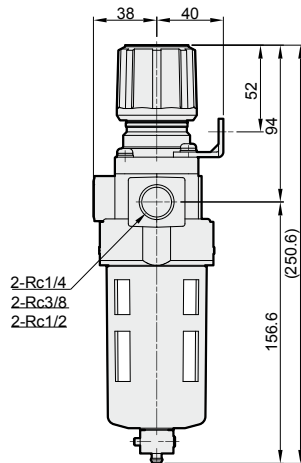
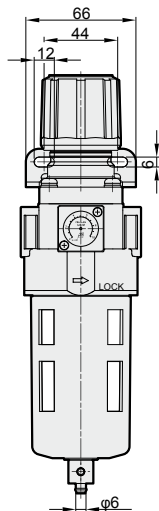
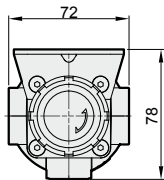
- ※ 1. Standard unit contains semi-auto-drain function when operating pressure below 0.05 MPa.
- ※ 2. Choose auto-drain PMRF300, the pressure range is 0.15~1 MPa.

Order example

PFR403 — **02** — — — —

Thread Type		Port Size		Bowl Option		Gauge Option	
BLANK	RC Thread	02	1/4	BLANK	PC Bowl	BLANK	Square Gauge
G	G Thread	03	3/8	N	Nylon Bowl	C	Round Gauge (PG-40)
N	NPT Thread	04	1/2				

Drain Type		Filter Element	
BLANK	Semi Auto Drain	BLANK	5µm
D	Auto Drain	40u	40µm



Flow feature

