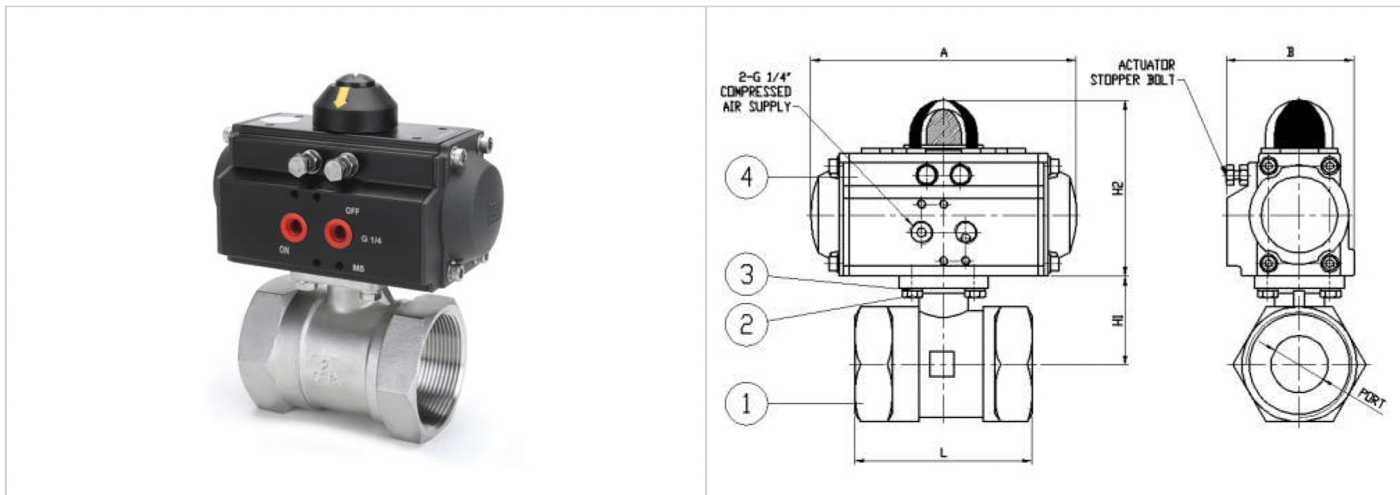


2WAY PNEUMATIC BALL VALVE (1 PIECE , SCREW TYPE)

HAD-101BV / 151BV / 201BV / 251BV / 321BV / 401BV / 501BV

APPLICATIONS

- Piping for water or steam, Industrial machinery piping, Sterilizers, Boilers, Air conditioners, Lubricators, Medical equipments, Vacuum packing, Automation equipment, Specially equipped Vehicles



DIMENSION

MODEL	MOUNTED ACTUATOR	VALVE SIZE	L	H1	H2	A	B	PORT
HAD-101BV	HAD-42	10A	55	25.5	75	115	57	9.2
HAD-151BV	HAD-42	15A	55	25.5	75	115	57	9.2
HAD-201BV	HAD-42	20A	60	32	75	115	57	12.5
HAD-251BV	HAD-42	25A	73	35	75	115	57	15
HAD-321BV	HAD-42	32A	78	38	75	115	57	20
HAD-401BV	HAD-50	40A	89	42	89	150	72	25
HAD-501BV	HAD-50	50A	100	50	89	150	72	32

MATERIAL

NO	DESIGNATION	MATERIAL	Qty
1	BALL VALVE	STS304 / STS316	1
2	BOLT	STS304	4
3	WASHER	STS304	4
4	ACTUATOR	-	1

SPECIFICATIONS TABLE

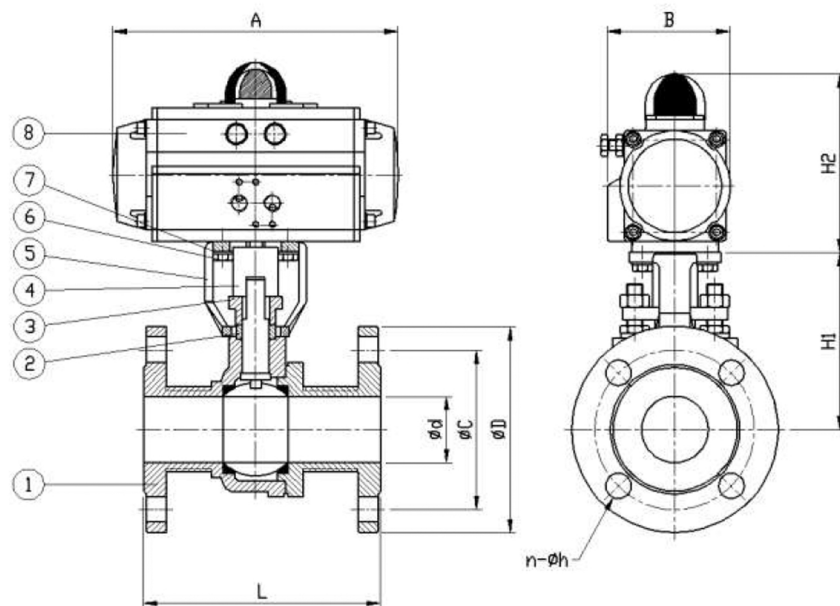
DIVISION	BASIC SPECIFICATION	OPTION
PORT SIZE	8A ~ 65A	
WORKING PRESSURE	KS 1.0 MPa	KS 2.0 MPa
CONNECTION WAY	PT SCREW	-
BODY MATERIAL	SUS 304	SUS316(L), PVC
SEAT MATERIAL	PTFE	CARBON / RTFE
FLUID TEMPERATURE	0°C ~ 100°C	140°C
ACTUATOR	DOUBLE ACTING	SINGLE ACTING
ADDITIONAL OPTIONS	SOLENOID V/V, LIMIT S/W BOX, SILENCER, FILTER+REGULATOR, SPEED CONTROL	

* Specification of the products are subject to change without prior notice for quality improvement.

HAD-15BV / 20BV / 25BV / 32BV / 40BV / 50BV / 65BV / 80BV / 100BV / 125BV / 150BV

APPLICATIONS

- Piping for water or steam, Industrial machinery piping, Sterilizers, Boilers, Air conditioners, Lubricators, Medical equipments, Vacuum packing, Automation equipment, Specially equipped Vehicles



DIMENSION

MODEL	MOUNTED ACTUATOR	VALVE SIZE	L	H1	H2	A	B	ØC	ØD	Ød	n-Øh
HAD-15BV	HAD-50	15A	108	100	89	155	70	70	95	15	4-15
HAD-20BV	HAD-50	20A	117	102	89	155	70	75	100	20	4-15
HAD-25BV	HAD-50	25A	127	110	89	155	70	90	125	25	4-19
HAD-32BV	HAD-63	32A	140	114	105	168	83	100	135	32	4-19
HAD-40BV	HAD-63	40A	165	132.5	105	168	83	105	140	40	4-19
HAD-50BV	HAD-75	50A	178	139.5	123	219	96	120	155	50	4-19
HAD-65BV	HAD-75	65A	190	155	123	219	96	140	175	65	4-19
HAD-80BV	HAD-90	80A	203	189	135	249	106	150	185	80	8-19
HAD-100BV	HAD-100	100A	229	209	148	274	122	175	210	100	8-19
HAD-125BV	HAD-125	125A	356	243	187	355	133	210	250	125	8-23
HAD-150BV	HAD-145	150A	394	265	206	417	170	240	280	150	8-23

MATERIAL

NO	DESIGNATION	MATERIAL	Qty
1	BALL VALVE	STS304/STS316/GC/GCD	1
2	PACKING	PTFE	1
3	GLAND	STS304	1
4	JOINT	STS304	1
5	BRACKET	STS304	1
6	BOLT	STS304	4
7	WASHER	STS304	4
8	ACTUATOR	-	1

SPECIFICATIONS TABLE

DIVISION	BASIC SPECIFICATION	OPTION
PORT SIZE	15A ~ 200A	
WORKING PRESSURE	KS 1.0 MPa	KS 2.0 MPa ANSI #150, #300
CONNECTION WAY	R,F FLANGE TYPE	
BODY MATERIAL	SUS 304	SUS316(L), SCPH2, GCD, GC
SEAT MATERIAL	PTFE	CARBON / RTFE
FLUID TEMPERATURE	0°C ~ 100°C	140°C / 180°C
ACTUATOR	DOUBLE ACTING	SINGLE ACTING
ADDITIONAL OPTIONS	SOLENOID V/V, LIMIT S/W BOX, SILENCER, FILTER+REGULATOR, SPEED CONTROL	

*Specification of the products are subject to change without prior notice for quality improvement.

 ISO 9001 : 2008
 ISO 14001 : 2004

 INNOBIZ
 기술혁신영웅기업