

GAS FILTER

HGF 2115 / 2120 / 2125 / 2140 / 2150

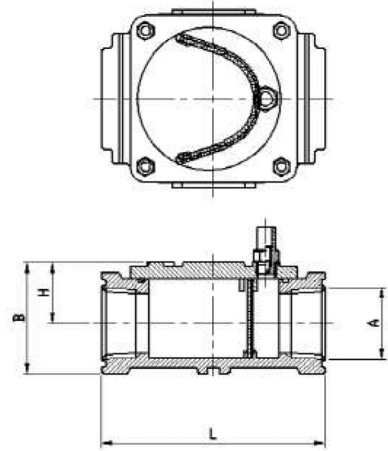
HGF 2150F / 2165F / 2180F / 21100F / 21150F



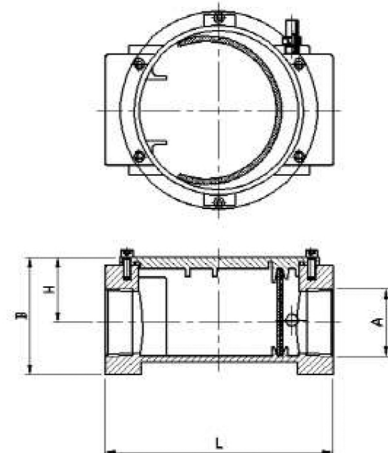
According to Pressure Equipment Directive 97/23/EC

Rating : Class I , 1000mbar, -20~60°C

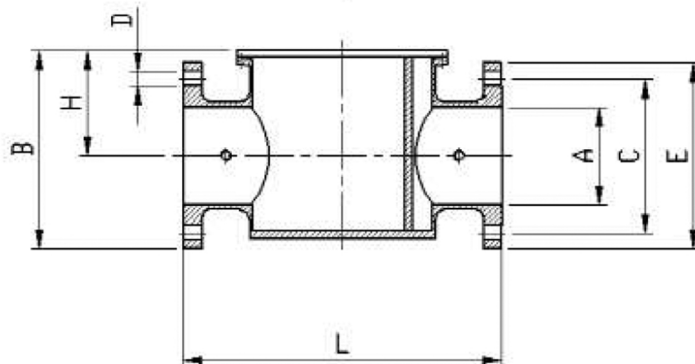
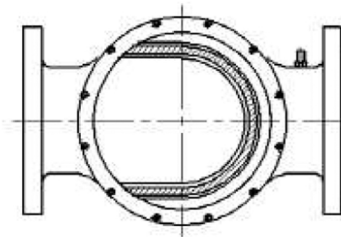
HGF 2115 / 2120 / 2125



HGF 2140 / 2150



HGF 2150F / 2165F / 2180F / 21100F



DIMENSION & TECHNICAL SPECIFICATION

MODEL	A	B	C	D	E	H	L	Weight (Kg)
HGF 2115 (15A)	Rp 1/2"	65	-	-	-	40	110	0.65
HGF 2120 (20A)	Rp 3/4"	65	-	-	-	40	110	0.62
HGF 2125 (25A)	Rp 1"	75	-	-	-	40	110	0.63
HGF 2140 (40A)	Rp 1" 1/2	83	-	-	-	46	160	1.24
HGF 2150 (50A)	Rp 2"	83	-	-	-	43	160	1.31
HGF 2150F (50A)	DN 50	83	125	17	160	70	215	3.47
HGF 2165F (65A)	DN 65	152	160	17	194	56	312	5.29
HGF 2180F (80A)	DN 80	152	160	17	194	56	312	6.06
HGF 21100F (100A)	DN 100	192	180	18	216	85	316	8.81
HGF 21150F (150A)	DN 150	304	240	22	287	160	491	19.86

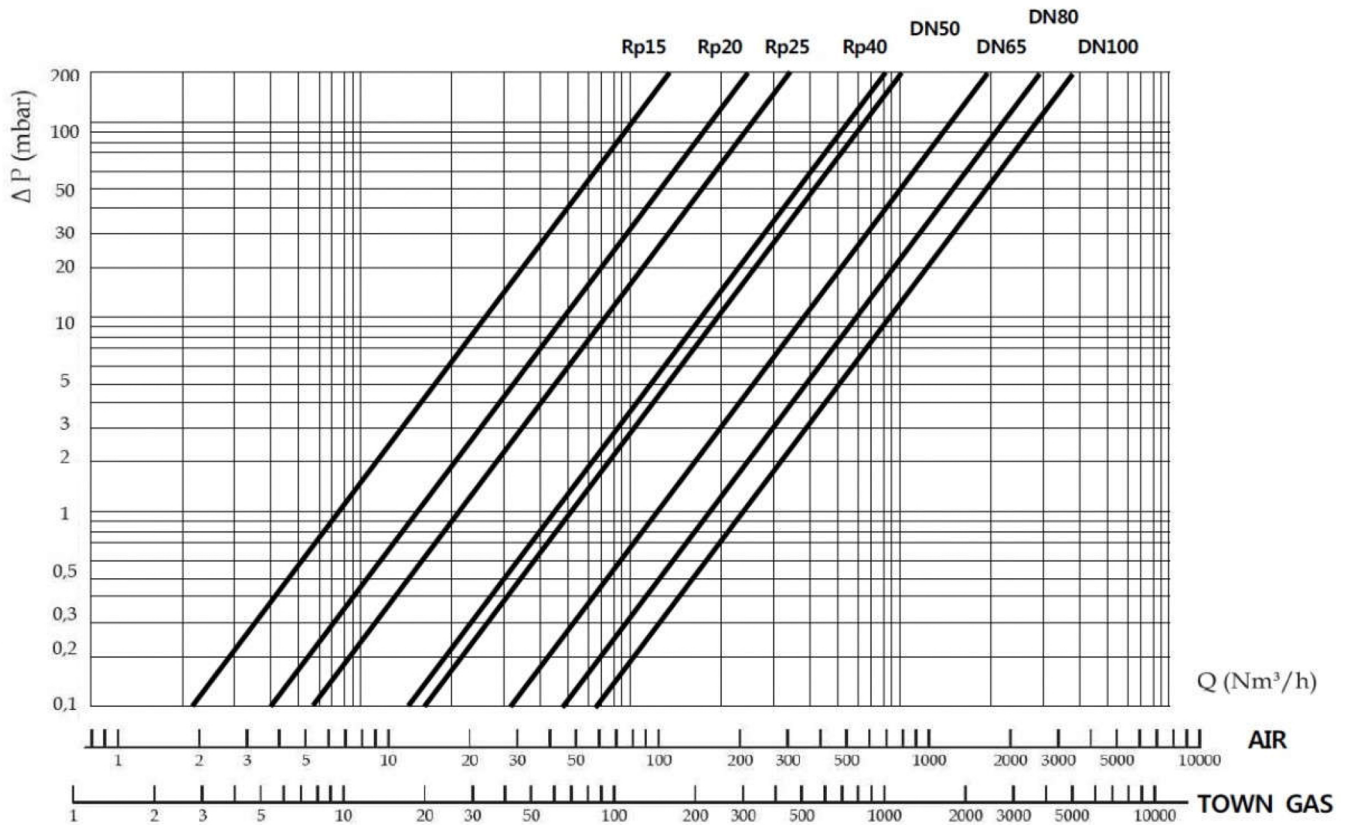
GENERAL SPECIFICATION

Working gas	LNG(Town gas), LPG, Air, Flue gas, Non-aggressive gas
Ambient temperature	-20 ~ 60 °C
Maximum inlet pressure	6 bar
Testing Max. pressure	25 bar
Filtering	≤ 50um

MATERIALS

Housing base	Aluminium diecast
Seals	NBR
Filter pad	Nonwoven polypropylene fabric & Aluminium mesh Nonwoven polypropylene fabric & PVC Cartridge

PRESSURE DROPS DIAGRAM – HGF series

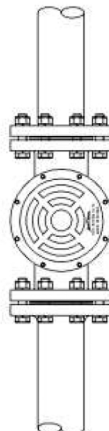


■ EXCHANGE FILTER CARTRIDGE

- In order to maintain the capacity of the filter, filter cartridge must be replaced once the at least one year.
- Even if not a year, if pressure difference between the two sides of the filter increased more than 50% depending on the fluid, it must be replaced.

■ INSTALLATION

- Filters should be installed in vertical or horizontal piping.
- The housing cover should be detachable at the side so that no dirt gets into the housing during maintenance.



■ ATTENTION

All installation/maintenance work must be carried out by skilled staff. Always check that the system is gas-tight after installation. Failure to follow this manual can result in dangerous situations or damage to the product.

■ INSTALLATION

1. Warning

- The gas supply must be shut off before installation.
- Do not remove the plugs before installation.
- During installation take care not to allow debris or scraps of metal to enter the device.
- The arrow on filter housing must be matched to gas flow direction.

2. Installation Location

- Installs in a position to remove the lid for Inspection, cleaning or change filtering net.
- It should be installed at least 30mm away from hot objects or wall.

3. Threaded connections

- overlong threads may damage the body of the device when screwed into place.

4. Flanged connections

- The inlet and outlet counter flanges are perfectly parallel to avoid unnecessary mechanical stresses on the body of the device.
- Also calculate the space needed to fit the seal. After placing a gasket between the filter and the flange, fix the filter. It can fill some lubricant (Grease), if necessary.

■ MAINTENANCE

- If pressure difference has increased by 50% compared to new filtering net.

Please replace it with a filtering net at least once a year.

■ EXCHANGE FILTER CARTRIDGE

1. The gas supply must be shut off before installation.
2. Make sure that there is no pressurised gas inside the device before remove cover.
3. Unscrew the fixing screws and disassemble the filtering net.
4. Re-assemble filtering net in the original position checking that it is properly positioned in the guides and check that it does not prevent assembly of the cover.
5. After installation, perform leak test. (Soapy water test)

■ Standards and specifications of this product are subject to change without prior notice for improved performance.

