

2WAY SOLENOID VALVE FOR WATER (Normally Closed type, Pilot Kick Control)

HPW 2120 / 2130 / 2140 / 2150 / 2160

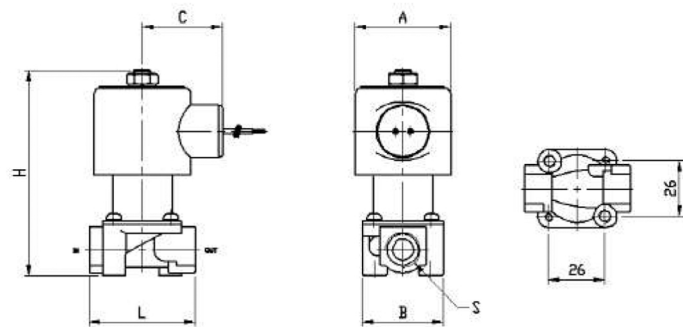
FEATURES

- Since diaphragm and plunger are linked with each other mechanically,
the machine can work at differential pressure "0", not depending on any pressure.

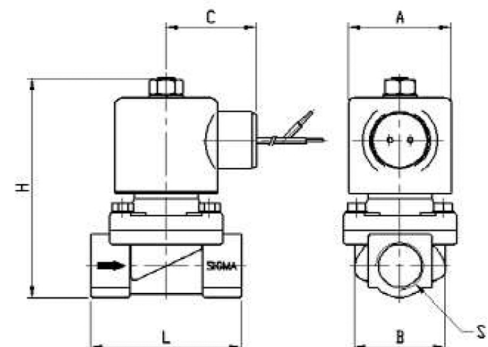
APPLICATIONS

- Water distribution piping, Air distribution piping,
Water filters, Welders, Medical equipment, Packing machine etc.

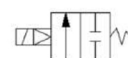
HPW 2120 / 2130



HPW 2140 / 2150 / 2160



SYMBOL



DIMENSION

MODEL	L	H	A	B	C	CONNECTION	WEIGHT
HPW 2120 (8A)	50	97	45	38	40	Rc 1/4"	481g
HPW 2130 (10A)	50	97	45	38	40	Rc 3/8"	466g
HPW 2140 (15A)	66	94	45	50	40	Rc 1/2"	685g
HPW 2150 (20A)	85	100	45	63	40	Rc 3/4"	930g
HPW 2160 (25A)	93	112	45	73	40	Rc 1"	1,233g

SPECIFICATION

WORKING FLUID	AIR, WATER, OIL	THE LENGTH OF LEAD WIRE	260mm
OPERATING PRESSURE	0.03 ~ 1.0 MPa	FLUID TEMPERATURE	0 ~ 60℃
VOLTAGE	AC220V, AC110V DC24V, DC12V	BODY MATERIAL	BRASS
POWER CONSUMPTION	AC220V : 19VA DC24V : 14W	SEAT MATERIAL	NBR
COIL INSULATION	CLASS F	OPTION	SEAT : EPDM, CR, FKM CONNECTION : PF, NPT COIL : DIN Connector type

* Specification of the products are subject to change without prior notice for quality improvement.

HPW 2170 / 2180 / 2190 / 165

HPW 2150F / 2160F / 2170F / 2180F / 2190F / 165F

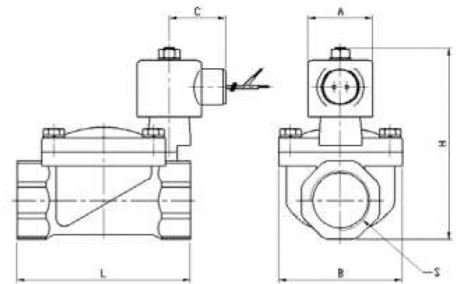
FEATURES

- Maximized amount of fluid to the diaphragm mode.
- Convenient maintenance due to fewer parts.
- The waving type coils can be freely to the wiring direction.

APPLICATIONS

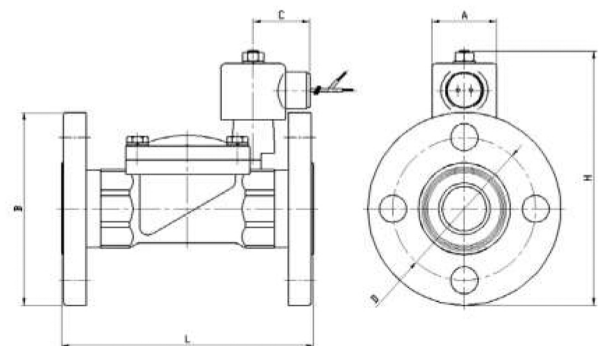
- Water distributed pipes, Industrial cleaning machines, Compressors, Heavy chemical equipments, Heaters, Air ventilation systems, Medical equipments, Boilers, etc.

HPW 2170 / 2180 / 2190 / 165

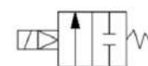


HPW 2150F / 2160 F / 2170F /
2180F / 2190F / 165F

ROTARY FLANGE PATENTED PRODUCT



SYMBOL



DIMENSION

MODEL	L	H	A	B	C	D	CONNECTION	WEIGHT
HPW 2170 (32A)	120	138	45	88	40	-	Rc 1"1/4	2,575g
HPW 2180 (40A)	120	138	45	88	40	-	Rc 1"1/2	2,427g
HPW 2190 (50A)	140	154	45	100	40	-	Rc 2"	3,210g
HPW 165 (65A)	178	163	45	116	40	-	Rc 2"1/2	3,890g
HPW 2150F (20A)	134	137	45	100	40	75	KS 10K RF 20A	2,630g
HPW 2160F (25A)	147	153	45	125	40	90	KS 10K RF 25A	3,933g
HPW 2170F (32A)	175	182	45	135	40	100	KS 10K RF 32A	6,010g
HPW 2180F (40A)	175	187	45	140	40	105	KS 10K RF 40A	6,100g
HPW 2190F (50A)	195	195	45	155	40	120	KS 10K RF 50A	7,870g
HPW 165F (65A)	210	208	45	175	40	140	KS 10K RF 65A	8,550g

STANDARD SPECIFICATION

WORKING FLUID	AIR, WATER, OIL	THE LENGTH OF LEAD WIRE	260mm
OPERATING PRESSURE	0.03 ~ 1.0 MPa	FLUID TEMPERATURE	0 ~ 60℃
VOLTAGE	AC220V, AC110V DC24V, DC12V	BODY MATERIAL	BRASS
POWER CONSUMPTION	AC220V : 19VA DC24V : 14W	SEAT MATERIAL	NBR
COIL INSULATION	CLASS F	OPTION	SEAT : EPDM, CR, FKM CONNECTION : PF, NPT COIL : DIN Connector type

* Specification of the products are subject to change without prior notice for quality improvement.

