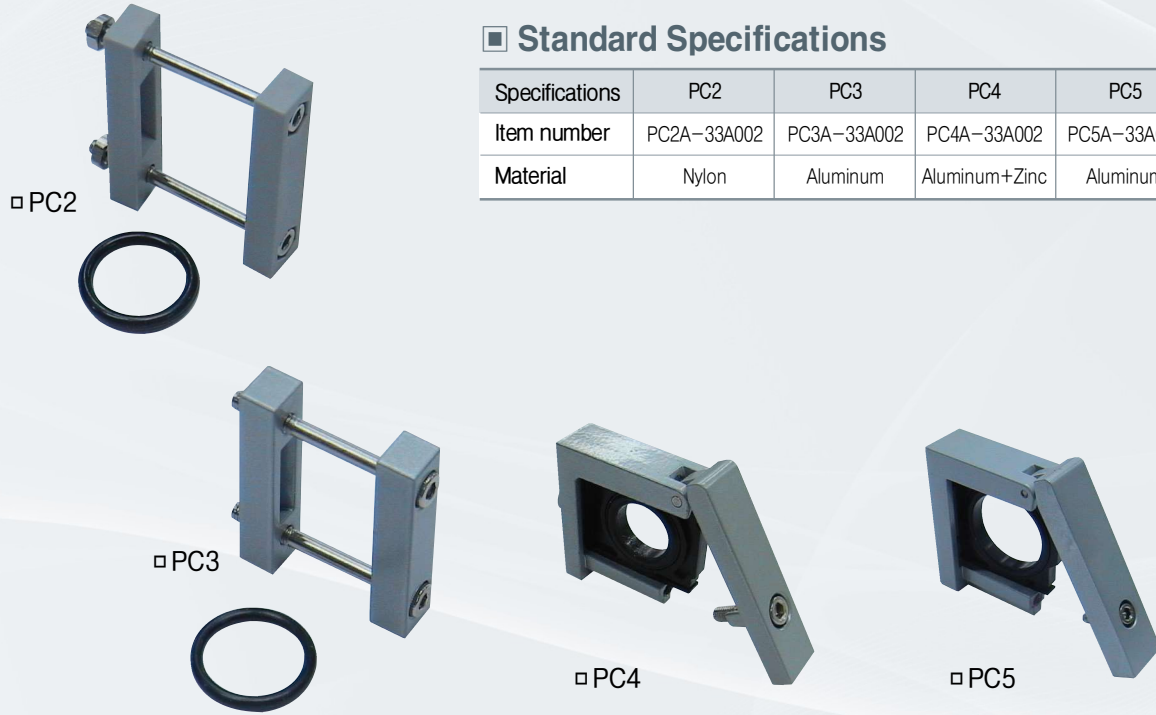


# Accessories

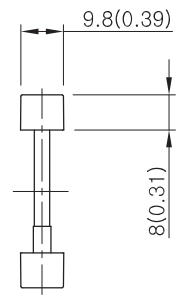
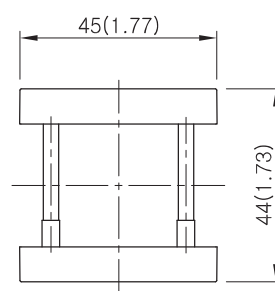
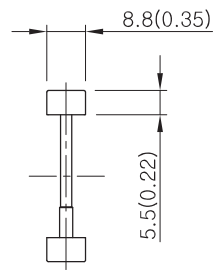
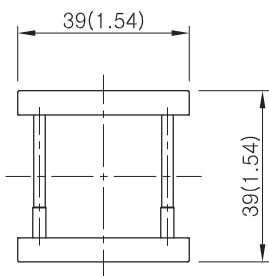
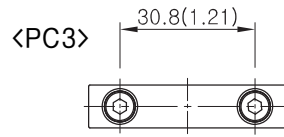
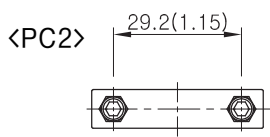
## Modular Clamp Spacer kit

### Standard Specifications

Specifications	PC2	PC3	PC4	PC5
Item number	PC2A-33A002	PC3A-33A002	PC4A-33A002	PC5A-33A002
Material	Nylon	Aluminum	Aluminum+Zinc	Aluminum



### Dimensions

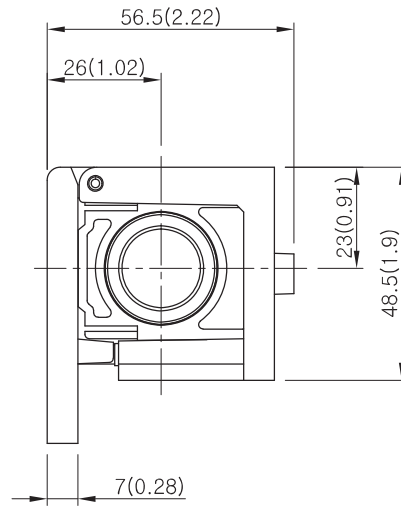
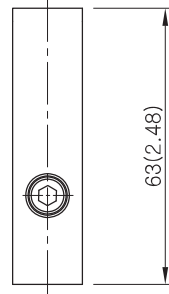


▣ **Dimensions**

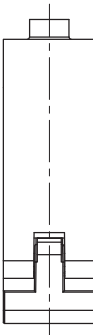
<PC4>



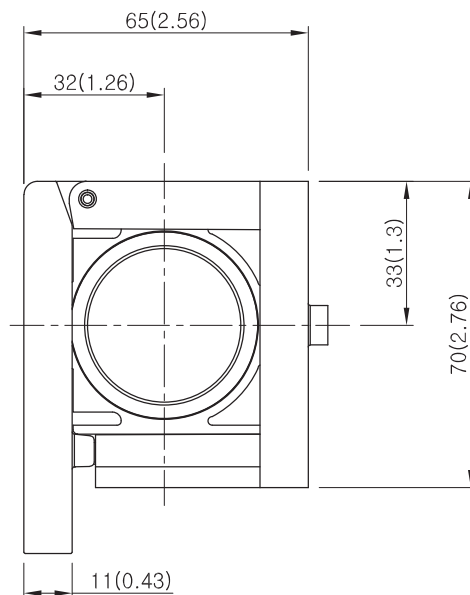
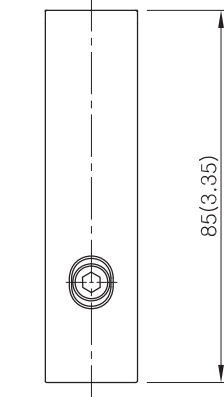
6(0.63)



<PC5>



21(0.83)

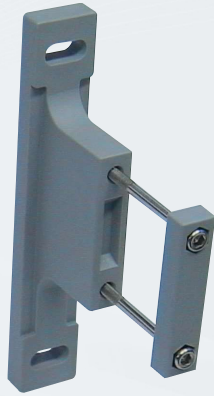


# Accessories

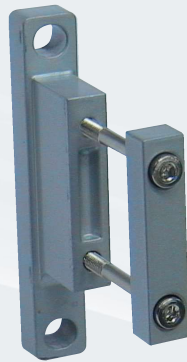
## T-Bracket assembly

### Standard Specifications

Specifications	PC2	PC3	PC4	PC5
Item number	PC2A-33A002	PC3A-33A002	PC4A-33A002	PC5A-33A002
Material	Nylon	Aluminum	Aluminum+Zinc	Aluminum



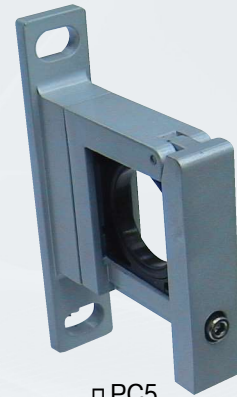
□ PC2



□ PC3



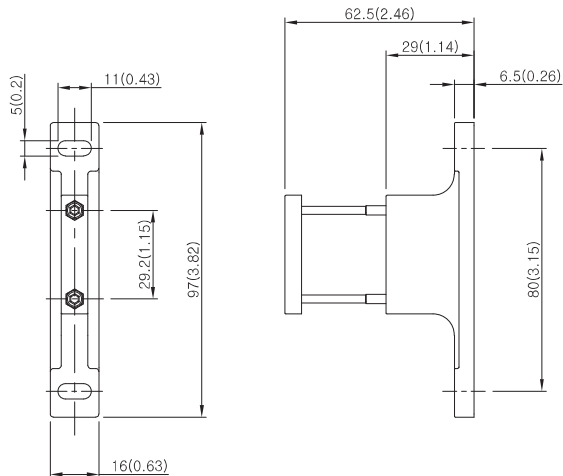
□ PC4



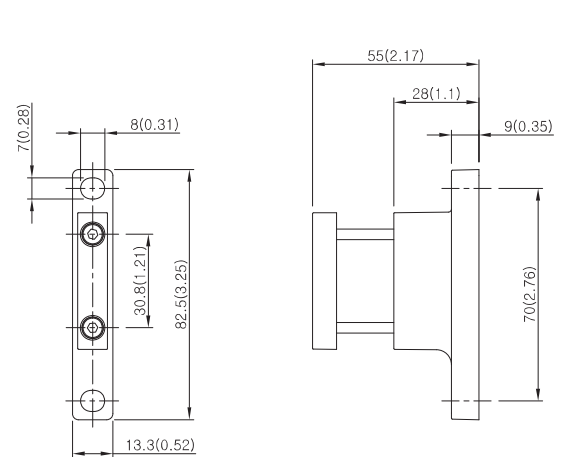
□ PC5

### Dimensions

<PC2>

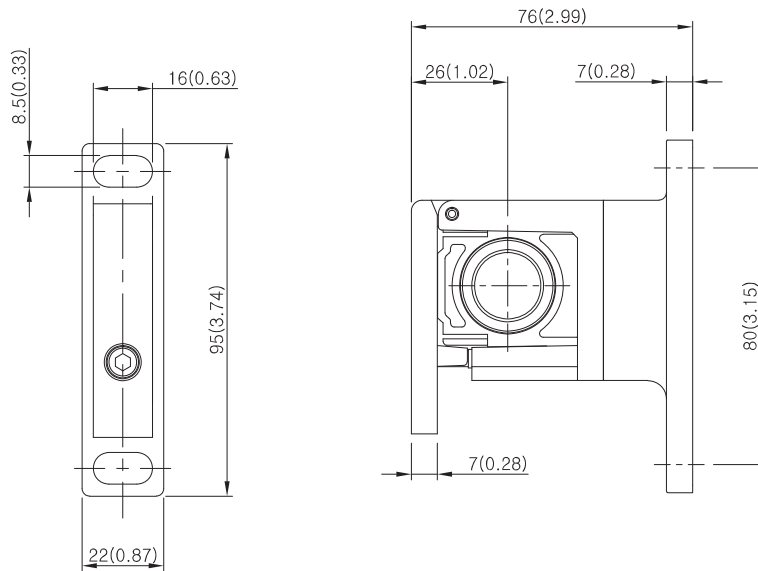


<PC3>

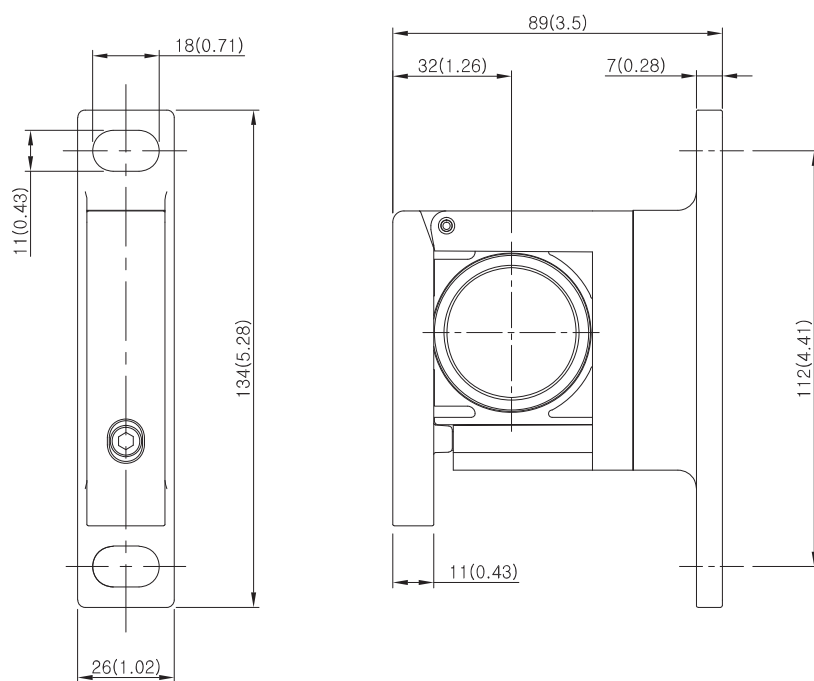


■ **Dimensions**

<PC4>



<PC5>



# Accessories

## L-Bracket unit



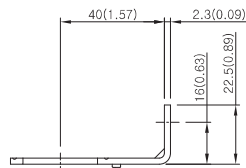
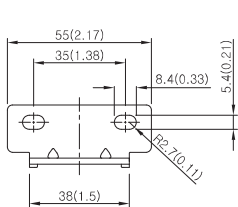
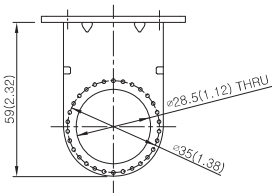
### Standard Specifications

Specifications	PC2	PC3	PC4	PC5
Item number	PR2-33-001-01	PR3-33-001-01	PR4-33-001-01	PR5-33-001-01
Material	Rolled steel	Rolled steel	Rolled steel	Rolled steel

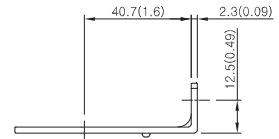
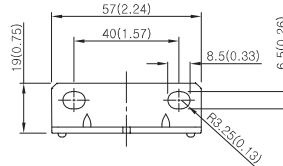
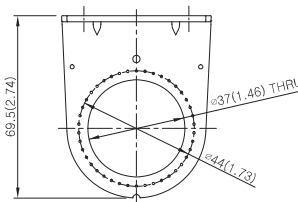


### Dimensions

<PC2>

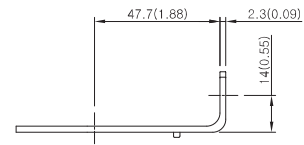
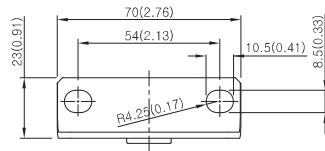
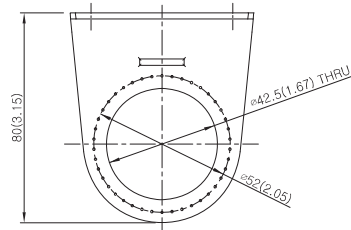


<PC3>

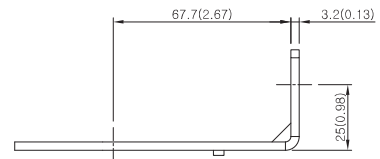
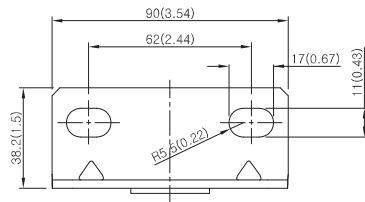
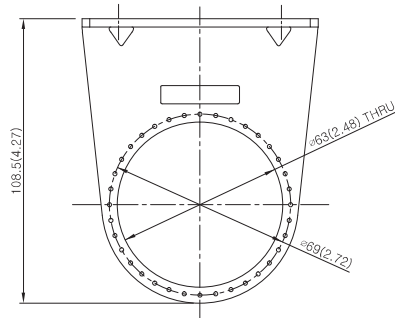


■ **Dimensions**

<PC4>



<PC5>



# Accessories

## C-Bracket unit



□ PC2



□ PC3



□ PC4



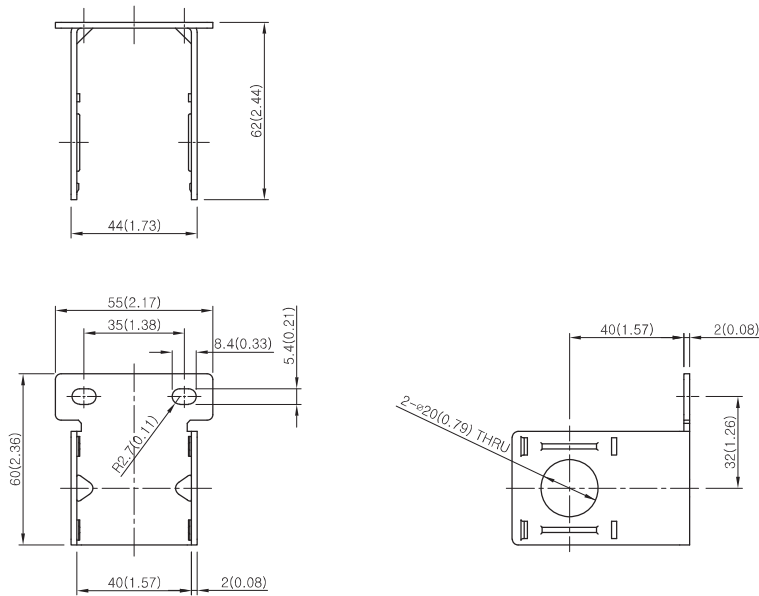
□ PC5

### Standard Specifications

Specifications	PC2	PC3	PC4	PC5
Item number	PF2-33-001-01	PF3-33-001-01	PF4-33-001-01	PF5-33-001-01
Material	Rolled steel	Rolled steel	Rolled steel	Rolled steel

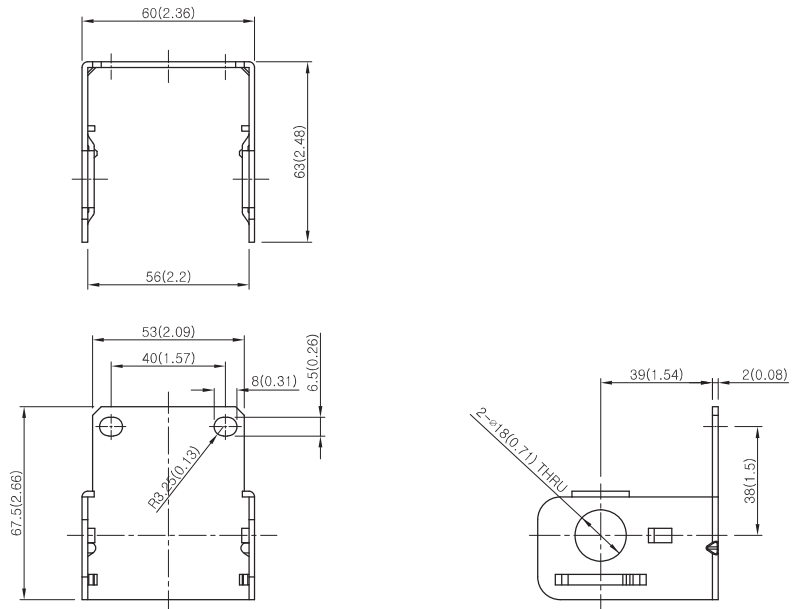
### Dimensions

<PC2>

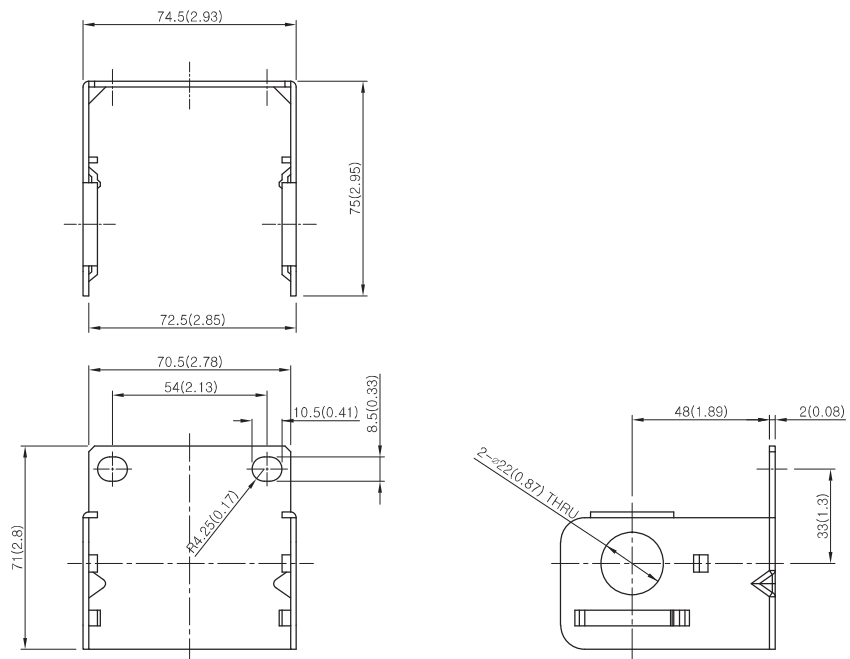


■ **Dimensions**

<PC3>



<PC4>



C-Bracket unit



# Accessories

## C-Bracket unit

### ▣ Dimensions

<PC5>

