

Sunshade

Model : A090

Spec. sheet no. AD00-10

Service intended

Sunshade provides the protection for instruments. It prevents the instrument calibration drift due to temperature changes caused by solar radiation. It can be mounted on a typical 2 inch stanchion pipe and it can be removed easily for full instrument access.

Application

Simple shielding of enclosures, instruments and fittings providing protection against

- Sun light
- Dirt accumulation
- Exposure to atmospheric conditions

Features

- Reduces the surface temperature of instruments or enclosure
- Minimizes instrument drift
- Operating temperature: -15~100 °C
- UV coating



Standard features

Type of sunshade (W x D x H)mm

- SS230 (230 x 370 x 125)
- SS280 (280 x 350 x 125)
- SS300 (300 x 350 x 170)
- SS400 (400 x 400 x 170)
- SS410 (410 x 350 x 170)

Main material

- Sunshade
 - GRP (Glass reinforced plastic), 3.5 t
 - 304SS, 1.5 t
 - 316SS, 1.5 t
 - Carbon steel, 1.5 t
 - ABS, Roof and side (3 t)
 - Rear wall (5 t)
- Bracket
 - 304SS, 316SS and 316L SS

Mounting accessories

- Gauge bracket
- 2" U bolt
- Pipe band
- Stanchion pipe
- Special support plate

Bracket mounting position

- Back mounting
- Top mounting
- 2" U bolt mounting
- Pipe band mounting
- L-type mounting
- Special mounting

Option

- Anti electrostatic

Main order

Ordering information

1. Base model

A090 Sunshade

2. Sunshade type (W x D x H) mm

SS230 230 x 370 x 125

SS280 280 x 350 x 125

SS300 300 x 350 x 170

SS400 400 x 400 x 170

SS410 410 x 350 x 170

SS000 Other

3. Sunshade material

1 GRP

3 304SS

4 316SS

5 Carbon steel

6 ABS, only available with SS280

Z Other

4. Gauge bracket size (mmØ)

0 None

1 90

2 93

3 103

4 130

5 Other

5. Gauge bracket material

0 None

1 304SS

2 316SS

3 316L SS

Z Other

6. Bracket mounting position

0 None

1 Back

2 Top

3 2" U bolt

4 Pipe band

5 L-type

6 Special

7 Special 2" U bolt

Z Other

7. Stanchion pipe

0 None

1 Carbon steel

2 304SS

3 316SS

4 Other

8. Unused character

0 None

1 Anti electrostatic

1	2	3	4	5	6	7	8
A090	SS230	1	1	3	1	1	0

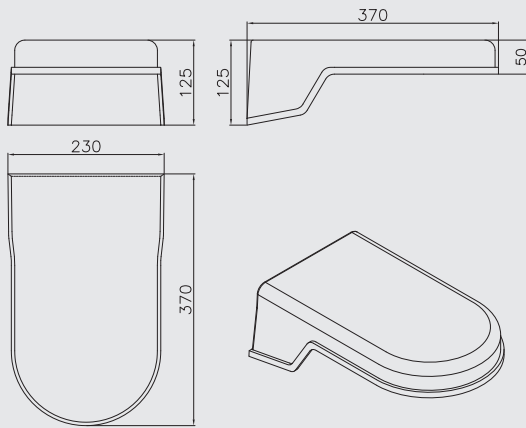
Sample
ordering code



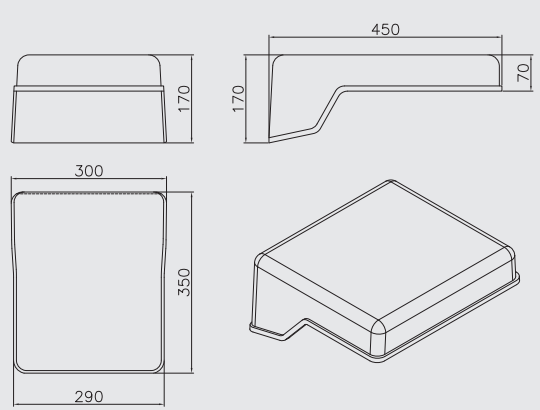
© WISE Control Inc. All rights reserved. ALL PRODUCT, PRODUCT SPECIFICATIONS AND DATA ARE SUBJECT TO CHANGE WITHOUT NOTICE TO IMPROVE RELIABILITY, FUNCTION OR DESIGN OR OTHERWISE.

A090 : Sunshade type and typical size

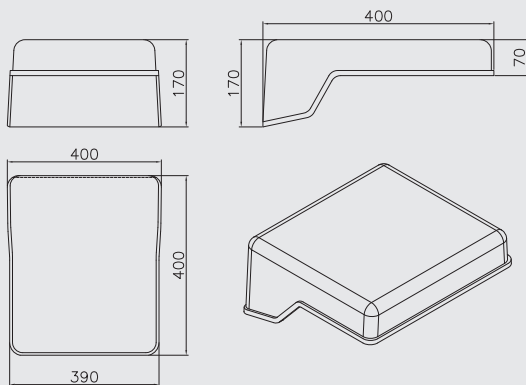
SS230



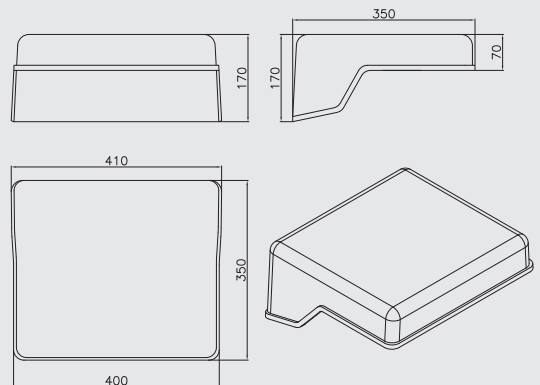
SS300



SS400

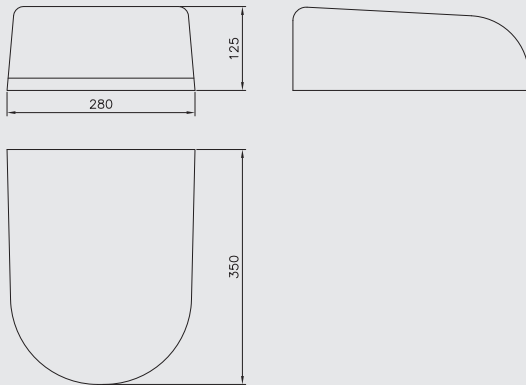


SS410

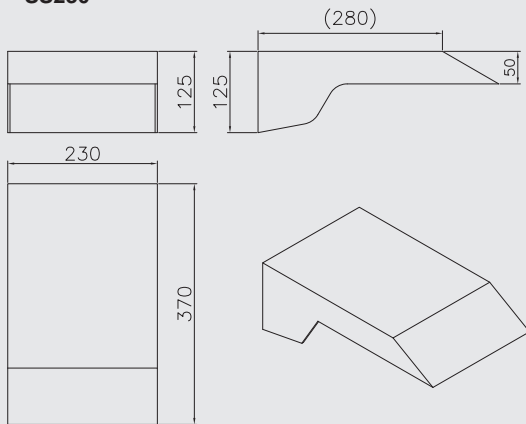


A090 : Sunshade type and typical size

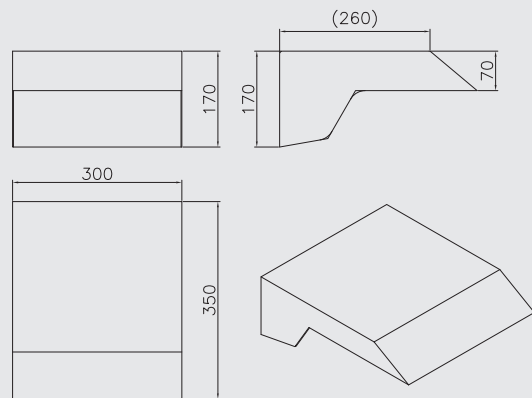
SS280, ABS only



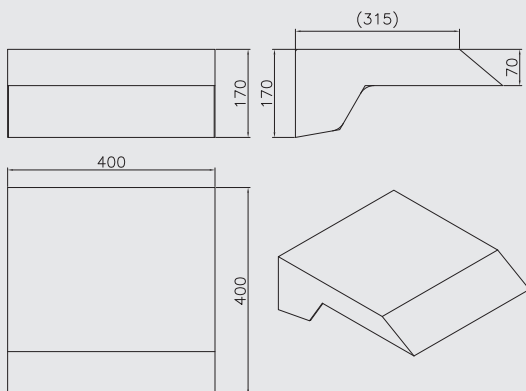
SS230



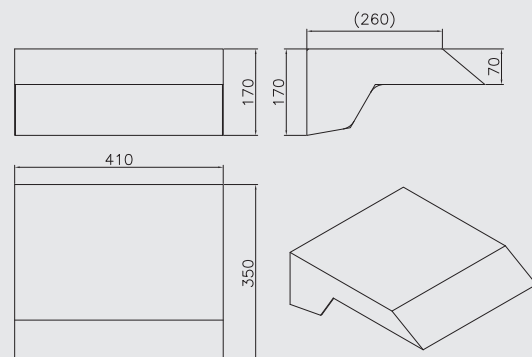
SS300



SS400



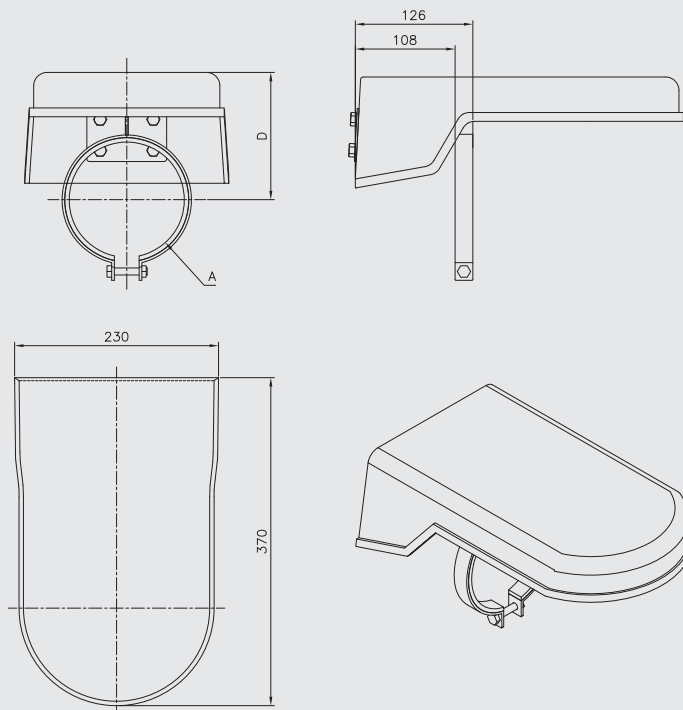
SS410



A090 : Bracket mounting position

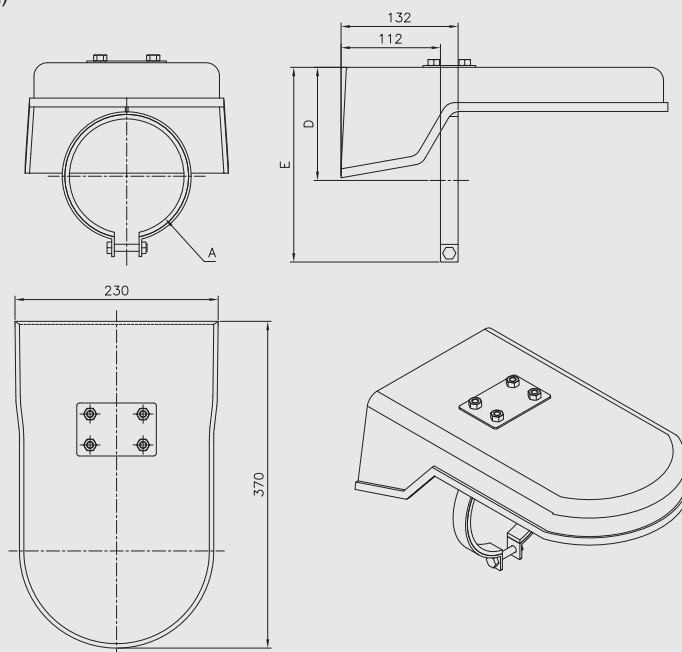
Back mounting

(Total weight \approx 1.5 kg)



Top mounting

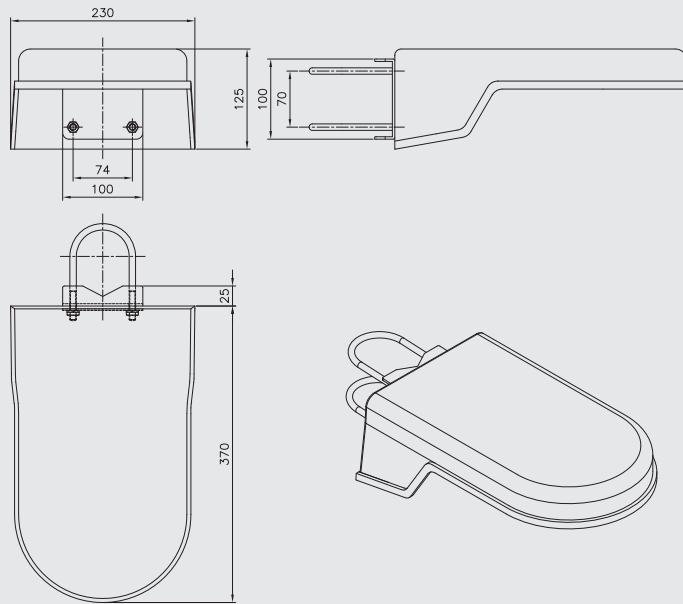
(Total weight \approx 1.55 kg)



A090 : Bracket mounting position

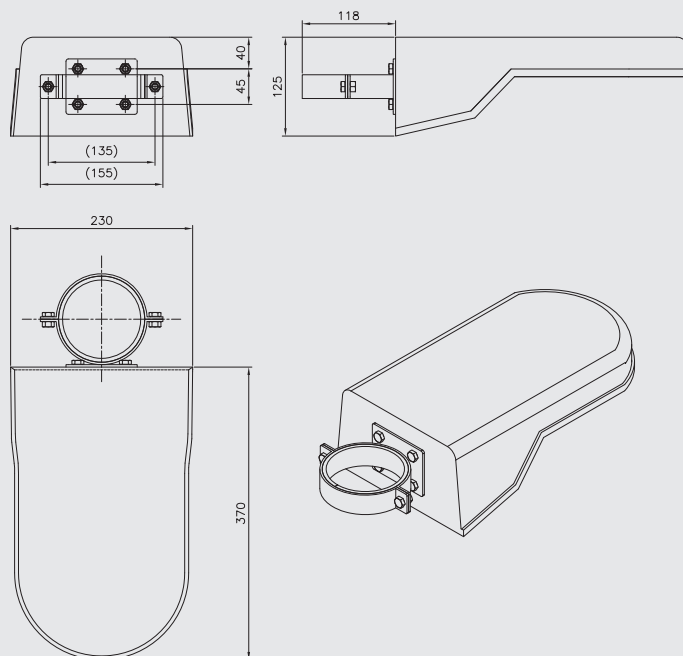
2" U bolt mounting

(Total weight \approx 1.57 kg)



Pipe band mounting

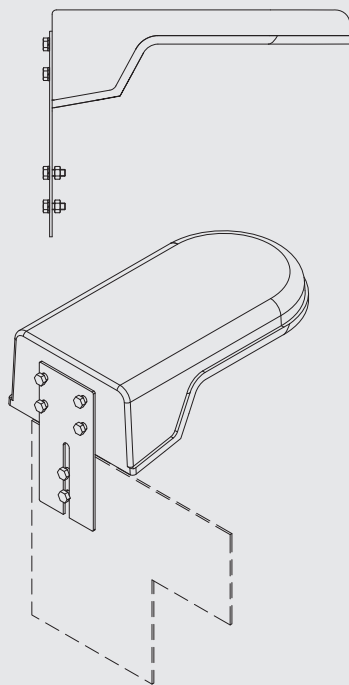
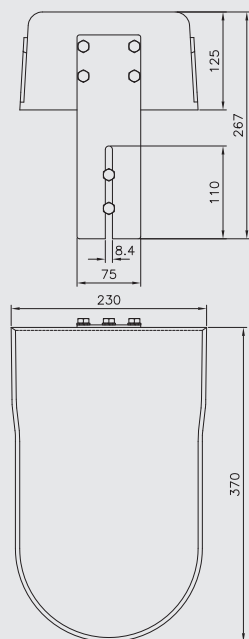
(Total weight \approx 1.5 kg)



A090 : Bracket mounting position

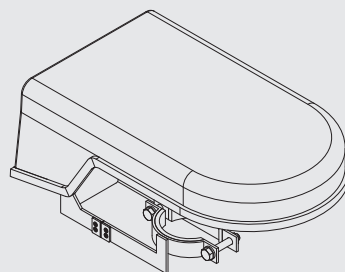
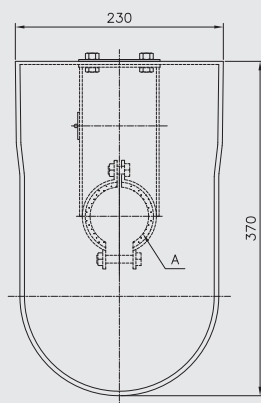
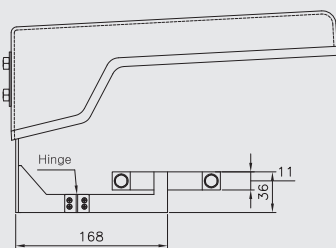
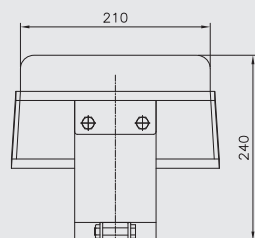
L-type fixed mounting

(Total weight \approx 1.5 kg)



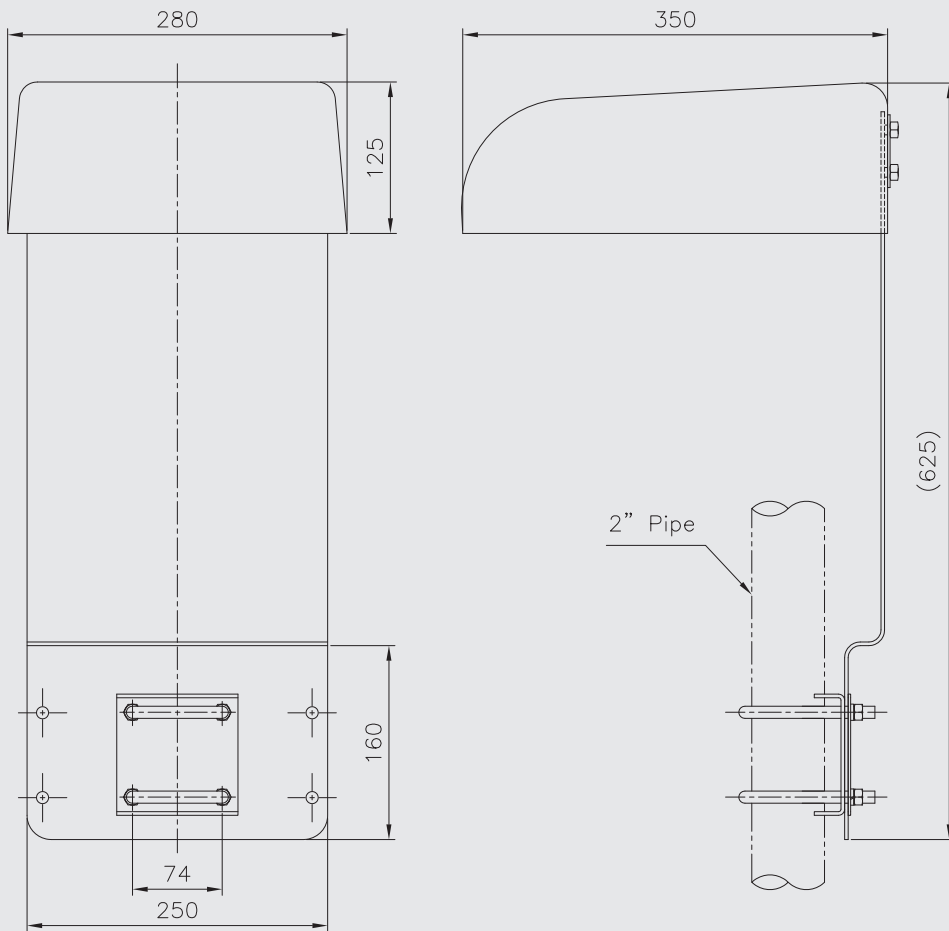
Special mounting

(Total weight \approx 2.2 kg)



A090 : Bracket mounting position

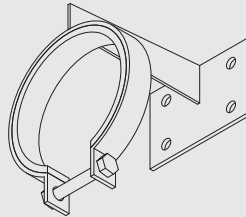
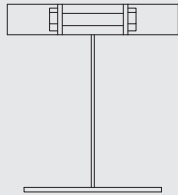
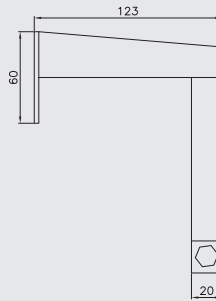
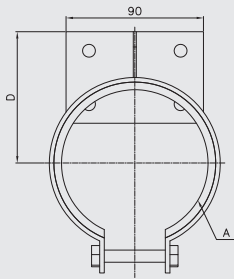
Special 2" U bolt mounting
(Total weight ≈ 3.8 kg)



A090 : Mounting accessories

1. Gauge bracket

Back mounting

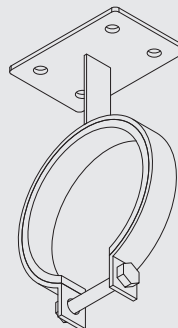
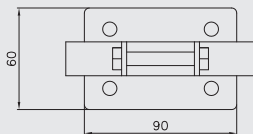
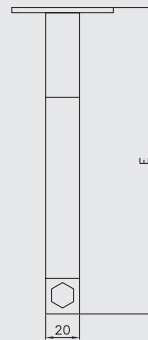
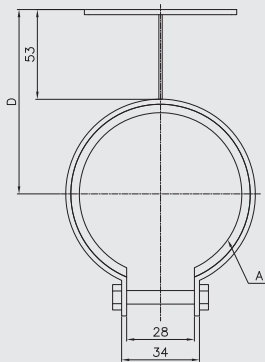


Unit : mm

No.	A	D ±2
1	Ø90	83
2	Ø93	84.5
3	Ø103	88
4	Ø130	103
5	Other	

A : Gauge bracket size

Top mounting

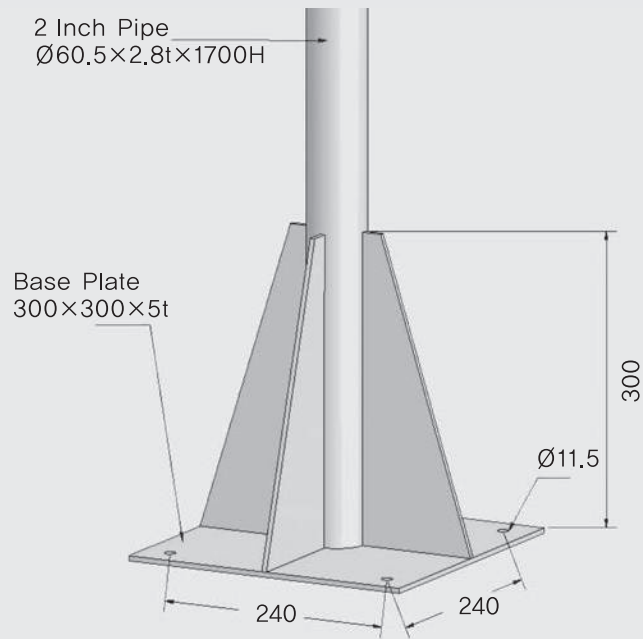


Unit : mm

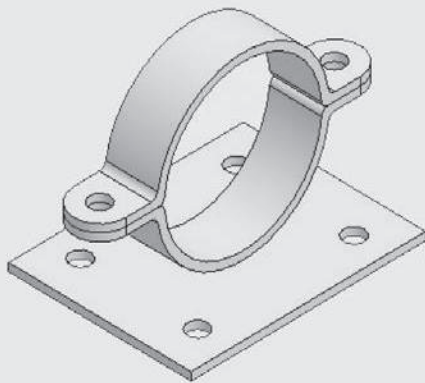
No.	A	D ±2	E ±2
1	Ø90	106	177
2	Ø93	107	180
3	Ø103	111	187
4	Ø130	126	217
5	Other		

A : Gauge bracket size

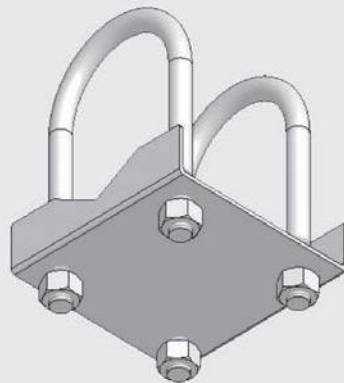
2. Pipe station



3. Pipe mounting bracket

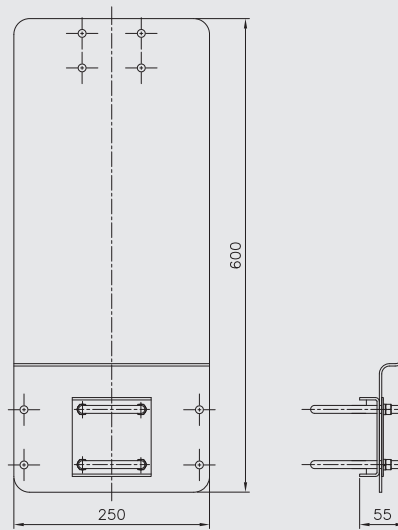


2" pipe band for mounting (PB)



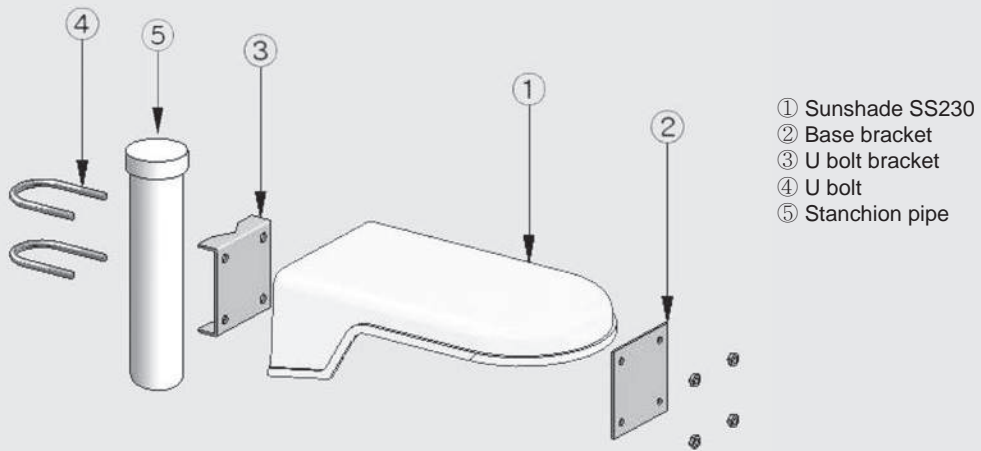
2" U-bolt type shackle for mounting (UB)

Special 2" U bolt bracket (Fe-Hot dip galvanized)



A090 : Mounting example

1. 2" U bolt mounting



2. Top mounting

