

General service pressure gauge with economic design diaphragm seal

Model : P170 series

Spec. sheet no. PD01-07

Service intended

P170 series are designed to withstand corrosive, contaminated, or heterogeneous pressure media by employing the welded bellows. Especially, it can be used for water treatment process machines and sludge water lines.

Nominal diameter

75 and 100 mm

Accuracy

±1.5 % of full scale

Scale range (MPa, kPa, bar)

-0.1 ~ 0 to 0 ~ 2.5 MPa

Working pressure

Steady : 75 % of full scale

Over range protection : 130 % of full scale

Working temperature

Ambient : -20 ~ 65 °C

Fluid : Max. 100 °C

Special features

Design with internal diaphragm, upper and lower housing welded

Excellent cost-performance ratio

Temperature effect

Accuracy at temperature above and below the reference temperature (20 °C) will be effected by approximately ±0.4 % per 10 °C of full scale



Standard features

Pressure connection

Upper and Under flange : 304SS

Movement

Brass

Element

Diaphragm : 316L SS

Pointer

Black painted aluminium alloy

Case

Black painted steel

Process connection

¼" PT, NPT and PF

⅜" PT, NPT and PF

Cover

Black painted steel

Option

Dial size : 60 and 75 mm

Another process connection size and type

Window

Glass

WISE[®]

1. Base model

P170 General service pressure gauge with screwed diaphragm seal assembly

2. Nominal diameter (mm)

- 3 75
- 4 100

3. Type of mounting

- A Bottom connection, direct
- F Center back connection, direct

4. Accuracy

- 4 ±1.5 % of full scale

5. Process connection

- C 1/4"
- D 3/8"

6. Connection type

- B PF
- C PT
- D NPT

7. Unit

- H bar
- I MPa
- J kPa

8. Range

XXX Refer to pressure unit and range table

9. Dial color

- 1 2 colors
- 5 3 colors

10. Option

- 0 None
- 1 Accessories

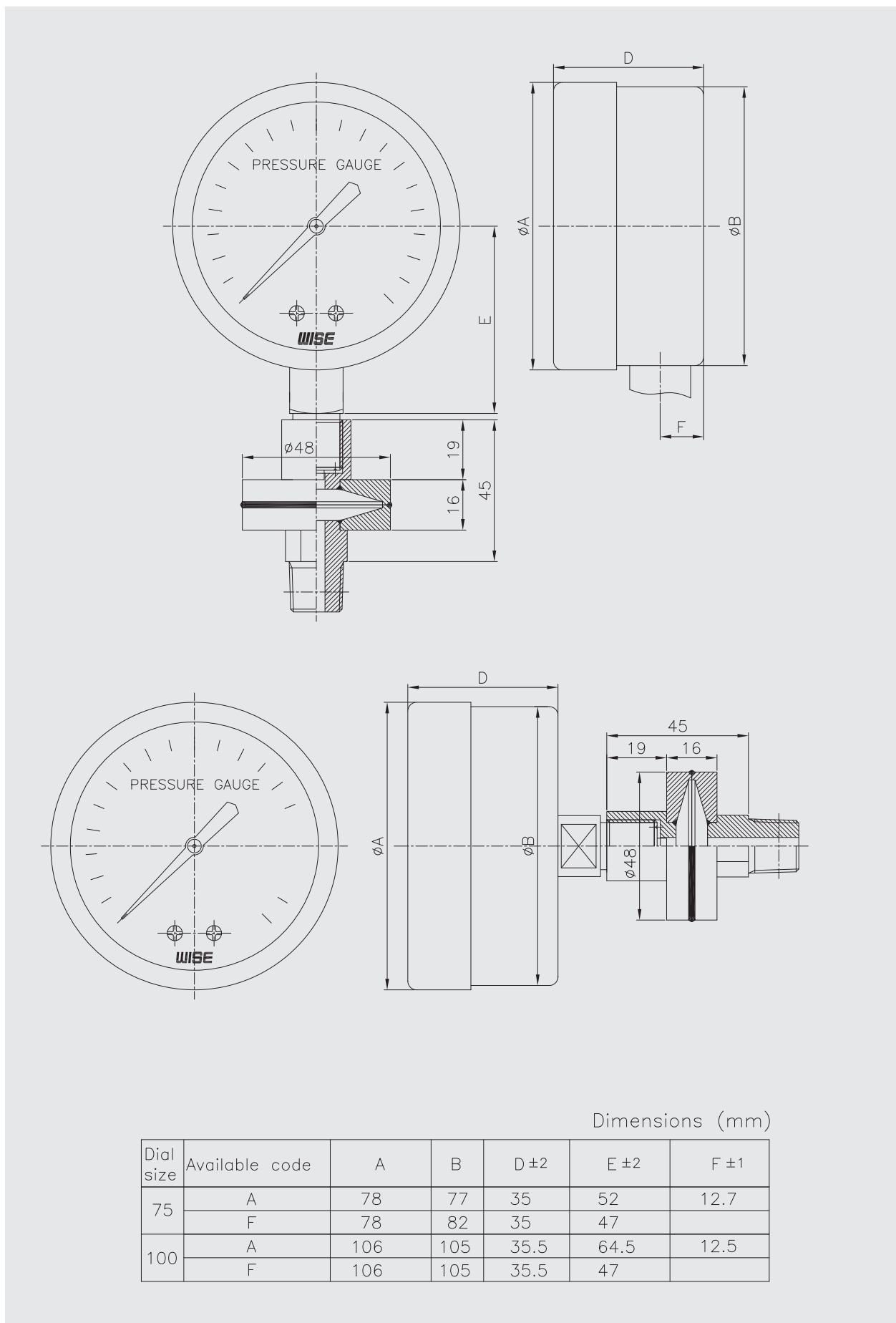
Sample ordering code

1	2	3	4	5	6	7	8	9	10
P170	4	A	4	D	C	H	XXX	1	0



© WISE Control Inc. All rights reserved. ALL PRODUCT, PRODUCT SPECIFICATIONS AND DATA ARE SUBJECT TO CHANGE WITHOUT NOTICE TO IMPROVE RELIABILITY, FUNCTION OR DESIGN OR OTHERWISE.

P170 : Type of mounting



Dimensions (mm)

Dial size	Available code	A	B	D ± 2	E ± 2	F ± 1
75	A	78	77	35	52	12.7
	F	78	82	35	47	
100	A	106	105	35.5	64.5	12.5
	F	106	105	35.5	47	

Pressure unit and range table

Range and code	Unit and code			75 mm	100 mm
	H : bar	I : MPa	J : kPa		
042	0 ~ 2	0 ~ 0.2	0 ~ 200	O	O
043	0 ~ 3	0 ~ 0.3	0 ~ 300	O	O
044	0 ~ 4	0 ~ 0.4	0 ~ 400	O	O
045	0 ~ 6	0 ~ 0.6	0 ~ 600	O	O
047	0 ~ 10	0 ~ 1	0 ~ 1,000	O	O
050	0 ~ 15	0 ~ 1.5	X	O	O
051	0 ~ 20	0 ~ 2	X	O	O
052	0 ~ 25	0 ~ 2.5	X	O	O
028	-1 ~ 2	-0.1 ~ 0.2	-100 ~ 200	O	O
029	-1 ~ 3	-0.1 ~ 0.3	-100 ~ 300	O	O
030	-1 ~ 4	-0.1 ~ 0.4	-100 ~ 400	O	O
031	-1 ~ 6	-0.1 ~ 0.6	-100 ~ 600	O	O
032	-1 ~ 10	-0.1 ~ 1	-100 ~ 1,000	O	O
033	-1 ~ 15	-0.1 ~ 1.5	-100 ~ 1.5 MPa	O	O
034	-1 ~ 20	-0.1 ~ 2	-100 ~ 2 MPa	O	O

O : Available X : Not available