

Miniature pressure gauge

Model: P235S - 316SS Internal
P235B - Brass Internal

Spec. sheet no. PD02-05

Service intended

P235S and P235B series are miniature gauges. These gauges are designed to be installed in the narrow and the tight places where regular pressure gauges cannot be installed. Therefore, these gauges are useful for installation on small machines such as positioners. It shows the excellent performance where severe vibration is present.

Nominal diameter

35 mm

Accuracy

±3.0 % of full scale

Scale range (MPa, kPa, bar)

0 ~ 0.2 MPa to 0 ~ 3.5 MPa

Working pressure

Steady : 75 % of full scale

Over range protection : 130 % of full scale

Working temperature

Ambient : P235S : -40 ~ 65 °C

P235B : -20 ~ 60 °C

Fluid : P235S : Max. 200 °C

P235B : Max. 60 °C

Temperature effect

Accuracy at temperature above and below the reference temperature (20 °C) will be effected by approximately ±0.4 % per 10 °C of full scale



Standard features

Pressure connection

P235S - Stainless steel (316SS)

P235B - Brass

Element

"C" type bourdon tube

P235S - Stainless steel (316SS)

P235B - Brass

Case

Stainless steel (304SS)

Movement

Stainless steel (304SS)

Dial

White aluminium with black graduations

Pointer

Black painted aluminium alloy

Process connection

1/8", 1/4" PT, NPT and PF

Option

Window : Safety glass with stainless steel cover

WISE[®]

1. Base model**P235S** Miniature pressure gauge (316SS internal)**P235B** Miniature pressure gauge (Brass internal)**2. Nominal diameter (mm)****M** 35**3. Type of mounting****A** Bottom connection, direct**F** Center back connection, direct**4. Process connection****B** 1/8"**C** 1/4"**5. Connection type****B** PF**C** PT**D** NPT**Z** Other**6. Unit****H** bar**I** MPa**J** kPa**7. Range****XXX** Refer to pressure unit and range table**8. Dial color****1** 2 colors (P235B)**3** 2 colors (P235S)**5** 3 colors (P235B)**7** 3 colors (P235S)**9. Option****0** None**1** Accessories**Sample ordering code**

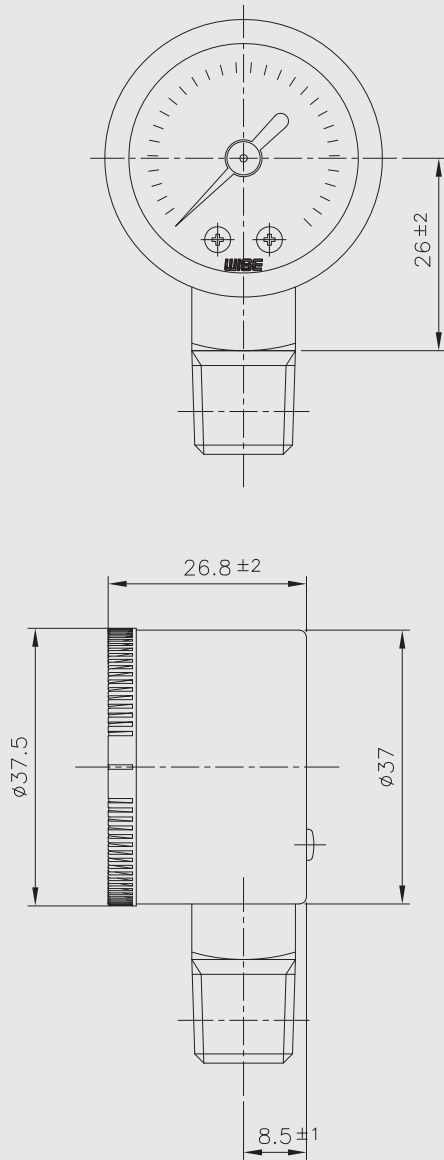
1	2	3	4	5	6	7	8	9
P235S	M	A	B	B	H	XXX	3	0



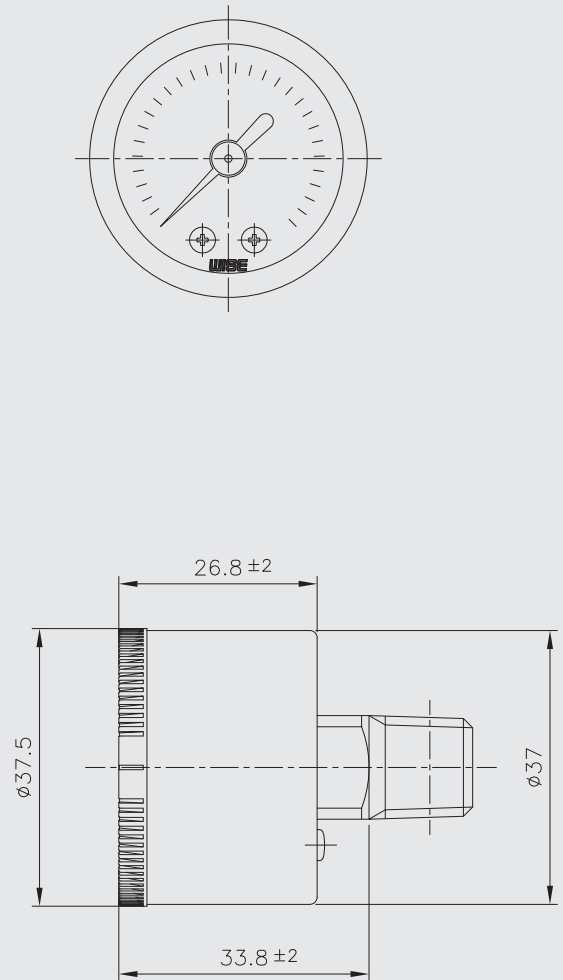
© WISE Control Inc. All rights reserved. ALL PRODUCT, PRODUCT SPECIFICATIONS AND DATA ARE SUBJECT TO CHANGE WITHOUT NOTICE TO IMPROVE RELIABILITY, FUNCTION OR DESIGN OR OTHERWISE.

P235 : Type of mounting

Code A



Code F



Pressure unit and range table

Range and code	Unit and code			Nominal diameter
	H : bar	I : MPa	J : kPa	35 mm
042	0 ~ 2	0 ~ 0.2	0 ~ 200	O
043	0 ~ 3	0 ~ 0.3	0 ~ 300	O
044	0 ~ 4	0 ~ 0.4	0 ~ 400	O
045	0 ~ 6	0 ~ 0.6	0 ~ 600	O
047	0 ~ 10	0 ~ 1	0 ~ 1,000	O
050	0 ~ 15	0 ~ 1.5	X	O
051	0 ~ 20	0 ~ 2	X	O
052	0 ~ 25	0 ~ 2.5	X	O
054	0 ~ 35	0 ~ 3.5	X	O

O : Available X : Not available