

General service liquid filled pressure gauge

Model : P254 series

Spec. sheet no. PD02-09

Service intended

P254 series are designed to measure a high dynamic pressure load and it can be used where severe vibrations are present. It is recommended to be used with a gaseous and a liquid media that are not highly viscous and not to be used where copper alloy parts could be corroded. Its application extends to hydraulics, compressors and shipbuilding.

Nominal diameter

50, 63, 75 and 100 mm

Accuracy

±1.5 % of full scale

Scale range (MPa, kPa, bar)

-0.1 ~ 0 to 0 ~ 40 MPa

Working pressure

Steady : 75 % of full scale

Over range protection : 130 % of full scale

Working temperature

Ambient : -20 ~ 60 °C

-20 ~ 60 °C (With glycerin filling)

-40 ~ 65 °C (With silicone filling)

Fluid : Max. 60 °C

Fluid

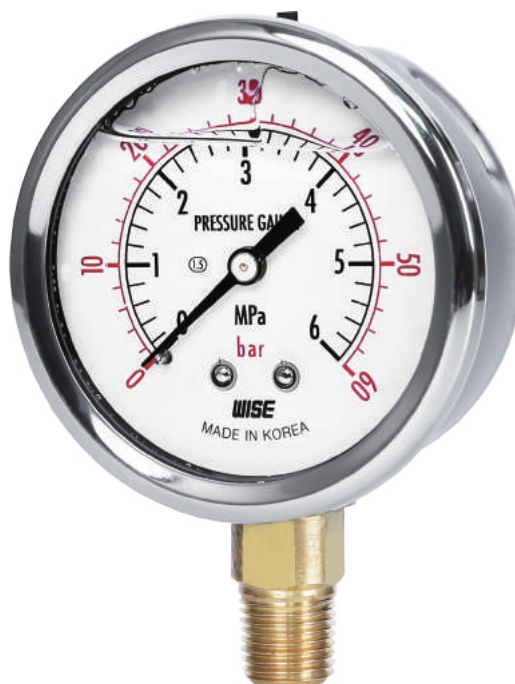
Glycerin

Degree of protection

EN60529/IEC529/IP67

Temperature effect

Accuracy at temperature above and below the reference temperature (20 °C) will be effected by approximately ±0.4 % per 10 °C of full scale



Standard features

Pressure connection

Brass (50 and 63 mm)

Nickel plated brass (75 and 100 mm)

Element

Brass

<6 MPa : C type bourdon tube

≥6 MPa : Helical type bourdon tube

Case

Stainless steel (304SS)

Cover

Stainless steel (304SS)

Crimp ring type

Window

Polycarbonate (50 and 63 mm)

Safety glass (75 and 100 mm)

Movement

Brass

Dial

White aluminium with black graduations

Pointer

Black painted aluminium alloy

Process connection

50 and 63 mm : 1/8", 1/4" PT, NPT and PF

75 mm : 1/4", 3/8" PT, NPT and PF

100 mm : 1/4", 3/8", 1/2" PT, NPT and PF

One piece type connection (50 and 63 mm)

Two piece type connection (75 and 100 mm)

WISE[®]

1. Base model**P254** General service liquid filled pressure gauge**2. Nominal diameter (mm)**

- 1 50
- 2 63
- 3 75
- 4 100

3. Type of mounting

- A** Bottom connection, direct
- B** Bottom connection, surface, case mounting plate, not available with diameter 50 mm
- F** Center back mount, direct
- H** Center back connection, flush, case center mounting plate, not available with diameter 50 mm
- I** Center back connection, case center mounting bracket, only available with diameter 63 mm

4. Accuracy

- 4 ±1.5 % of full scale

5. Process connection

- B** 1/8"
- C** 1/4"
- D** 3/8", not available with diameter 50 and 63 mm
- E** 1/2", not available with diameter 50, 63 and 75 mm
- P** 1/16" (UNF)

6. Connection type

- B** PF
- C** PT
- D** NPT
- F** BSPT
- G** BSP
- E** UNF
- Z** Other

7. Unit

- H** bar
- I** MPa
- J** kPa
- Z** Other

8. Range**XXX** Refer to pressure unit and range table**9. Dial color**

- 1 2 colors
- 5 3 colors

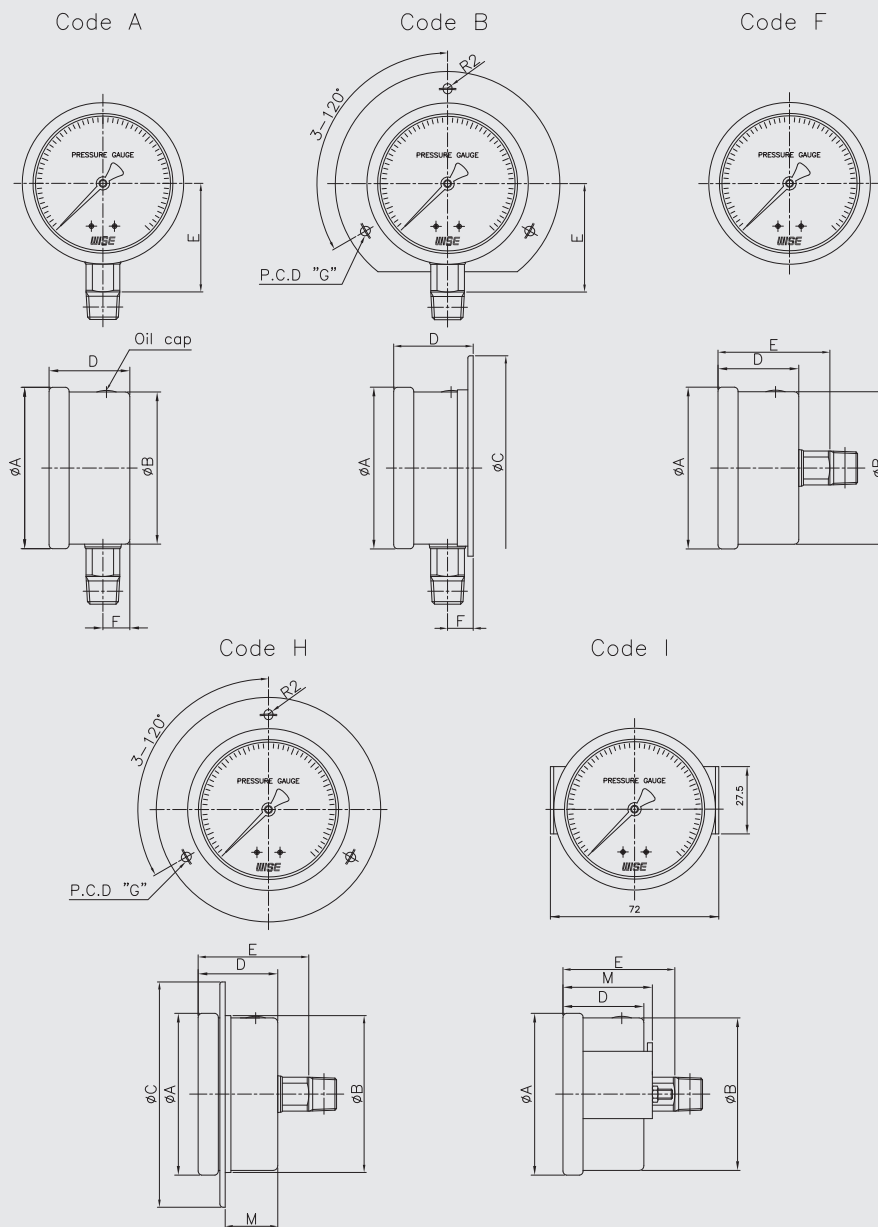
10. Option

- 0 None
- 1 Accessories
- 8 Silicone filling
- 9 Glycerin filling

Sample ordering code

1	2	3	4	5	6	7	8	9	10
P254	4	A	4	E	D	H	XXX	1	0

P254 : Type of mounting



Dimensions (mm)

Dial size	Available code	A	B	C	D \pm 2	E \pm 2	F \pm 1	M	G
50	A	58.3	52		29.5	37.5	10.4		
	F	58.3	52		29.5	38			
63	A	68	62		33	44.3	12.7		
	B	68		86	34	44.3	13.7		74~78
	F	68	62		33	42.5			
	H	68	64	86	33	42.5		26	74~78
	I	68	62		33	42.5		42	
75	A	85.5	76.5		34	56	10		
	B	85.5		105	36	56	12		93.5
	F	85.5	76.5		34	52			
	H	85.5	79	105	34	52		28	93.5
100	A	109.8	101.3		38.5	65	12.5		
	B	109.8		128	41.5	65	14		115
	F	109.8	101.3		38.5	52			
	H	109.8	103	128	38.5	52		27	114~117

Pressure unit and range table

Range and code	Unit and code			Nominal diameter			
	H : bar	I : MPa	J : kPa	50 mm	63 mm	75 mm	100 mm
026	-1 ~ 0	-0.1 ~ 0	-100 ~ 0	X	O	O	O
041	0 ~ 1	0 ~ 0.1	0 ~ 100	X	O	O	O
042	0 ~ 2	0 ~ 0.2	0 ~ 200	O	O	O	O
043	0 ~ 3	0 ~ 0.3	0 ~ 300	O	O	O	O
044	0 ~ 4	0 ~ 0.4	0 ~ 400	O	O	O	O
045	0 ~ 6	0 ~ 0.6	0 ~ 600	O	O	O	O
047	0 ~ 10	0 ~ 1	0 ~ 1,000	O	O	O	O
050	0 ~ 15	0 ~ 1.5	X	O	O	O	O
051	0 ~ 20	0 ~ 2	X	O	O	O	O
052	0 ~ 25	0 ~ 2.5	X	O	O	O	O
054	0 ~ 35	0 ~ 3.5	X	O	O	O	O
055	0 ~ 50	0 ~ 5	X	O	O	O	O
057	0 ~ 70	0 ~ 7	X	X	O	O	O
058	0 ~ 100	0 ~ 10	X	X	O	O	O
059	0 ~ 150	0 ~ 15	X	X	O	O	O
062	0 ~ 250	0 ~ 25	X	X	O	O	O
064	0 ~ 350	0 ~ 35	X	X	O	O	O
065	0 ~ 400	0 ~ 40	X	X	O	O	O
027	-1 ~ 1	-0.1 ~ 0.1	-100 ~ 100	X	O	O	O
028	-1 ~ 2	-0.1 ~ 0.2	-100 ~ 200	X	O	O	O
029	-1 ~ 3	-0.1 ~ 0.3	-100 ~ 300	X	O	O	O
030	-1 ~ 4	-0.1 ~ 0.4	-100 ~ 400	X	O	O	O
031	-1 ~ 6	-0.1 ~ 0.6	-100 ~ 600	X	O	O	O
032	-1 ~ 10	-0.1 ~ 1	-100 ~ 1,000	X	O	O	O
033	-1 ~ 15	-0.1 ~ 1.5	X	X	O	O	O
034	-1 ~ 20	-0.1 ~ 2	X	X	O	O	O

O : Available X : Not available