

Duplex pressure gauge

Model : P336 series – Round type

Model : P338 series – Square type

Spec. sheet no. PD03-02

Service intended

P336 and P338 series offer dual air brake system, differential pressure indication and it can be used for any other application where two independent pressures are indicated on a single dial.

Nominal diameter

100 mm (P336)

110 mm (W) x 110 mm (H) (P338)

Accuracy

±1.5 % of full scale

Scale range (MPa, kPa, bar)

0 ~ 0.4 to 0 ~ 3.5 MPa (P336)

0 ~ 1 and 0 ~ 1.2 MPa (P338)

Working pressure

Steady : 75 % of full scale

Over range protection : 130 % of full scale

Working temperature

Ambient : -40 ~ 65 °C

Fluid : Max. 200 °C

Temperature effect

Accuracy at temperature above and below the reference temperature (20 °C) will be effected by approximately ±0.4 % per 10 °C of full scale



Model : P336



Model : P338

Standard features

Pressure connection

Stainless steel (316SS)

Movement

Brass

Element

Stainless steel (316SS)

Dial

White aluminium with black graduations

Case

Black painted aluminium

Cover

Black painted aluminium (P336)

ABS resin (P338)

Pointer

Black painted aluminium alloy

Window

Safety glass (P336)

Polycarbonate (P338)

Process connection

3/8" PF

1. Base model

- P336** Duplex pressure gauge, round type
P338 Duplex pressure gauge, square type

2. Nominal diameter (mm)

- 4** 100, round type
9 110 (W) x 110 (H), square type

3. Type of mounting

- A** Bottom connection, direct, only available with round type
B Bottom connection, surface, case mounting plate, only available with round type
E Bottom connection, surface, case mounting plate, only available with round type
G Lower back connection, direct
M Lower back connection, flush, case center mounting bracket, only available with round type

4. Accuracy

- 4** ±1.5 % of full scale

5. Process connection

- D** 3/8"

6. Connection type

- B** PF

7. Unit

- H** bar
I MPa
J kPa

8. Range

- 044** 0 ~ 0.4 MPa, not available with square type
045 0 ~ 0.6 MPa, not available with square type
047 0 ~ 1 MPa
049 0 ~ 1.2 MPa, only available with square type
050 0 ~ 1.5 MPa, not available with square type
051 0 ~ 2 MPa, not available with square type
052 0 ~ 2.5 MPa, not available with square type
054 0 ~ 3.5 MPa, not available with square type

9. Dial color

- 2** 2 colors
7 3 colors

10. Option

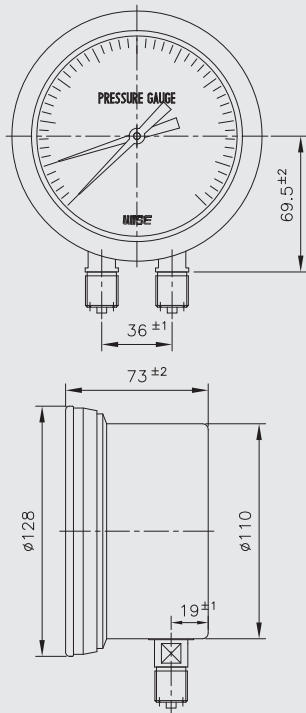
- 0** None
1 Accessories
2 Short connection (Only P338)
4 Orifice
5 Accessories and orifice
6 Short connection and orifice (Only P338)

Sample ordering code

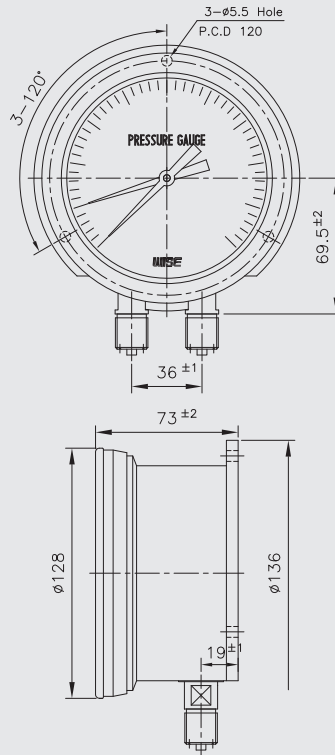
1	2	3	4	5	6	7	8	9	10
P336	4	A	4	D	B	H	044	2	0

P33X : Type of mounting

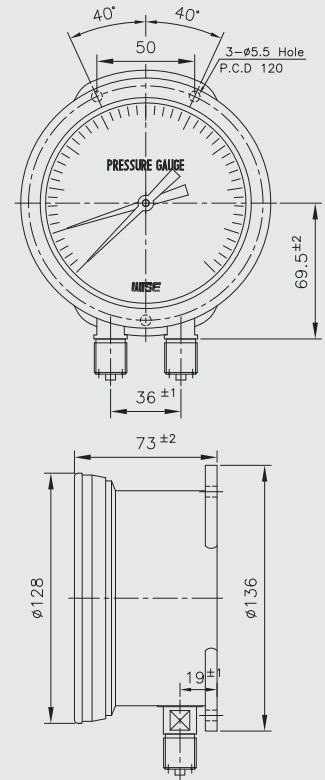
Code A



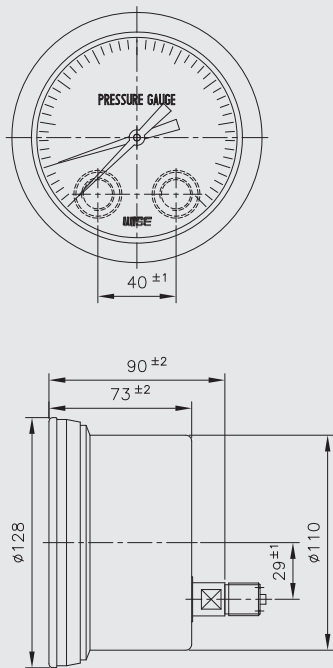
Code B



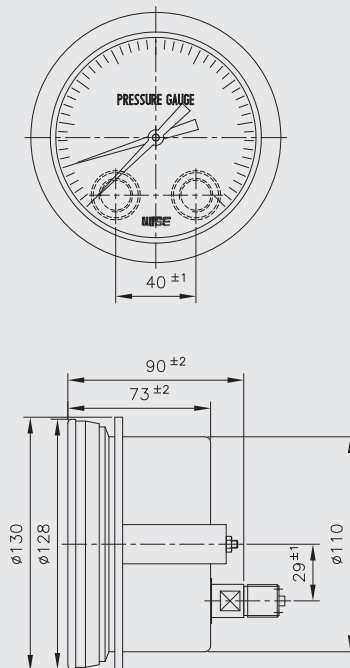
Code E



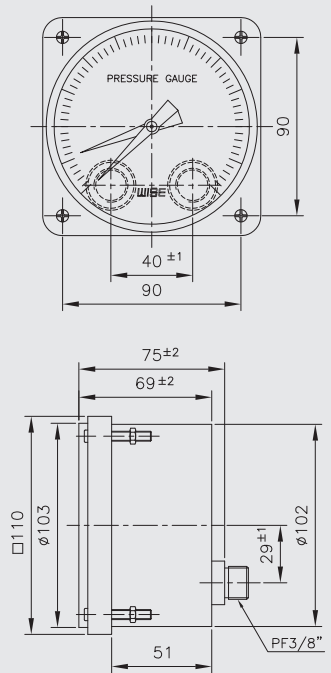
Code G



Code M



Code G* (P338)



Conversion table

Pressure conversion chart

psi	atm	kgf/cm ²	inH ₂ O	mmHg	inHg	kPa	bar	mmH ₂ O
1	0.068046	0.070307	27.7276	51.715	2.03602	6.835	0.06895	704.28104
14.696	1	1.0332	407.484	760	29.921	101.325	1.01325	10350.0936
14.2233	0.96784	1	394.38	735.559	28.959	98.096	0.98067	10,000
0.036092	0.002454	0.00253	1	1.8651	0.07343	0.249	0.00249	25.4
0.019336	0.001315	0.001359	0.53616	1	0.03937	0.1333	0.001333	13.618464
0.491154	0.0033421	0.03453	13.6185	25.4	1	3.3864	0.033864	345.9099
0.145	0.00987	0.010197	4.0186	7.5006	0.2953	1	0.01	102.07244
14.5038	0.98692	1.01972	402.156	750.062	29.53	100	1	10214.7624
0.00142	0.000097	0.0001	0.03937	0.0734	0.0029	0.0098	0.000098	1

Volume conversion chart

Gallon (U.S)	Cubic feet	Cubic inches	Barrels (Oil)	Cubic cm	Cubic meter	Liter	IMP. Gallon
1	0.1337	231	0.02381	3,785	0.003785	3.785	0.8327
7.481	1	1,728	0.1781	28,320	0.02832	28.32	6.229
0.004329	0.000578	1	0.000103	16.39	0.000016	0.01639	0.003605
42	5.615	9,702	1	159,000	0.159	158.94	34.97
0.000264	0.000035	0.06102	0.000006	1	0.000001	0.001	0.00022
264.17	35.3144	61,023	6.2906	1,000,000	1	1,000	220.1
0.264	0.0353	61.03	0.0629	1,000	0.001	1	0.22
1.201	0.1606	277.4	0.0286	4,546	0.004546	4.546	1

Mass conversion chart

lb.	oz.	kg	gm	gal H ₂ O (32F)	Long ton	Metric tonne	ton
1	16	0.4536	453.6	0.1198	0.000446	0.000453	0.0005
0.0625	1	0.02835	28.35	0.00749	0.000027	0.000028	0.000031
2.205	35.27	1	1,000	0.2642	0.009839	0.001	0.001102
0.002205	0.03527	0.001	1	0.00264	0.000000	0.000001	0.000001
8.345	133.5	3.785	3,785	1	0.003726	0.003786	0.004171
2,240	35,840	1016.4	1,016,363	268.352	1	1.016	1.12
2,204.6	35,273	1,000	1,000,000	264.11	0.9842	1	1.1023
2,000	32,000	907.03	909,090.9	239.7	0.892857	0.907194	1

Density conversion chart

lb / ft ³	gm / cm ³	ka / m ³	lb / in ³
1	0.016018	16.0184	0.000578
62.43	1	1,000	0.03613
0.06243	0.001	1	0.000036
1728	27.68	27,679.8	1