

# High temperature service pressure gauge

## Model: P740 series

Spec. sheet no. PD07-03

### Service intended

P740 series have diaphragm seal to be combined with a pressure gauge, and measure the melted plastics, fiber, and synthetic under high pressure. It is suitable to be used for the situation where corrosive, contaminated, hot and viscous pressure mediums are present during the chemical or food process.



### Pressure range (MPa, bar)

Refer to range table  
Depending on diaphragm size and process conditions

### Accuracy

±1.0 % of full scale

### Filling liquid

Silicone oil

### Working temperature

Ambient : -20 ~ 65 °C  
Fluid : Max. 300 °C

### Temperature effect

Accuracy at temperature above and below the reference temperature (20 °C) will be effected by approximately ±0.5 % per 10 °C of full scale



## Standard features

### Process connection

¾" PF and 1" PF male screw

### Pocket

80, 150 and 300 mm

### Body

Stainless steel (316SS)

### Certificates

ATEX Ex II GD c IIC TX

### Diaphragm

Stainless steel (316L SS)

**WISE**<sup>®</sup>

**1. Base model**

- P741** High temperature service pressure gauge  
**P742** High temperature service pressure gauge with remote seal

**2. Gauge model and mounting type**

- 8A** 100 mm (P252 model), bottom connection  
**8B** 100 mm (P252 model), bottom connection, surface,  
 case mounting plate (P742)

**3. Body and process connection material, pocket length**

- A** 316SS and 80 mm  
**B** 316SS and 150 mm  
**C** 316SS and 300 mm

**4. Process connection**

- FB** ¾" PF  
**GB** 1" PF  
**ZZ** Other

**5. Unit**

- H** bar  
**I** MPa

**6. Range**

- XXX** Refer to pressure range table

**7. Diaphragm material**

- E** 316L SS

**8. Option**

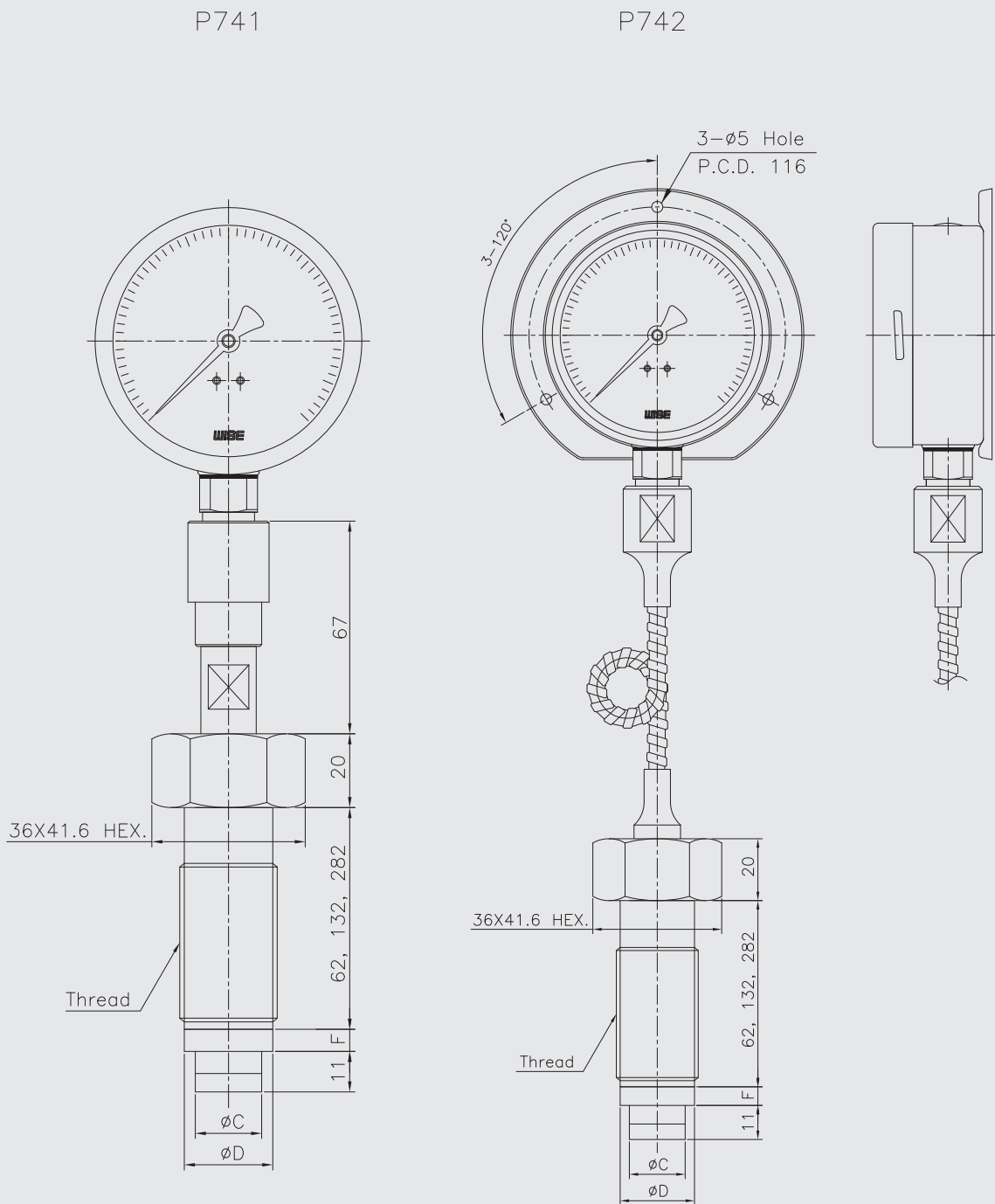
- 0** None  
**1** Accessories  
**7** Capillary length 2 metre, only available with P742 model  
**8** Capillary length 3 metre, only available with P742 model  
**9** Other

Note 1. Max. temperature and process of pressure medium must be specified on order sheet.

**Sample ordering code**

|      |    |   |    |   |     |   |   |
|------|----|---|----|---|-----|---|---|
| 1    | 2  | 3 | 4  | 5 | 6   | 7 | 8 |
| P741 | 8A | B | FB | H | XXX | E | 0 |

## P740 : Type of mounting



Dimensions (mm)

| Thread size | Available code | øD   | øC   | F |
|-------------|----------------|------|------|---|
| PF 3/4"     | P741           | 24   | 18   | 6 |
|             | P742           | 24   | 18   | 6 |
| PF 1"       | P741           | 30.2 | 23.6 | 8 |
|             | P742           | 30.2 | 23.6 | 8 |

## Pressure unit and range table

| Range and code | Unit and code |         |
|----------------|---------------|---------|
|                | H : bar       | I : MPa |
| 058            | 0 ~ 100       | 0 ~ 10  |
| 059            | 0 ~ 150       | 0 ~ 15  |
| 060            | 0 ~ 160       | 0 ~ 16  |
| 062            | 0 ~ 250       | 0 ~ 25  |
| 064            | 0 ~ 350       | 0 ~ 35  |
| 065            | 0 ~ 400       | 0 ~ 40  |
| 066            | 0 ~ 500       | 0 ~ 50  |