

# Screened surge arrester

## CSA-B

## CSAP-B

11

### Application

Rear parallel surge arrester CSAP-B can be connected with screened separable cable connector CSE-B or parallel screened separable connector CSEP-B. Protects electrical equipment against overvoltage and transients.

### Standard

- GB 11032
- SA-TECH-TEST-001

### Features

- CSAP-B includes a premolded body, manufactured in three layers: a conductive inner layer, an insulation layer and a conductive outer layer. They are vulcanized together for the best possible interface between the layers. The surge arrester's active part is made of metal oxide.
- When installing CSAP-B on the CSE-B 630, the plug and the protective cap must be moved from CSE-B to the surge arrester CSAP-B.
- Delivered in 3-core kit complete with bolt connection, earth braid and also an integrated earthing wire.



### 12 kV Screened rear surge arrester selection guide

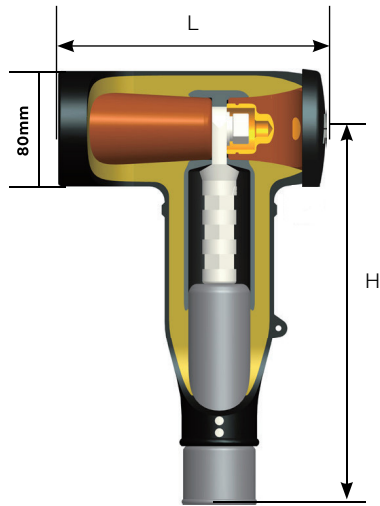
Type	Description	The system highest voltage (kV)	Rated voltage $U_r$ (kV)	Lightning impulse Residual voltage at 5 kA $U_p$ (kV)
CSA-B630-17/45	Front SA	12	17	45
CSA-B630-17/50	Front SA	12	17	50
CSAP-B630-17/45	Rear SA	12	17	45
CSAP-B630-17/50	Rear SA	12	17	50
CSAP-B630-26/66	Rear SA	24	26	66
CSAP-B630-34/85	Rear SA	24	34	85

### Brief technical specifications

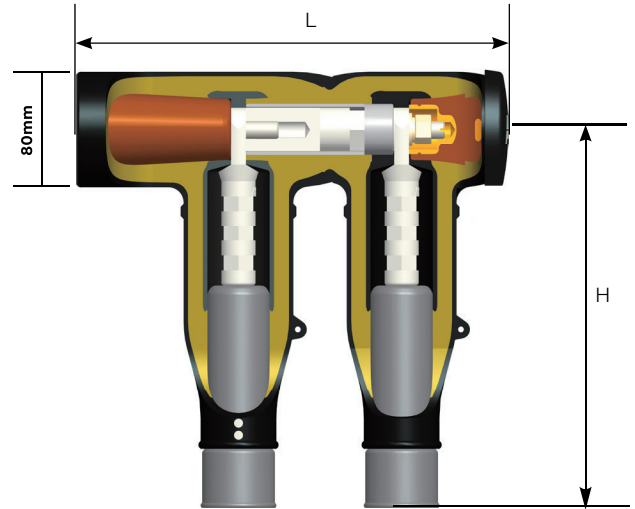
Description	CSAP-B630-17/50	CSAP-B630-26/66	CSAP-B630-34/85
Rated voltage rms $U_r$	17 kV	26kV	34kV
Continuous operating voltage rms $U_c$	13.6 kV	20.8kV	27.2kV
Reference voltage $U_{1mA}$ at 1 mA DC	$\geq 25$ kV	$\geq 37$ kV	$\geq 48$ kV
$0.75 U_{1mA}$ lower leakage voltage not greater than	20 $\mu$ A	20 $\mu$ A	20 $\mu$ A
Nominal discharge current (peak value)	5kA	5kA	5kA
Residual voltage under steep impulse current (peak value) not greater than	57.5 kV	76 kV	95kV
Residual voltage under lightning impulse current (peak value) not greater than	50 kV	66kV	85kV
Residual voltage under switching impulse current (peak value) not greater than	42.5 kV	56kV	75kV
2 ms Rectangular current impulse withstand test (20 times)	150 A	150A	150A
High current impulse 4/10 $\mu$ S	65 kA	65kA	65kA

# Screened separable cable connector

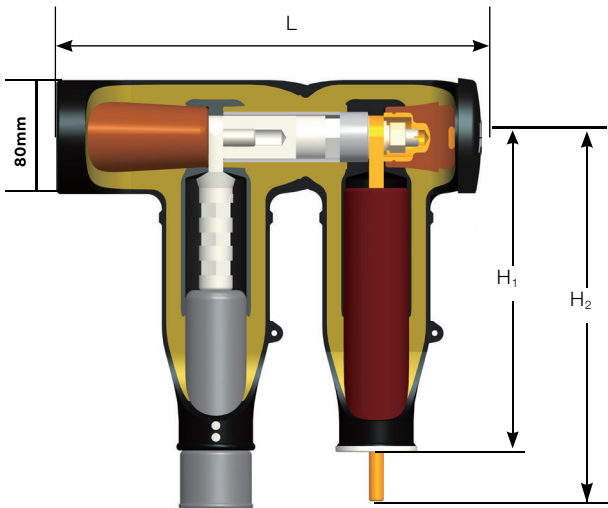
Product dimension (Unit: mm)



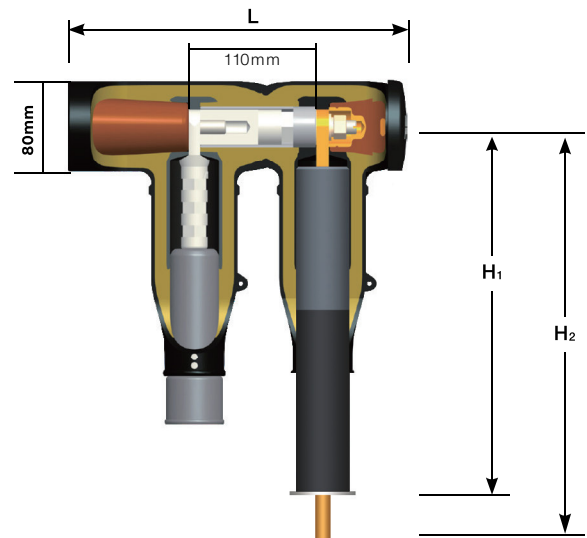
Designation	L	H
CSE-B 12630	180	255



Front connector		Rear connector	L	H
CSE-B 12630	+	CSEP-B 12630	290	255



Rear parallel surge arrester		Front connector	L	H <sub>1</sub>	H <sub>2</sub>
CSAP-B	+	CSE-B 12630	290	216	250



Rear parallel surge arrester		Front connector	L	H <sub>1</sub>	H <sub>2</sub>
CSAP-B630-26/66	+	CSE-B 24630	290	278	315
CSAP-B630-34/85	+	CSE-B 24630	290	338	372