

PFXGP4402WADW

- ✓ Standard product information
 - ✓ Electrical specifications
 - ✓ Memory
 - ✓ Structural specifications
- ✓ Display specifications
 - ✓ Environmental specifications
 - ✓ Interface specifications
 - ✓ Dimensions

Standard product information

Family	HMI
Series	GP4000E Series
Size	7" Wide
Model	PFXGP4402WADW
Global Code	PFXGP4402WADW

Display specifications

Display type	TFT Color LCD / Resistive Film (analog)
Display size	7" Wide
Resolution	800 x 480 pixels (WVGA)
Effective display area	W154.08 x H85.92 mm [W6.066 x H3.382 in.]
Display colors	65,536 colors
Backlight	LED
Backlight service life	20,000 hrs. or more (each in continuous operation at 25 °C [77 °F] before backlight brightness decreases to 50%)* ¹
Brightness control	8 Levels (Adjusted with touch panel)
Touch panel type	Resistive Film (analog)
Touch panel lifetime	1,000,000 times or more, Sweeping 100,000 times or more
Language fonts	ASCII: (code page 850) alphanumeric (including European characters) Chinese (simplified): GB2312-80 codes Japanese: ANK 158, Kanji: 6,962 (JIS standards 1 & 2) (including 607 nonkanji characters) Korean: (KSC5601 - 1992 codes) Hangul fonts Chinese (traditional): BIG 5 codes* ²
Character sizes	Standard font: 8 x 8, 8 x 16, 16 x 16 and 32 x 32 pixel fonts
Font sizes	Width can be expanded 1, 2, 4, and 8 times. Height can be expanded 1/2, 1, 2, 4, and 8 times.
8 x 8 dots	40 char. x 30 rows
8 x 16 dots	40 char. x 15 rows

16 x 16 dots	20 char. x 15 rows
32 x 32 dots	10 char. x 7 rows

*1 To save the life of the backlight, set the panel in standby mode which automatically turns the backlight off when no touch input is detected within a set time.


*2 The display font differs depending on which (language) character, or which size you select. Also, if GP-Pro EX software is used, additional high-quality fonts are available with 16 x 16 or larger characters.

Electrical specifications

Rated input voltage	24 Vdc
Allowable voltage drop	1 ms or less with lowest input voltage, 10 ms or less with rated input voltage
Power consumption	9.2 W or less
In-rush current	50 A or less ^{*3}
Voltage endurance	600 Vac, 20 mA for 1 minute
Insulation resistance	500 Vdc, 10 MΩ or more (between power terminal and FG terminals)

*3 For in-rush current, the FWHM (full-width, half maximum) value is approximately 50 μs (when exceeding 25 A).

Environmental specifications

International safety standards	
Surrounding air temperature	0 to 50 °C [32 to 122 °F]
Storage temperature	-20 to +60 °C [-4 to 140 °F]
Ambient humidity	85 % RH (Wet bulb temperature: 39 °C [102.2 °F] max. - no condensation)
Storage humidity	10% to 90% RH (Non condensing, wet bulb temperature 39 °C [102.2 °F] or less)
Dust	0.1 mg/m ³ (10 ⁻⁷ oz/ft ³) or less (non-conductive levels)
Pollution degree	For use in Pollution Degree 2 environment
Corrosive gases	Free of corrosive gases
Air pressure (altitude range)	800 to 1,114 hPa (2,000 m [6,561 ft.] above sea level or less)
Vibration resistance	IEC/EN60068-2-6, 5 to 150 Hz, 3.5 mm (0.38 in) max., 1gn pm 3 axes
Concussion resistance	IEC 60068-2-27, 1/2 sinusoidal pulse for 11 ms, 15g on 3 axes
Electrostatic discharge immunity	EN/IEC 61131-2, 4 kV direct contact, 8 kV air contact
Electromagnetic compatibility (EMC)	IEC 61000 - 4 - 5, 0.5 kV (Differential Mode on power supply), 1 kV (Common Mode on power supply)

Memory

Application memory	FLASH EPROM 32 MB ^{*4}
---------------------------	---------------------------------

Backup memory	FLASH EPROM 128 KB
Clock accuracy	Variations in operating conditions and battery life can cause a clock inaccuracy from -380 to +90 seconds per month.

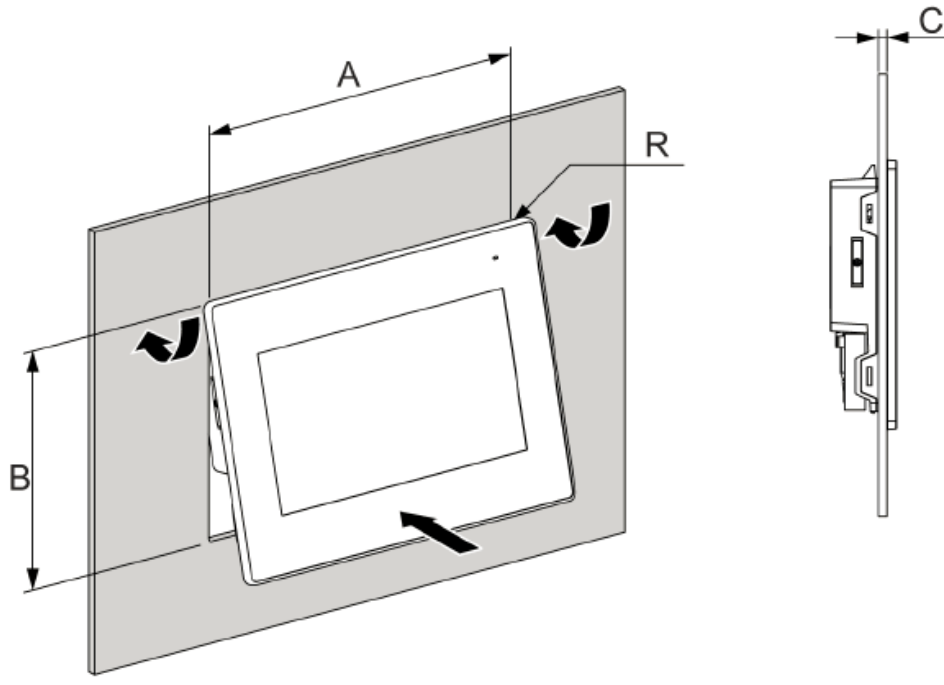
*4 Capacity available for user application. The capacity depends on how many fonts you load from Editor software.

Interface specifications	
Serial (COM1)	Asynchronous Transmission: RS-232C, Data Length: 7 or 8 bits, Stop Bit: 1 or 2 bits, Parity: None, Even or Odd, Data Transmission Speed: 2,400 to 115,200 bps, Connector: D-Sub 9 (plug)
Serial (COM2)	Asynchronous Transmission: RS-422 / 485, Data Length: 7 or 8 bits, Stop Bit: 1 or 2 bits, Parity: None, Even or Odd, Data Transmission Speed: 2,400 to 187,500 bps, Connector: D-Sub 9 pin (plug)
USB (Type A)	Conforms to USB 2.0 (Type A) x 1 Communication distance: 3 m [9.84 ft.] or less
USB (mini-B)	Conforms to USB 2.0 (mini-B) x 1, Communication Distance: 3 m [9.84 ft] or less
Ethernet	IEEE802.3i / IEEE802.3u, 10BASE-T / 100BASE-TX, Connector: Modular jack (RJ-45) x 1

Structural specifications	
Cooling method	Natural air circulation
Structure	Front Panel: IP65 (IEC60529), Enclosure type 4 indoor use only (UL 50) with screw installation fasteners, Rear Panel: IP20 (IEC 60529)
External dimensions	W207 x H152.4 x D38.2 mm [W8.15 x H6 x D1.5 in.]

Dimensions	
External dimensions	<p style="text-align: right;">mm in.</p>

Panel cut-out dimensions



A	B	C (Panel thickness)	R
190 ± 1 mm [7.48 ± 0.04 in.]	135 ± 0.7 mm [5.31 ± 0.03 in.]	1 to 5 mm [0.04 to 0.19 in.]	3 mm [0.12 in.] max.

External dimensions with cable

