

# Lembar data produk

Spesifikasi



## Controller M100 - 14I/10O relay - 220VAC

TM100C24RN

### Main

Range of product	Easy Modicon M100
Product or component type	Logic controller
[Us] rated supply voltage	100...240 V AC
Discrete I/O number	24
Discrete input number	I2...I5: 4 fast input I0...I1: 2 high speed input I6...I13: 8 regular input
Discrete output number	10 relay
Discrete input voltage	24 V
Discrete input voltage type	DC
Discrete input current	7 mA for regular input 7 mA for fast input 9 mA for high speed input
Discrete output voltage	24 V DC 220 V AC
Discrete output current	2 A
Discrete output type	Relay normally open
Power consumption in VA	31...43 VA at 100...240 V AC (with max I/O)

### Complementary

Supply voltage limits	85...264 V
Voltage state 1 guaranteed	$\geq 15$ V for input
Voltage state 0 guaranteed	$\leq 5$ V for input
Network frequency	50/60 Hz
Inrush current	50 A
Input impedance	3.3 kOhm for regular input 3.3 kOhm for fast input 2.81 kOhm for high speed input
Response time	35 $\mu$ s turn-on, I2...I5 terminal(s) for fast input 100 $\mu$ s turn-off, I2...I5 terminal(s) for fast input 5 $\mu$ s turn-on, I0...I1 terminal(s) for high speed input 5 $\mu$ s turn-off, I0...I1 terminal(s) for high speed input 10 ms turn-on, Q0...Q9 terminal(s) for relay output 10 ms turn-off, Q0...Q9 terminal(s) for relay output 35 $\mu$ s turn-on, I6...I13 terminal(s) for regular input 100 $\mu$ s turn-off, I6...I13 terminal(s) for regular input
Configurable filtering time	0 ms for input 3 ms for input

	12 ms for input
<b>Output voltage limits</b>	30 V DC 250 V AC
<b>Maximum current per output common</b>	4 A at COM 0 4 A at COM 1 4 A at COM 2
<b>Electrical durability</b>	100000 cycles AC-12, 240 V, 480 VA, resistive 100000 cycles DC-12, 24 V, 48 W, resistive
<b>Switching frequency</b>	0.1 Hz with maximum load 5 Hz without maximum load
<b>Mechanical durability</b>	20000000 cycles for relay output
<b>Minimum load</b>	10 mA at 5 V DC for relay output
<b>Memory capacity</b>	1024 kB internal flash with 10000 instructions for backup of programs
<b>Data storage equipment</b>	32 GB micro SD card (optional)
<b>Execution time for 1 KInstruction</b>	0.3 ms for event and periodic task
<b>Execution time per instruction</b>	0.2 µs Boolean
<b>Exct time for event task</b>	60 µs response time
<b>Regulation loop</b>	Adjustable PID regulator up to 14 simultaneous loops
<b>Control signal type</b>	Quadrature (x1, x2, x4) at 60 kHz for fast input (HSC mode) Pulse/direction at 60 kHz for fast input (HSC mode) Single phase at 60 kHz for fast input (HSC mode) CW/CCW at 60 kHz for fast input (HSC mode)
<b>Counting input number</b>	2 fast input (HSC mode) at 60 kHz 32 bits
<b>Integrated connection type</b>	USB port with mini B USB 2.0 connector Non isolated serial link serial 1 with terminal block connector and RS485 interface Non isolated serial link serial 2 with terminal block connector and RS232/RS485 interface
<b>Transmission rate</b>	1.2...115.2 kbit/s (115.2 kbit/s by default) for bus length of 15 m for RS485 1.2...115.2 kbit/s (115.2 kbit/s by default) for bus length of 3 m for RS232 12 Mbit/s for USB
<b>Communication port protocol</b>	USB port: USB - SoMachine-Network Non isolated serial link: Modbus master/slave - RTU/ASCII or SoMachine-Network
<b>Local signalling</b>	1 LED (green) for PWR 1 LED (green) for RUN 1 LED (red) for module error (ERR) 1 LED (green) for SD card access (SD) 1 LED (green) for SL1 1 LED per channel (green) for I/O state
<b>Electrical connection</b>	removable screw terminal blockfor inputs removable screw terminal blockfor outputs removable screw terminal block, 4 terminal(s) for connecting the serial link1 Mini B USB 2.0 connectorfor a programming terminal removable screw terminal block, 3 terminal(s) for connecting the 100-240 V AC power supply
<b>Maximum cable distance between devices</b>	Shielded cable: <10 m for fast input Shielded cable: <10 m for high speed input Unshielded cable: <150 m for output Unshielded cable: <50 m for regular input
<b>Insulation</b>	Between input and internal logic at 560 V AC Between fast input and internal logic at 560 V AC Between input groups at 560 V AC Non-insulated between inputs Between output and internal logic at 1780 V AC Between output groups at 1780 V AC Between supply and internal logic at 1780 V AC
<b>Sensor power supply</b>	24 V DC
<b>Mounting support</b>	Top hat type TH35-15 rail conforming to IEC 60715 Top hat type TH35-7.5 plate or panel with fixing kit conforming to IEC 60715
<b>Height</b>	90 mm
<b>Depth</b>	70 mm
<b>Width</b>	130 mm
<b>Product weight</b>	0.351 kg

## Environment

<b>IP degree of protection</b>	IP20 with protective cover in place
<b>Product certifications</b>	CE
<b>Standards</b>	EN/IEC 61010-2-201 EN/IEC 61131-2
<b>Electromagnetic compatibility</b>	Electrostatic discharge immunity test - test level: 8 kV (air discharge) conforming to EN/IEC 61000-4-2 Electrostatic discharge immunity test - test level: 6 kV (contact discharge) conforming to EN/IEC 61000-4-2 Susceptibility to electromagnetic fields - test level: 10 V/m (80 MHz...3 GHz) conforming to EN/IEC 61000-4-3 Conducted emission - test level: 79 dB $\mu$ V/m QP/66 dB $\mu$ V/m AV (power lines (AC)) conforming to EN/IEC 55011 Conducted emission - test level: 73 dB $\mu$ V/m QP/60 dB $\mu$ V/m AV (power lines (AC)) conforming to EN/IEC 55011 Radiated emission - test level: 40 dB $\mu$ V/m QP class A (10 m) conforming to EN/IEC 55011 Radiated emission - test level: 47 dB $\mu$ V/m QP class A (10 m) conforming to EN/IEC 55011 Magnetic field at power frequency - test level: 30 A/m (I/O) conforming to EN/IEC 61000-4-8 Electrical fast transient/burst immunity test - test level: 2 kV (power lines) conforming to EN/IEC 61000-4-4 Electrical fast transient/burst immunity test - test level: 2 kV (relay output) conforming to EN/IEC 61000-4-4 Electrical fast transient/burst immunity test - test level: 1 kV (I/O) conforming to EN/IEC 61000-4-4 Electrical fast transient/burst immunity test - test level: 1 kV (serial link) conforming to EN/IEC 61000-4-4 1.2/50 $\mu$ s shock waves immunity test - test level: 1 kV (power lines (DC)) conforming to EN/IEC 61000-4-5 1.2/50 $\mu$ s shock waves immunity test - test level: 2 kV (power lines (AC)) conforming to EN/IEC 61000-4-5 1.2/50 $\mu$ s shock waves immunity test - test level: 2 kV (relay output) conforming to EN/IEC 61000-4-5 1.2/50 $\mu$ s shock waves immunity test - test level: 1 kV (I/O) conforming to EN/IEC 61000-4-5 1.2/50 $\mu$ s shock waves immunity test - test level: 1 kV (shielded cable) conforming to EN/IEC 61000-4-5 1.2/50 $\mu$ s shock waves immunity test - test level: 0.5 kV class A (power lines (DC)) conforming to EN/IEC 61000-4-5 1.2/50 $\mu$ s shock waves immunity test - test level: 1 kV class A (power lines (AC)) conforming to EN/IEC 61000-4-5 1.2/50 $\mu$ s shock waves immunity test - test level: 1 kV (relay output) conforming to EN/IEC 61000-4-5 Conducted RF disturbances - test level: 10 V (0.15...80 MHz) conforming to EN/IEC 61000-4-6
<b>Shock resistance</b>	15 gn for 11 ms 30 gn for 6 ms
<b>Immunity to microbreaks</b>	10 ms
<b>Vibration resistance</b>	3.5 mm at 5...8.4 Hz on symmetrical rail 1 gn at 8.4...150 Hz on symmetrical rail 3.5 mm at 5...8.4 Hz on panel mounting 3 gn at 8.4...150 Hz on panel mounting
<b>Relative humidity</b>	10...95 %, without condensation (in operation) 10...95 %, without condensation (in storage)
<b>Ambient air temperature for operation</b>	0...55 °C (horizontal installation)
<b>Ambient air temperature for storage</b>	-25...70 °C
<b>Pollution degree</b>	$\leq$ 2
<b>Operating altitude</b>	0...2000 m
<b>Storage altitude</b>	0...3000 m

## Packing Units

<b>Unit Type of Package 1</b>	PCE
<b>Number of Units in Package 1</b>	1
<b>Package 1 Height</b>	9.466 cm
<b>Package 1 Width</b>	13.681 cm
<b>Package 1 Length</b>	14.27 cm
<b>Package 1 Weight</b>	545.0 g
<b>Unit Type of Package 2</b>	S03
<b>Number of Units in Package 2</b>	12
<b>Package 2 Height</b>	30.0 cm

Package 2 Width	30.0 cm
Package 2 Length	40.0 cm
Package 2 Weight	7.04 kg
Unit Type of Package 3	P12
Number of Units in Package 3	288
Package 3 Height	95.0 cm
Package 3 Width	80.0 cm
Package 3 Length	120.0 cm
Package 3 Weight	177.96 kg

## Offer Sustainability

Sustainable offer status	Green Premium product
REACH Regulation	<a href="#">REACH Declaration</a>
EU RoHS Directive	Pro-active compliance (Product out of EU RoHS legal scope) <a href="#">EU RoHS Declaration</a>
Mercury free	Yes
China RoHS Regulation	<a href="#">China RoHS declaration</a>
RoHS exemption information	Yes
Environmental Disclosure	<a href="#">Product Environmental Profile</a>
Circularity Profile	<a href="#">End of Life Information</a>
WEEE	The product must be disposed on European Union markets following specific waste collection and never end up in rubbish bins

# Lembar data produk

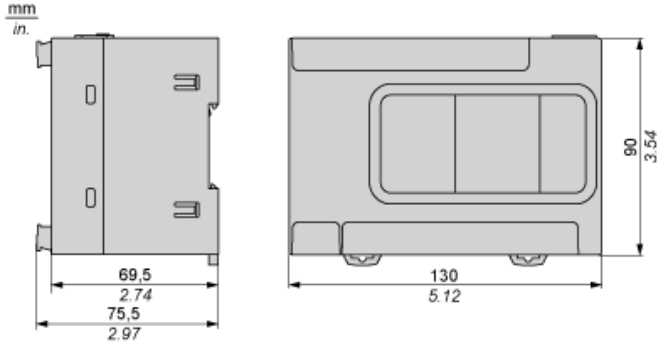
# TM100C24RN

## Dimensions Drawings

### Dimensions Drawings

---

#### Dimensions



#### Penggantian yang disarankan